



Figure 1

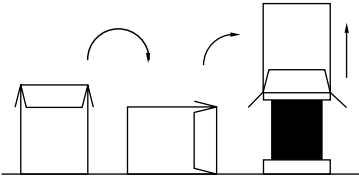


Figure 2

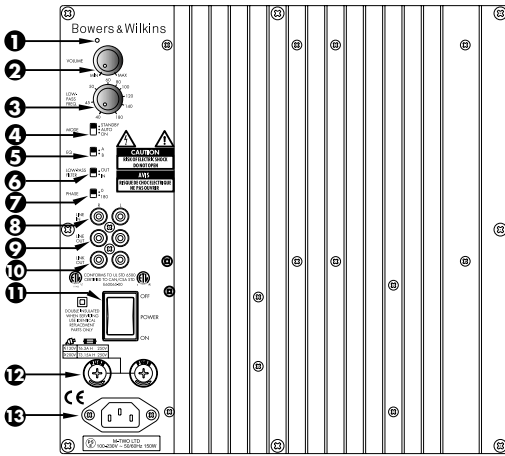


Figure 3

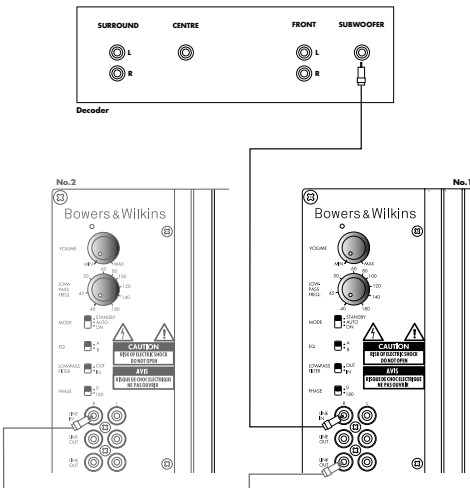


Figure 4

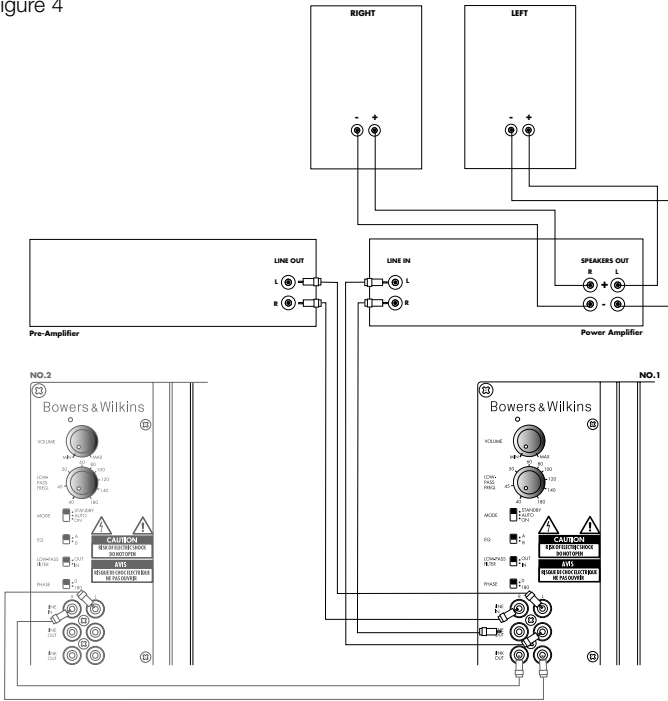
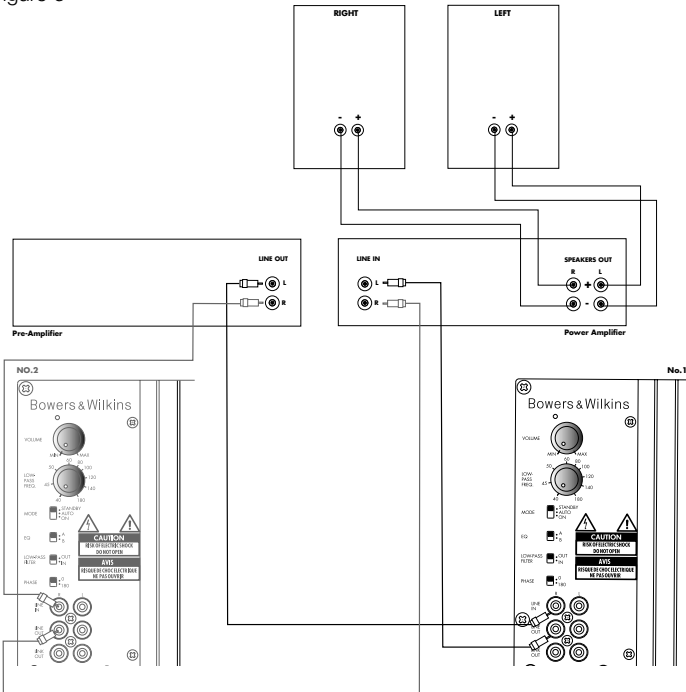


Figure 5



Contents

English

Limited Warranty.....	2
Owner's Manual.....	2

Français

Garantie limitée.....	6
Manuel d'utilisation	6

Deutsch

Beschränkte Garantie	10
Bedienungsanleitung...	11

Español

Garantía limitada.....	15
Manual de instrucciones	15

Português

Garantia limitada.....	20
Manual do utilizador....	20

Italiano

Garanzia limitata	24
Manuale di istruzioni ...	24

Nederlands

Beperkte garantie	28
Handleiding	29

Ελληνικά

Περιορισμένη εγγύηση	32
Οδηγίες Χρήσεως	33

Русский

Ограниченная гарантия.....	38
Руководство по эксплуатации	38

Norsk

Tidsbegrenset garanti.....	43
Bruksanvisning	43

Svenska

Begränsad garanti	45
Bruksanvisning	45

Suomi

Takuuehdot.....	46
Omistajan kasikirja	47

日本語

有限保証	48
取扱説明書	48

中文

有限擔保	52
用戶說明書	52

English

Limited Warranty

Dear customer,

Welcome to B&W.

This product has been designed and manufactured to the highest quality standards. However, if something does go wrong with this product, B&W Loudspeakers and its national distributors warrant free of charge labour (exclusion may apply) and replacement parts in any country served by an official B&W distributor.

This limited warranty is valid for a period of five years from the date of purchase or two years for electronics including amplified loudspeakers.

Terms and Conditions

- 1 The warranty is limited to the repair of the equipment. Neither transportation, nor any other costs, nor any risk for removal, transportation and installation of products is covered by this warranty.
- 2 This warranty is only valid for the original owner. It is not transferable.
- 3 This warranty will not be applicable in cases other than defects in materials and/or workmanship at the time of purchase and will not be applicable:
 - a for damages caused by incorrect installation, connection or packing,
 - b for damages caused by any use other than correct use described in the user manual, negligence, modifications, or use of parts that are not made or authorised by B&W,
 - c for damages caused by faulty or unsuitable ancillary equipment,
 - d for damages caused by accidents, lightning, water, fire heat, war, public disturbances or any other cause beyond the reasonable control of B&W and its appointed distributors,
 - e for products whose serial number has been altered, deleted, removed or made illegible,
 - f if repairs or modifications have been executed by an unauthorised person.
- 4 This guarantee complements any national/regional law obligations of dealers or national distributors and does not affect your statutory rights as a customer.

How to claim repairs under warranty

Should service be required, please follow the following procedure:

- 1 If the equipment is being used in the country of purchase, you should contact the B&W authorised dealer from whom the equipment was purchased.
- 2 If the equipment is being used outside the country of purchase, you should contact B&W national distributor in the country of residence who will advise

where the equipment can be serviced. You can call B&W in the UK or visit our web site to get the contact details of your local distributor.

To validate your warranty, you will need to produce this warranty booklet completed and stamped by your dealer on the date of purchase. Alternatively, you will need the original sales invoice or other proof of ownership and date of purchase.

Owner's manual

IMPORTANT SAFETY INSTRUCTIONS



Caution:

To reduce the risk of electric shock, do not remove the back panel and do not expose the apparatus to rain or moisture. No user-serviceable parts inside. Refer servicing to qualified personnel.

Explanation of Graphical Symbols:



The lightning flash within an equilateral triangle is intended to alert you to the presence of uninsulated "dangerous voltage" within the product's enclosure that may be of sufficient magnitude to constitute an electric shock to persons.



The exclamation point within an equilateral triangle is intended to alert you to the presence of important operating and maintenance (servicing) instructions in the literature accompanying the appliance.

WARNINGS:

- 1 Read Instructions – All the safety and operating instructions should be read before the appliance is operated.
- 2 Retain Instructions – The safety and operating instructions should be retained for future reference.
- 3 Heed Warnings – All warnings on the appliance and in the operating instructions should be adhered to.
- 4 Follow Instructions – All operating and use instructions should be followed.
- 5 Installation – Install in accordance with the manufacturer's instructions.
- 6 Power Sources – This product should be operated only from the type of power source indicated by the marking situated on the rear panel. If you are not sure of the type of power supply to your home, consult your product

dealer or local power company.

- 7 Grounding or Polarisation – The appliance is not required to be grounded. Ensure the plug is fully inserted into the wall outlet or extension cord receptacle to prevent blade or pin exposure. Some versions of the product are equipped with a power cord fitted with a polarised alternating line plug (a plug having one blade wider than the other). This plug will fit onto the power outlet only one way. This is a safety feature. If you are unable to insert the plug fully into the outlet, try reversing the plug. If the plug should still fail to fit, contact your electrician to replace your obsolete outlet. Do not defeat the safety purpose of the polarised plug. When using an extension power-supply cord or a power-supply cord other than that supplied with the appliance, it should be fitted with the appropriate moulded-on plugs and carry safety approval appropriate to the country of use.
- 8 Power Cord Protection – Power-supply cords should be routed so that they are not likely to be walked on or pinched by items placed on or against them, paying particular attention to cords at plugs, convenience receptacles and the point where they exit from the appliance.
- 9 Overloading – Do not overload wall outlets, extension cords or integral convenience receptacles, as this can result in a risk of fire or electric shock.
- 10 Ventilation – The amplifier panel at the rear of the product forms part of the cooling mechanism and must not be obscured by placing the product on a bed, sofa, rug, or other similar surface. Do not cover the amplifier panel with any items such as tablecloths, newspapers, etc. Ensure the heat sink fins are aligned vertically to ensure proper cooling. There should be a clear gap of at least 50mm (2-in) between the back of the product and any wall or partition. If the product is placed in a built-in installation, such as a rack, bookcase or cabinet, proper provision for air to circulate must be provided, either by a) 12mm (1/2-in) clear gap round the top, sides and bottom of the product venting into the room or b) two ducts of 150 sq cm (24 sq in) minimum cross section from the room leading to slots 300mm (12-in) wide x 50mm (2-in) deep at top and bottom of the compartment, in line with the gap behind the product.
- 11 Heat – The product should be situated away from heat sources such as radiators, heat registers, stoves, or other products (including amplifiers) that produce heat. No naked flame sources, such as lighted candles, should be placed on the apparatus.
- 12 Wall or Ceiling Mounting – The product should be mounted to a wall or ceiling only as recommended by the manufacturer.
- 13 Water and Moisture – To reduce the risk of fire or electric shock, do not

expose the product to rain or excessive moisture such as in a sauna or bathroom. Do not use this product near water – for example, near a bathtub, washbowl, kitchen sink, laundry tub, in a wet basement, or near a swimming pool and the like.

- 14 Object and Liquid Entry – Never push objects of any kind into this product through openings, as they may touch dangerous voltage points or short out parts that could result in a fire or electric shock. Never spill liquid of any kind on the product. Do not place any object containing liquid on top of the product.
- 15 Cleaning – Unplug the product from the wall outlet before cleaning. The cabinet of the subwoofer may be cleaned by dusting with a dry cloth. If you wish to use an aerosol cleaning spray, do not spray directly on the cabinet; spray onto the cloth. Remove the grille first so that the cloth does not become stained, but be careful not to disturb the drive unit. The grille itself may be cleaned using a soft brush.
- 16 Attachments – Do not use attachments not recommended by the product manufacturer, as they may cause hazards.
- 17 Accessories – Do not place this product on an unstable cart, stand, tripod, bracket or table. The product may fall, causing serious injury to a child or adult, and serious damage to the product. Use only with a cart, stand, tripod, bracket or table recommended by the manufacturer or sold with the product. Any mounting of the product should follow the manufacturer's instructions and should use a mounting accessory recommended by the manufacturer.



18 Moving the appliance – A product and cart combination should be moved with care. Quick stops, excessive force and uneven surfaces may cause the product and cart combination to overturn. Check that there are no cables under the carpet that may be damaged by the spike feet. Do not walk the product on the spike feet as this may cause them to become detached from the cabinet and cause damage. Take care not to impale yourself with the spike feet.

- 19 Non-use Periods – The power cord of the appliance should be unplugged from the outlet during lightning storms or when the apparatus is left unused for a long period of time.
- 20 Servicing – Do not attempt to service this product yourself, as opening or removing covers may expose you to dangerous voltage or other hazards. Refer all servicing to qualified service personnel.
- 21 Damage Requiring Service – Unplug this product from the wall outlet and refer servicing to qualified personnel under the following conditions:

- a When the power-supply cord or plug has been damaged.
- b If liquid has been spilled or objects have fallen into the appliance.
- c If the product has been exposed to rain or water.
- d If the product does not operate normally by following the operating instructions. Adjust only those controls that are covered by the operating instructions, as an improper adjustment of other controls may result in damage and will often require extensive work by a qualified technician to restore the product to its normal operation.
- e If the product has been dropped, or damaged in any way.
- f When the product exhibits a distinct change in performance – this indicates a need for service.

- 22 Replacement Parts – When replacement parts are required, be sure the service technician has used replacement parts specified by the manufacturer or have the same characteristics as the original part. Unauthorised substitutions may result in fire, electric shock or other hazards.



- 23 Mains Fuses – For continued protection against fire hazard, use fuses only of the correct type and rating. The amplifier is designed to operate with nominal mains supplies in the range 100V to 230V AC, but different types of fuse are used, dependent on the mains voltage. The correct fuse specification for each voltage range is marked on the product.
- 24 Safety Check – Upon completion of any service or repairs to this product, ask the service technician to perform safety checks to determine that the product is in proper operating condition.
- 25 Magnetic Fields – the product creates a stray static magnetic field. Do not place any object that may be damaged by this magnetic field (eg cathode ray tube televisions or computer monitors, audio and video tapes and swipe cards) within 0.5m (2 feet) of the appliance. The appliance may cause distortion of cathode ray tube images beyond this distance.

Introduction

Thank you for purchasing a B&W ASW Active Subwoofer.

Since its foundation in 1966, the continuing philosophy of B&W has been the quest for perfect sound reproduction. Inspired by the company's founder, the late John Bowers, this quest has entailed not only high investment in audio technology and innovation but also an abiding appreciation of music and the demands of film sound to

ensure that the technology is put to maximum effect.

This subwoofer has been designed for Home Theatre installations and to augment the bass performance of full-range speakers in 2-channel audio use. Adding the subwoofer to your system not only extends the bass to lower frequencies, it improves the midrange clarity by reducing the low-frequency demands on your existing speakers.

Please read through this manual fully before using the subwoofer. All sound installations require some planning and experimentation if you are to get the best out of the products used and this manual will guide you in this process.

As the subwoofer is connected to the electricity power supply, it is important that you familiarise yourself with the safety instructions and heed all warnings.

Keep this manual in a safe place for future reference.

B&W products are distributed to over 60 countries worldwide and we maintain an international network of carefully chosen and dedicated distributors. If you have a problem, which your dealer cannot resolve, our distributors will be more than willing to assist you.

Unpacking

(figure 1)

The easiest way to unpack the subwoofer and avoid damage is as follows:

- Open the carton flaps right back and invert the carton and contents.
- Lift the carton away from the product.

We recommend that you retain the packaging for future use.

In addition to this manual, the carton should contain:

- 1 Subwoofer
- 1 Accessory pack containing:
 - 4 Rubber feet
 - 4 Spike feet
 - 4 Lock nuts
- 1 International warranty document

A tour of the subwoofer

(figure 2)

- 1 Power/Standby indicator
- 2 VOLUME control
- 3 LOW-PASS FREQUENCY control
- 4 MODE On/Auto/Standby switch
- 5 Equalisation switch
- 6 LOW-PASS FILTER defeat switch
- 7 Phase switch
- 8 LINE IN
- 9 LINE OUT
- 10 LINK OUT
- 11 POWER on/off switch
- 12 Fuse holders
- 13 Power input socket

Positioning the subwoofer

Because the subwoofer produces only low-frequency sounds, positioning is less critical in some respects compared to full-range speakers. Directional information is much less precise and you have more choice where to place the speakers to good effect. This said, best results are obtained if the subwoofer is placed between the satellite speakers or in the vicinity of one of them. If you use two subwoofers, it is best to put one near each satellite speaker.

Placing the subwoofer behind the listeners, even in surround sound installations, generally gives inferior imaging, but may be an acceptable compromise if domestic considerations dictate.

As with all speakers, the proximity of room boundaries affects the sound. Bass is generally increased as more surfaces come into close proximity with the speakers. Unlike full-range speakers, however, you can always restore the correct overall system balance by adjusting the volume level of the subwoofer. The more boost you get from the room, the less hard the speaker has to work; but there is a down side. Corner positions often excite more low-frequency room resonances, making the bass more uneven with frequency. There is no substitute for experiment as all rooms behave differently, so try the subwoofer in a variety of positions before making a final decision. A piece of music with a bass line ascending or descending the musical scale is useful for assessing the smoothness of the bass response. Listen for exaggerated or quiet notes. Having a separate subwoofer does enable you to optimise for room resonances independently from siting the satellite speakers for best imaging.

If the subwoofer is to be used in a confined space (eg in custom furniture), the space must be ventilated to allow sufficient air to circulate and cool the unit. Ask your dealer for advice.

The subwoofer is supplied with four spike feet. The spikes pierce through carpet pile, giving a firm support directly to the floor surface without crushing the pile.

If the unit is to be placed on a vulnerable surface, such as a wooden floor, either place a protective disc under each spike or fit the four rubber feet in place of the spikes.

When fitting either the rubber feet or the spike feet, first screw the lock nuts fully onto the thread and then screw the feet fully onto the threaded inserts in the base of the cabinet. If the unit rocks, loosen the relevant two opposing feet until the support is firm, then re-tighten the lock nuts to the inserts.

Check that there are no cables under the carpet that may be damaged by the spike feet.

Do not walk the product on the spike feet as this may cause them to become detached from the cabinet and cause damage.

Take care not to impale yourself with the spike feet when moving the product.

Electrical connections

Disconnect all sound system equipment from the power supply until the signal connections have been made and checked. This avoids the risk of damage whilst connections are made or broken.

The function of the subwoofer is to receive signals from the amplification chain and, where necessary for 2-channel audio, split the signal into low bass and higher frequencies and feed the latter back out to the satellite speakers. Left and right channel inputs may be combined into a single mono low bass feed to the subwoofer drive unit if required.

The subwoofer will input and output line-level signals via the RCA Phono sockets located on the back panel.

Use the following table to select the correct wiring method for your installation:

Application: Home Theatre

The subwoofer may be used with any decoder that has a line-level subwoofer output (normally from an RCA Phono socket). Most decoders with integral power amplifiers still output the subwoofer or Low-Frequency Effects (LFE) signal at line level.

- Decoder with one or more subwoofers – fig. 3

Application: 2-channel audio

Separate pre- & power amplifiers:

- a One or more subwoofers with output combined into a single mono signal – fig. 4
- b Two subwoofers with separate left and right signal – fig. 5

The subwoofer is not suitable for use with 2-channel integrated pre/power amplifiers.

Using more than one subwoofer

Using more than one unit in a single installation can improve performance in the following ways:

- Maintain stereo separation to the lowest frequencies.
- Cope with larger listening rooms.
- Enable greater maximum sound output – often useful for effectively reproducing special effects in Home Theatre applications.
- Smooth out the effects of low-frequency room resonances.

If you are using two subwoofers for 2-channel audio, separation is improved if each channel has its own subwoofer, providing each one is placed close to the relevant satellite speaker. Only use the mono connection of figure 4 if you cannot place each subwoofer close to its satellite speaker.

Double-check the connections

Before auditioning the sound quality of your new installation and fine-tuning it, double-check the connections. All too often, users complain that they cannot get a decent sound however they set the controls, only

to discover something has been wrongly connected. Make sure that:

- The phasing is correct – there should be no positive to negative connections to the satellite speakers. If something is out of phase you may get a fuzzy sound with an imprecise and floating image, a lack of bass or a combination of the two.
- There are no left to right mix-ups – this can result, for example, in the orchestra being the wrong way round or, more disastrously, sounds on your Home Theatre going in the opposite direction to the action on the screen.

Switching on and off

We recommend that you switch the subwoofer on before any power amplifiers receiving signals from the subwoofer. Similarly, when switching off, switch the subwoofer off last.

The MODE standby/auto/on switch (4) does not isolate the amplifier completely from the power supply. It maintains a low-power input to an auxiliary sensing circuit.

The switch (4) operates as follows:

On:

With the switch in this position, the amplifier remains permanently on, and the light (1) glows green.

Auto:

On first switching the subwoofer to Auto, the amplifier becomes fully active and the light (1) glows green. After a period of about 5 minutes without an input signal, the amplifier automatically reverts to standby mode, and the light glows red. When an input signal is detected, the amplifier automatically becomes fully active and the light glows green.

Standby:

In this position, the amplifier is in permanent standby, and the light glows red.

If the subwoofer is to be out of use for an extended period of time, we recommend you isolate it from the power supply, either by using the POWER switch (1) or by removing the plug from the power socket.

Setting the controls

There are 5 controls to consider:

- The VOLUME control (2)
- The LOW-PASS FREQUENCY control (3)
- The PHASE switch (7)
- The LOW-PASS FILTER switch (6)
- The EQ (equalisation) switch (5)

The optimum settings depend on the other equipment used with the subwoofer. If using more than one subwoofer, ensure the controls on each one are set the same.

Use with home theatre decoders

The B&W ASW Active Subwoofer is not a THX® licensed component, but may be used with a THX® controller if desired.

- Set the decoder VOLUME control to

the half way (12 o'clock) position.

- The setting of the LOW-PASS FREQUENCY control is irrelevant.
- Set the PHASE switch initially to 0°.
- Set the LOW-PASS FILTER switch to OUT.
- Set the EQ switch initially to position A.

See also the section "Fine tuning".

If you have a THX® controller, ensure that the subwoofer function is enabled. When so configured it incorporates all the filtering and level setting required for the subwoofer in all modes. For level calibration, the internal test noise and channel level controls in the THX® controller should be used. In all cases the levels should be set to obtain 75dB SPL (C-weighted) at the listening position from the controller's internal noise test signal.

With other decoders, configure the front and surround speakers to "large" or "small" as appropriate before setting the levels. Use the internal noise test signal and volume controls of the decoder to set the levels of all the speakers. Only change the VOLUME control on the subwoofer if there is not enough range in the decoder to achieve the correct levels.

Inexpensive sound level meters are readily available from electronics stores and should be used to calibrate the levels. Refer to your decoder manual for further details on how to set the levels.

Use for 2-channel audio

- Set the VOLUME control initially to the half way (12 o'clock) position.
- Set the LOW-PASS FREQUENCY initially to 80Hz.
- Set the LOW-PASS FILTER switch to IN.
- Set the EQ switch initially to position A.
- Set the PHASE switch initially to 0°.

See also the section "Fine tuning".

Fine-tuning

There are two settings of the EQ switch. Position B is optimised to allow the subwoofer to provide the highest listening levels, while position A gives greater bass extension coupled with a tighter sound.

2-channel audio

The optimum settings of the PHASE switch and the LOW-PASS FREQUENCY control are inter-related and also dependent on the low-frequency cut-off characteristic of the satellite speakers and the relative positions of all the speakers in the installation.

Set the system up in the preferred position and play some programme with a steady bass content. The optimum setting for the LOW-PASS FREQUENCY depends on several variables; the bass performance and power handling of the satellite speakers, the number of subwoofers used and their position relative to the satellite speakers. The range 80 – 90Hz is a good starting point for the LOW-PASS frequency. Unless two subwoofers are used to

preserve separate right and left channel information and are sited close to the relevant satellite speakers, using a higher cut-off frequency may compromise the stereo image and should only be considered if the bass performance of the satellite speakers is particularly limited.

At each setting of the cut-off frequency, listen with the phase switch in both positions. The correct one is that which gives the fullest bass and that will depend on the bass characteristics of your satellite speakers and the relative distances of the subwoofer(s) and the satellite speakers to the listeners. When using more than one subwoofer, ensure that each one has its cut-off frequency and phase switch set the same way.

Set the loudness of the subwoofer relative to the satellite systems to your liking. Use a wide variety of programme material to get an average setting. One that sounds impressive on one piece may sound overpowering on another. Listen at realistic levels as the perception of balance varies with sound level.

Home theatre

The situation with home theatre is somewhat different from 2-channel audio. The subwoofer (LFE) signal is a separate channel rather than an extension of the signal to the satellite speakers. The LOW-PASS filter is switched out, because the decoder provides all the filtering for any speakers set to "small". However, the position of the phase switch must still be assessed. Normally the phase will be set to 0°, but if the subwoofer is positioned at a distance significantly different from the other speakers, or the power amplifier driving the other speakers happens to invert the signal, the 180° position may be preferable. Listen with the switch in both positions and choose the one that gives the fullest sound. If there is little difference, leave the switch at 0°.

Decoders normally have a calibrated noise signal that can be used to set the relative levels of all the speakers, making the task somewhat more straightforward than for 2-channel audio. However, do not be afraid to alter the settings to your personal preference. It is all too easy to get carried away with the capabilities of the subwoofer, especially with some special low-frequency effects. Often a more realistic portrayal, and one more satisfying in the long term, is to be had by setting the subwoofer level lower than the standard calibration level.

All applications

If you get problems with lumpy bass – if certain bass notes are exaggerated more than others – then you probably have a room interface problem and it is worth experimenting with the placement of the subwoofer. What may seem like small changes in position – 15cm (6in) or so – can have a profound effect on the sound. Try raising the subwoofer clear of the floor as well as lateral movement. The use of multiple subwoofers can smooth the effects of room resonances, as each subwoofer will tend to excite resonances at different frequencies. If you alter the relative

distances from the subwoofer(s) and satellite speakers to the listeners appreciably, reassess the phase switch setting. You should also check the level setting of the subwoofer (using either the decoder output levels or the volume control on the subwoofer amplifier as appropriate), but only after setting the phase correctly.

Taking care of the subwoofer

The cabinet of the subwoofer may be cleaned by dusting with a dry cloth. If you wish to use an aerosol cleaning spray, do not spray directly on the cabinet; spray onto the cloth. Remove the grille first so that the cloth does not become stained, but be careful not to disturb the drive unit. The grille itself may be cleaned using a soft brush.

Do not use the subwoofer as a table. When in use, objects left on top of the subwoofer are liable to rattle. In particular, avoid the risk of liquids being spilled (eg from drinks or vases of flowers).

If the system is taken out of use for a long period, disconnect the subwoofer from the power supply.

Note: The subwoofer will automatically shut down if driven excessively. If this occurs, re-set the subwoofer by turning it off then on again, using the power on/off switch on the amplifier panel.

Français

Garantie limitée

Cher Client,

Bienvenue à B&W.

Ce produit a été conçu et fabriqué en vertu des normes de qualité les plus rigoureuses. Toutefois, en cas de problème, B&W Loudspeakers et ses distributeurs nationaux garantissent une main d'œuvre (exclusions possibles) et des pièces de rechange gratuites dans tout pays desservi par un distributeur agréé de B&W.

Cette garantie limitée est valide pour une période de cinq ans à compter de la date d'achat ou une période de deux ans pour les composants électroniques, y compris les haut-parleurs amplifiés.

Conditions

- 1 La garantie est limitée à la réparation de l'équipement. Les frais de transport ou autres, les risques associés à l'enlèvement, au transport et à l'installation des produits ne sont pas couverts par cette garantie.
- 2 La garantie est exclusivement réservée au propriétaire d'origine et ne peut pas être transférée.
- 3 Cette garantie ne s'applique qu'aux produits faisant l'objet de vices de matériaux et/ou de construction au moment de l'achat et ne sera pas applicable dans les cas suivants :
 - a détériorations entraînées par une installation, connexion ou un emballage incorrect,
 - b détériorations entraînées par un usage autre que l'usage correct décrit dans le manuel de l'utilisateur, la négligence, des modifications ou l'usage de pièces qui ne sont pas fabriquées ou agréées par B&W,
 - c détériorations entraînées par un équipement auxiliaire défectueux ou qui ne convient pas,
 - d détériorations résultant de : accidents, foudre, eau, chaleur, guerre, troubles de l'ordre public ou autre cause ne relevant pas du contrôle raisonnable de B&W ou de ses distributeurs agréés,
 - e les produits dont le numéro de série a été modifié, effacé, éliminé ou rendu illisible,
 - f les produits qui ont été réparés ou modifiés par une personne non autorisée.
- 4 Cette garantie vient en complément à toute obligation juridique nationale / régionale des revendeurs ou distributeurs nationaux et n'affecte pas vos droits statutaires en tant que client.

Comment faire une réclamation en vertu de la garantie

Veillez respecter la procédure ci-dessous, si vous souhaitez faire une réclamation sous garantie :

- 1 Si l'équipement est utilisé dans le pays d'achat, veuillez contacter le distributeur agréé de B&W qui a vendu l'équipement.
- 2 Si l'équipement est utilisé dans un pays autre que le pays d'achat, veuillez contacter le distributeur national B&W du pays de résidence, qui vous indiquera où vous pouvez faire réparer l'équipement. Vous pouvez appeler B&W au Royaume-Uni ou consulter notre site Web pour obtenir les coordonnées de votre distributeur local.

Afin de valider votre garantie, vous devrez présenter ce livret de garantie qui aura été rempli et tamponné par votre revendeur le jour de l'achat. En l'absence de ce livret, vous devrez présenter l'original de la facture commerciale ou une autre preuve d'achat et de la date d'achat.

Manuel d'utilisation

IMPORTANTES INSTRUCTIONS CONCERNANT LA SÉCURITÉ



Attention :

Pour réduire le risque d'électrocution, ne pas démonter le panneau arrière et ne pas exposer l'appareil à l'humidité ou à la pluie. Il n'y a aucun élément susceptible d'être modifié par l'utilisateur à l'intérieur. Adressez-vous toujours à un technicien agréé.

Explication des symboles graphiques :



L'éclair dans un triangle équilatéral indique la présence interne de tensions électriques élevées susceptibles de présenter des risques graves d'électrocution.



Le point d'exclamation dans un triangle équilatéral indique à l'utilisateur la présence de conseils et d'informations importantes dans le manuel d'utilisation accompagnant l'appareil. Leur lecture est impérative.

PRÉCAUTIONS IMPORTANTES :

- 1 Lisez ce manuel d'utilisation – Tous les conseils de sécurité et de fonctionnement doivent être attentivement lus avant de faire fonctionner l'appareil.

- 2 Conservez ce manuel – Vous devez pouvoir vous y référer dans le futur, notamment pour les instructions concernant la sécurité.
- 3 Suivez les recommandations – Toutes les recommandations concernant la sécurité durant le fonctionnement doivent être rigoureusement suivies.
- 4 Suivez les instructions de fonctionnement – Veillez exclusivement vous conformer aux instructions qui suivent, concernant l'utilisation et les réglages de cet appareil.
- 5 Installation – Veillez respecter les consignes données par le constructeur.
- 6 Alimentation – Cet appareil doit exclusivement être alimenté suivant les caractéristiques (tension, fréquence du secteur) indiquées sur l'étiquette collée en face arrière. En cas de doute, consultez immédiatement votre revendeur.
- 7 Mise à la terre ou en phase – Cet appareil ne nécessite pas de mise à la terre. Veillez simplement à insérer complètement et fermement la prise secteur dans la prise murale. Sur certaines versions, le câble secteur fourni possède des fiches avec détrompeur (une lame est plus large que l'autre) nécessitant un sens d'orientation précis, en fonction des normes de sécurité en vigueur dans les pays concernés. Dans tous les cas, si vous désirez utiliser un cordon prolongateur, assurez-vous qu'il répond bien aux normes de sécurité en vigueur dans le pays d'utilisation, et qu'il répond aux caractéristiques (puissance) du caisson de grave. En cas de doute, consultez un électricien agréé.
- 8 Précautions pour le câble d'alimentation secteur – Le câble d'alimentation doit être placé de telle manière qu'il ne subisse aucun coude ou pincement, ou toute contrainte susceptible de l'arracher accidentellement de sa prise ou de le détériorer.
- 9 Surcharge – Ne surchargez jamais une prise murale en tentant d'y brancher plus d'appareils (via des cordons prolongateurs et prises multiples) que sa puissance ne peut en supporter. Les risques d'incendie ou d'électrocution sont importants !
- 10 Ventilation – Le panneau arrière de l'amplificateur intégré possède des ailettes de refroidissement qui en font partie intégrante et permettent son refroidissement correct. N'obstruez pas ce panneau arrière, par exemple en le plaquant contre un fauteuil ou canapé, ou toute surface non plane et rigide. Ne couvrez pas le panneau de l'amplificateur avec quelque objet que ce soit comme un tissu, un journal, etc. L'appareil ne doit pas non plus être intégré dans un meuble (bibliothèque, rack spécial, etc.), à moins qu'une ventilation générale complémentaire ait été soigneusement

prévue. Il doit y avoir un espace d'au moins 50 mm entre l'arrière de l'appareil et la cloison. Si l'appareil est intégré dans un meuble, une bibliothèque, un rack, une circulation d'air minimale doit être possible tout autour de lui, avec un espace d'environ 10 à 15 cm derrière, sur les côtés et le dessous du caisson, soit une largeur supplémentaire d'une trentaine de centimètres plus un espace d'au moins 5 cm à l'arrière et sur le dessus.



précaution. Évitez les freinages ou changements de direction trop brusques qui pourraient déstabiliser l'ensemble, entraînant la chute de l'appareil. En déplaçant l'appareil seul, prenez garde aux pointes supports de l'appareil qui pourraient détériorer moquettes, tapis et parquets, ou encore des câbles circulant sur le sol. Ne vous blessez pas vous-même avec ces pointes !

risque d'incendie, n'utilisez que des fusibles d'un type et d'une valeur conformes. L'amplificateur est conçu pour fonctionner à la tension nominale de son alimentation, dans une gamme comprise entre 100 volts et 230 volts, suivant la tension secteur indiquée. Les spécifications correctes pour chaque fusible, en fonction de la tension d'alimentation effectives, sont gravées directement sur l'appareil.

11 Chaleur – Cet appareil doit être placé loin de toute source importante de chaleur, telle que cheminée, radiateur, etc., ou même les amplificateurs de puissance dégageant aussi beaucoup de chaleur. Aucune source provoquant de flamme nue, comme celle d'une bougie, ne doit être placée directement sur l'appareil.

19 Période de non-utilisation – Le câble d'alimentation secteur doit être débranché si vous n'utilisez pas l'appareil pendant une longue période ou pendant un orage.

24 Vérifications – Après une quelconque intervention sur l'appareil par un technicien agréé, demandez à ce dernier de procéder à l'ensemble de vérifications nécessaires pour s'assurer du bon fonctionnement de l'appareil.

12 Fixation au mur ou au plafond – L'appareil ne peut être fixé au mur ou au plafond que si cela est expressément prévu et recommandé par le constructeur dans le manuel d'utilisation.

20 Réparation – Ne tentez pas vous-même la moindre réparation, en cas de problème constaté. L'ouverture de l'appareil peut entraîner de graves risques d'électrocution. Adressez-vous toujours à un technicien agréé.

25 Champs magnétiques – L'appareil peut éventuellement générer un champ magnétique et de l'électricité statique. Ne le placez donc pas à plus de 50 centimètres d'un appareil pouvant être abimé par ce champ magnétique (tube cathodique de téléviseur, cassettes audio ou vidéo, cartes magnétiques, etc.).

13 Eau et humidité – N'utilisez pas cet appareil près d'une source humide ou de l'eau – par exemple dans une salle de bains, près d'une piscine, dans un local très humide (présence de vapeur d'eau ou de condensation), etc.

21 Service après vente – Débranchez impérativement l'appareil de sa prise secteur et adressez-vous immédiatement à votre revendeur agréé dans les cas suivants :

a Lorsque le câble secteur ou sa prise ont été endommagés.

b Si du liquide ou des objets sont tombés à l'intérieur de l'appareil.

c Si l'appareil a été directement exposé à la pluie ou à n'importe quel liquide.

d Si l'appareil, après avoir suivi les instructions concernant son fonctionnement, ne marche pas normalement. N'utilisez que les commandes expressément citées dans ce manuel d'utilisation, et dans les conditions de fonctionnement indiquées. Une tentative de fonctionnement autre que celui expressément conseillé peut entraîner des dégradations nécessitant l'intervention longue et coûteuse d'un technicien agréé.

e Si l'appareil est tombé, ou a été endommagé de quelque manière que ce soit.

f Si l'appareil présente un changement manifeste dans son fonctionnement et ses performances, nécessitant manifestement l'intervention d'un réparateur agréé.

15 Entretien – Débranchez toujours l'appareil de l'alimentation secteur avant de le nettoyer. Le coffret de l'appareil sera dépoussiéré avec un chiffon sec. Si vous désirez utiliser un produit de nettoyage en aérosol, ne pulvérisez pas directement sur l'appareil, mais sur le chiffon uniquement. Retirez tout d'abord le panneau frontal pour éviter de mettre des peluches sur celui-ci, mais prenez soin à ne pas abîmer le haut-parleur. Ce panneau frontal peut, lui, être nettoyé avec une brosse très douce.

16 Fixations – N'utilisez pas de systèmes de fixation pour l'appareil, autre que ceux expressément éventuellement recommandés par le constructeur, sous peine de détérioration irrémédiable.

22 Remplacement de pièces – Lorsque le remplacement de certaines pièces ou composants est nécessaire, adressez-vous toujours à un technicien qualifié et agréé. Veillez à ce que les pièces de remplacement soient rigoureusement conformes aux pièces d'origine. Des pièces différentes peuvent entraîner des risques d'électrocution, d'incendie et un fonctionnement non correct de l'appareil.

17 Accessoires – Ne placez pas cet appareil sur un pied, tripode, meuble instable, etc. Il pourrait tomber, pouvant causer ainsi des blessures graves à un adulte comme à un enfant, et être irrémédiablement lui-même détérioré. N'utilisez des modes de surélévation expressément éventuellement recommandés par le constructeur.



18 Transport – L'appareil peut être transporté en utilisant un chariot adapté, mais en procédant avec

23 Fusibles de protection générale – Pour une protection parfaite contre tout

Introduction

Nous vous remercions d'avoir choisi un Subgrave B&W.

Depuis la création de notre entreprise en 1966, notre philosophie a toujours été la recherche de la perfection absolue. Inspiré par son fondateur, le regretté John Bowers, cette extraordinaire aventure n'a pas seulement conduit à de très lourds investissements consacrés à la recherche et à l'innovation, mais aussi à une profonde connaissance de la musique et des particularités du son cinématographique. Cette connaissance nous permet de nous assurer que la technologie sera toujours utilisée au service du meilleur résultat possible et non à la technique pour la technique.

Ce Subgrave a été spécialement conçu pour les installations de cinéma domestique, mais aussi pour améliorer efficacement la reproduction des basses d'un système stéréophonique à deux canaux. L'emploi d'un tel subgrave n'apporte pas seulement une réponse plus étendue vers les très basses fréquences, il améliore la reproduction du médium grâce à la moindre sollicitation des enceintes principales dans le grave.

Veillez lire attentivement et totalement cette notice avant d'utiliser votre Subgrave. Toute installation sonore requiert un minimum d'attention et d'expérimentation si l'on souhaite en tirer le meilleur parti ; ce manuel vous guidera dans cette voie.

Avant de raccorder le Subgrave au réseau électrique, il est important que vous preniez connaissance des consignes de sécurité pour vous sensibiliser à tout signe anormal ou alarman.

Rangez ce guide de manière à le retrouver facilement pour de futures consultations.

La distribution de B&W est assurée dans plus de 60 pays à travers le monde. Nous entretenons un réseau d'importateurs sélectionnés avec la plus grande attention. Quelque soit le problème qu'un revendeur

ne saurait régler, n'hésitez jamais à contacter votre agent national pour qu'il puisse vous assister.

Déballage

(figure 1)

Pour déballer aisément votre Subgrave tout en évitant le risque d'un choc malencontreux, veuillez procéder de la manière suivante :

- Ouvrez les abattants du carton au maximum puis retournez le colis.
- Il suffit ensuite de soulever le carton pour que l'appareil sorte de l'emballage.

Nous vous conseillons de conserver le carton et ses accessoires pour toute utilisation ultérieure.

En plus de ce manuel vous trouverez également :

- 1 Subgrave
- 1 sachet d'accessoires contenant :
 - 4 pieds en caoutchouc
 - 4 pointes de découplage
 - 4 écrous
- 1 carnet de garantie internationale

Le tour du Subgrave

(figure 2)

- 1 Indicateur de mise en service et veille
- 2 Réglage de volume
- 3 Réglage du filtre passe-bas
- 4 Commutateur Marche/Auto/ Veille
- 5 Commutateur d'égalisation (EQ)
- 6 Connexion/déconnexion du filtre passe-bas
- 7 Inverseur de phase
- 8 Prises d'entrées de la modulation
- 9 Prises de sorties de la modulation
- 10 Prises de sorties pour chaînage (link out)
- 11 Commutateur de mise en service
- 12 Porte fusible
- 13 Prise d'alimentation secteur

Positionner le Subgrave

Parce qu'il ne diffuse que de très basses fréquences et parce que les informations relatives à la localisation des sons y sont nettement moins importantes, le positionnement d'un Subgrave est beaucoup moins critique que celui d'enceintes à large bande. Vous disposez donc d'un choix plus large pour trouver l'emplacement idéal. Les meilleurs résultats sont obtenus, généralement, lorsque le subgrave est placé au milieu des enceintes satellites ou encore au voisinage immédiat de l'une d'entre elles. Lorsque vous utilisez deux subgraves, le mieux est que vous en placiez un à proximité de chaque satellite.

Le positionner derrière l'auditeur, même dans une installation "surround", procure une image généralement moins précise mais représente un compromis acceptable

quand les considérations domestiques l'emportent.

Les réflexions du son sur les parois de la pièce modifient la qualité de reproduction de toute enceinte acoustique car les murs et le sol qui se trouvent à proximité immédiate amplifient les basses. Cependant et contrairement à ce qui se passe avec les modèles à large bande, vous pourrez toujours rééquilibrer la balance sonore d'un ensemble utilisant un subgrave actif. Pour cela, il suffit d'ajuster le niveau sonore du caisson de grave et tout rentrera dans l'ordre. Il peut être tentant de rechercher l'amplification acoustique maximale en approchant le subgrave des angles de la pièce. Ceux-ci comportent trois parois (le sol et deux murs) qui amplifient très avantageusement et très efficacement les basses. Ce procédé permet de réduire la puissance du subgrave et, par voie de conséquence, le travail du haut-parleur lui-même. C'est une voie qu'il faudra, cependant, emprunter avec beaucoup de prudence car la position en encoignure n'est pas nécessairement la meilleure pour ce qui concerne les résonances de salle. Mal contrôlées, celles-ci peuvent altérer gravement la régularité de la réponse en fréquences. Il n'existe pas de meilleur procédé que l'expérimentation, chaque salle étant très différente d'une autre. Vous devez explorer une grande variété d'emplacements avant de faire votre choix définitif. Utiliser un extrait musical avec un instrument grave montant et descendant la gamme est très utile pour juger l'équilibre des basses. Écoutez attentivement les notes très contrastées, trop faibles ou exagérément fortes. Le fait de posséder un subgrave séparé autorise une optimisation très efficace de votre installation. Vous pourrez tenir compte des résonances de la pièce tout en soignant l'image stéréophonique, parce que vous pourrez adopter un emplacement spécifique différent pour le subgrave et pour les satellites.

Si le subgrave est placé dans un espace très restreint (intégré dans un meuble par exemple), cet espace devra être ventilé afin qu'il y ait suffisamment d'air pour refroidir l'appareil ; questionnez votre revendeur à ce sujet.

Un jeu de quatre pointes de découplage est fourni avec le subgrave. Ces pointes traversent le tapis ou la moquette, dans le but de procurer une assise très ferme en recherchant un contact direct avec le sol.

Si l'appareil doit être placé sur une surface fragile (un parquet par exemple), placez un petit disque de protection sous chaque pointe ou choisissez d'utiliser les pieds en caoutchouc à la place de ces pointes.

Que vous ayez choisi l'une ou l'autre solution, vissez préalablement les écrous à fond sur les tiges filetées puis vissez à leur tour et complètement, les pieds ou pointes dans les inserts prévus à cet effet sous l'enceinte. En cas de manque de stabilité, desserrez les pieds ou pointes opposés jusqu'à l'obtention d'une parfaite stabilité. Pour terminer, bloquez les écrous contre les inserts.

Contrôlez que les câbles ne risquent pas

d'être transpercés par les pointes de découplage.

Ne déplacez pas l'appareil en le faisant glisser sur ses pointes. Vous risquez de les arracher ou de causer des dégâts.

Prenez garde de ne pas vous piquer avec les pointes.

Raccordement électrique

Déconnectez les appareils du réseau électrique tant que le raccordement n'est pas totalement terminé et contrôlé. Vous empêcherez tout risque de détérioration du matériel en cours d'opération.

La fonction principale d'un subgrave actif est de recevoir le signal provenant d'une chaîne d'amplification. En stéréophonie à deux canaux, il sépare la modulation en deux bandes : les basses fréquences et les hautes fréquences, ces dernières sont dirigées vers les enceintes satellites. Les basses des canaux gauche et droit sont m élargées en une seule voie mono, reproduite par l'unique haut-parleur de basses.

Notre subgrave offre une grande flexibilité d'utilisation. Il autorise deux modes de raccordements distincts : soit à partir d'un préamplificateur, en le connectant aux embases RCA, soit à partir d'un amplificateur, en le raccordant aux connecteurs de 4 mm que vous trouverez sur le panneau arrière.

Reportez-vous au tableau suivant afin de choisir la formule de raccordement convenable.

Application: Home Cinéma

Le subgrave peut être utilisé avec n'importe quel décodeur possédant une sortie ligne "subwoofer" (généralement par une prise RCA). La majorité des décodeurs avec amplificateurs intégrés du marché possèdent cette prise.

- Décodeur avec un ou plusieurs subgraves – fig. 3

Application: 2 canaux audio

Préamplificateur et amplificateur indépendants :

- a Equipement : d'un ou plusieurs subgraves en monophonie : fig. 4
- b Equipement : deux subgraves avec signaux gauche et droit séparés : fig. 5

Ce subgrave n'est pas prévu pour être utilisé avec un amplificateur stéréophonique intégré, à moins qu'il ne possède une sortie directe du préamplificateur.

Utilisation de plusieurs Subgraves

L'utilisation de plusieurs subgraves dans une seule installation est bénéfique dans les cas suivants :

- Quand vous souhaitez maintenir une séparation stéréophonique jusqu'aux très basses fréquences.
- Lorsque vous avez une très grande salle à sonoriser.

- Lorsque vous cherchez à obtenir une puissance sonore plus importante, particulièrement lorsque vous souhaitez reproduire les effets du Home Cinéma avec une très grande efficacité.
- Lorsque vous devez atténuer les effets gênants des résonances de votre salle d'écoute.

Si vous utilisez deux subgraves sur une installation à deux canaux, la séparation stéréophonique est améliorée si chaque canal possède son propre subgrave, placé à proximité du satellite correspondant. N'employez la configuration mono de la figure 4 qu'au cas où vous ne pourriez pas rapprocher les subgraves des satellites.

Double contrôle des connexions

Avant de profiter de la qualité sonore de votre nouvelle installation et d'en optimiser finement les réglages, nous vous recommandons d'effectuer un double contrôle des connexions. Trop souvent, l'utilisateur découvre qu'une simple erreur de raccordement est à l'origine d'un résultat sonore médiocre. Pour éviter toute perte de temps, assurez-vous donc :

- La phase soit correcte. Il ne faut aucune inversion de branchement positif et négatif vers les enceintes satellites. Une inversion de phase se traduit par une reproduction floue accompagnée d'une image instable et imprécise, par un manque de grave ou pire, par une combinaison des deux.
- Qu'il n'y a pas d'inversion entre les différents canaux et que chaque voie d'amplification est bien raccordée au haut-parleur correspondant. Le résultat obtenu pourrait être très singulier, par exemple : un orchestre disposé à l'envers ou, plus désastreux, le son de votre film se déplaçant dans la direction opposée à l'action visible à l'écran.

Mise en service

Nous vous recommandons d'allumer votre subgrave avant qu'un signal puisse être envoyé aux amplificateurs. À l'inverse, pensez à éteindre le subgrave en dernier.

Le commutateur de marche/auto/veille (4) n'isole jamais complètement l'amplificateur de l'alimentation qui fournit toujours une faible tension à un circuit sensitif auxiliaire.

Le commutateur (4) fonctionne de la manière suivante :

On : Lorsque le commutateur est sur cette position, l'amplificateur est en permanence en mode actif et le témoin lumineux (1) s'éclaire en vert.

Auto : Lorsque vous commutez pour la première fois le subgrave en position "Auto", l'amplificateur passe en mode totalement actif et le témoin lumineux (1) s'éclaire en vert. Après une période d'inactivité de 5 minutes environ, l'amplificateur passe automatiquement en mode veille et le témoin lumineux s'éclaire en rouge. Dès qu'un signal est détecté, l'amplificateur se commutera à nouveau en mode actif et le

témoin lumineux s'éclaire en vert.

Standby : Dans cette position, l'amplificateur est en veille permanente, le témoin lumineux est vert.

Lorsque le subgrave ne doit pas être utilisé pendant une période assez longue, nous recommandons de l'isoler du réseau électrique en utilisant le commutateur d'arrêt (1) ou en retirant le cordon d'alimentation électrique.

Réglages

5 contrôles doivent être pris en considération :

- Le réglage de volume (2)
- Le réglage de la fréquence de coupure (3)
- Le commutateur de phase (7)
- Le commutateur de filtre passe-bas (6)
- Le commutateur d'égalisation "EQ" (5)

L'optimisation des réglages dépend beaucoup des caractéristiques des appareils associés à votre subgrave. En cas d'utilisation de plusieurs saisons de basses, assurez-vous que tous leurs réglages sont identiques.

Utilisation du subgrave avec un décodeur Home cinéma

Bien que le subgrave actif B&W ne soit pas certifié THX®, il peut être employé avec un contrôleur THX®.

- Réglez son volume à mi-course (12 heures).
- Le réglage de la fréquence de coupure (2) est sans effet.
- Commutez le réglage de phase (6) sur 0°.
- Placez le commutateur "LOW PASS FREQUENCY" en position "OUT".
- Placez le commutateur "EQ" en position A.

Reportez-vous également à la rubrique "réglages fins". Si vous possédez un contrôleur THX®, assurez-vous que sa fonction "subwoofer" est activée. Ainsi configuré, ce dernier dispose des filtres et réglages de niveau adaptés au subgrave pour tous les modes. Pour le calibrage, seuls le générateur de bruit intégré au contrôleur THX® ainsi que ses réglages de niveau devront être employés. Vous devez relever une pression acoustique de 75 dB (pondéré C) à la position d'écoute pour chacune des enceintes.

Avec les autres décodeurs, choisissez la configuration "small" ou "large", la plus appropriée, avant de débiter les réglages. Utilisez le générateur et les réglages intégrés au décodeur pour calibrer les différentes enceintes du système. N'employez le réglage de volume du subgrave qu'au cas où la plage de réglage du décodeur est trop limitée pour vous permettre d'obtenir le niveau sonore souhaité.

Si vous souhaitez obtenir un réglage de grande précision, nous vous

recommandons d'acquérir l'un de ces sonomètres très abordables que l'on trouve dans les magasins de pièces détachées électroniques; il s'agit d'un instrument totalement indispensable et vraiment peu coûteux.

Utilisation en deux canaux audio

- Réglez le volume à mi-course (12 heures).
- Réglez le filtre passe-bas (low pass frequency) sur 80 Hz.
- Placez le commutateur "low pass frequency" sur "IN".
- Placez le commutateur "EQ" en position A.
- Commutez la phase (6) sur 0°.

Reportez-vous également à la rubrique "Réglages fins".

Réglages fins

Le commutateur d'égalisation propose deux réglages. La position B est destinée à l'écoute à très haut niveau sonore. La position A offre une plus grande étendue et un excellent contrôle des fréquences basses.

2 canaux audio

Le réglage optimal de la phase ainsi que le réglage du filtre passe-bas sont interdépendants. Ils dépendent également de la coupure basse des satellites ainsi que de la disposition relative des différentes enceintes dans la pièce.

Réglez le système de façon préférentielle et écoutez un programme riche en basses. Le meilleur compromis dépend de nombreux facteurs tels que : les performances et la tenue en puissance des satellites, le nombre de subgraves, leur position relative aux satellites. La gamme de 80 – 90Hz est un bon point de départ en tant que fréquence de coupure. A moins d'utiliser deux subgraves placés très près des satellites pour préserver la séparation gauche/droite, le choix d'une fréquence plus élevée risque de compromettre l'image stéréophonique et ne doit être envisagée que si les satellites ont des performances vraiment très limitées dans les basses.

Pour bien régler votre système, commencez par ajuster la puissance du subgrave à votre goût puis affinez ce réglage en utilisant la plus large variété d'enregistrements. Cette méthode est préférable si vous voulez parvenir aux meilleurs résultats, car tout réglage ne convenant qu'à un seul enregistrement peut se révéler très mauvais avec un autre.

Procédez en plusieurs étapes, en ménageant certaines périodes de repos et surtout effectuez toutes vos écoutes au niveau sonore le plus réaliste possible. La perception de l'équilibre tonal varie considérablement avec le niveau de reproduction et la fatigue auditive, vous limiterez ainsi les risques d'erreurs.

Vous devez chercher à obtenir une restitution équilibrée, sans exagération ni insuffisance des basses. Vous pouvez être amené à retoucher, légèrement, la fréquence de coupure si le réglage de

volume seul ne suffit pas à obtenir l'équilibre parfait. Pour chaque nouveau réglage du filtre passe-bas, écoutez le résultat obtenu en testant chacune des deux positions du commutateur de phase. Le bon réglage de phase est celui qui procure les basses les plus puissantes. Il dépend évidemment des performances des satellites dans la grave et de leur position relative par rapport au(x) subgrave(s) et à l'auditeur.

Home cinéma

La situation en "home cinéma" est assez différente de celle des deux canaux audio. Le signal très basses-fréquences (LFE) doit être considéré davantage comme un canal séparé plutôt que comme une extension des satellites. Le filtre PASSE-BAS doit être désactivé, parce que le décodeur assure tout le filtrage nécessaire aux enceintes lorsqu'il est configuré en mode "small". Malgré tout, il peut être nécessaire de jouer sur la polarité acoustique avec le commutateur de phase. Normalement, la phase doit être réglée en position 0° mais, si le subgrave se trouve à une distance assez différente des autres enceintes ou si l'amplificateur chargé d'alimenter ces autres enceintes inverse le signal, la position 180° pourra être préférée. Ecoutez en utilisant les deux positions et choisissez celle qui fournit son le plus complet. Les décodeurs disposent généralement d'un générateur de bruit calibré pouvant être utilisé pour ajuster le niveau relatif de toutes les enceintes, rendant l'opération de réglage plus aisée qu'en deux canaux.

Ne soyez pas inquiets et n'hésitez pas à réajuster les niveaux en fonction de vos préférences. Il est très facile se laisser emporter par les possibilités d'un subgrave. En général, la reproduction la plus réaliste et la plus satisfaisante à long terme est obtenue en ajustant le subgrave en dessous niveau standard de calibration.

Autres applications

Si vous ne parvenez pas à un équilibre satisfaisant, si le grave semble gonflé ou si certaines notes sont reproduites avec exagération tandis que d'autres sont à peine audibles, c'est que vous vous trouvez, probablement, en présence de problèmes d'interface avec la salle d'écoute. Vous aurez avantage, dans ce cas, à reconsidérer l'emplacement du subgrave. Un simple déplacement de 15 cm peut avoir effet spectaculaire sur la qualité sonore. Essayez également de le surélever. L'utilisation de plusieurs subgraves est bénéfique car elle atténue les effets de résonance de la salle. Positionnés à des places différentes, ces subgraves excitent aussi des fréquences différentes. Les résonances sont donc moins exagérées, voire même masquées. Le son est enrichi, beaucoup plus naturel et surtout moins coloré. Attention ! une modification appréciable de distance relative entre le ou les subgraves, satellites et l'auditeur nécessite, à chaque fois, un nouveau contrôle de la phase. Si vous êtes amené à modifier les raccordements entre le subwoofer et les autres appareils, en utilisant les connexions pour préamplificateur à la place des connexions pour

amplificateur, ou inversement, il est indispensable de contrôler à nouveau le réglage de phase. Le subgrave comporte, effet, un filtre passe-haut non réglable qui est destiné au raccordement idéal des satellites. La pente d'atténuation de ce filtre passe-haut varie selon que l'on utilise le circuit pour amplificateur ou pour préamplificateur. C'est cette différence qui se traduit par une modification tout à fait normale de la phase. Il faut, également procéder à la vérification systématique du niveau du subgrave. Celui-ci peut varier selon que vous l'avez approché ou éloigné de la zone d'écoute (l'emploi du réglage interne du décodeur ou du réglage de volume du subgrave conviennent tous les deux car ils produisent exactement le même effet). Ce dernier contrôle ne doit s'opérer qu'après vérification de la phase.

Prenez soin de votre subgrave

L'ébénisterie du subgrave s'entretient à l'aide d'un chiffon doux et sec. Vous pouvez utiliser un produit d'entretien en aérosol à condition de le vaporiser sur le chiffon, jamais directement sur l'appareil. Retirez la grille pour éviter de la tâcher, tout en prenant garde de ne pas endommager le transducteur. Cette grille se nettoie simplement avec une brosse douce.

N'utilisez jamais le subgrave en tant que table basse. Pendant le fonctionnement de l'appareil tous les objets posés sur le dessus sont en mesure de vibrer et de créer des bruits parasites gênants. Evitez, tout particulièrement, de renverser du liquide (boissons ou eau d'un vase).

Si vous ne devez pas employer votre subgrave pendant une assez longue période, pensez à le déconnecter du réseau électrique.

Notes : Le subgrave s'éteint automatiquement lorsqu'il est utilisé de manière excessive. Si cela vous arrivait, vous pouvez le réinitialiser en l'éteignant puis en le rallumant de nouveau par le biais du commutateur marche/arrêt.

Deutsch

Garantie

Sehr geehrte Kundin, sehr geehrter Kunde, willkommen bei B&W.

Dieses Produkt wurde nach den höchsten Qualitätsstandards entwickelt und hergestellt. Sollte dennoch der unwahrscheinliche Fall eintreten, dass Sie als Kunde Grund zur Reklamation haben, werden B&W Loudspeakers und seine nationalen Vertriebsgesellschaften das fehlerhafte Produkt ohne Berechnung der Arbeits- und Materialkosten (abgesehen von einigen Ausnahmen) in jedem Land, in dem eine offizielle B&W-Vertriebsgesellschaft vertreten ist, reparieren.

Die Garantiezeit beträgt fünf Jahre ab Kaufdatum bzw. zwei Jahre ab Aktivlautsprecher und elektronische Bauteile.

Garantiebedingungen

- 1 Die Garantie ist auf die Reparatur der Geräte beschränkt. Weder der Transport noch sonstige Kosten, nach das Risiko des Ausbaus, des Transports und der Installation der Produkte wird von dieser Garantie abgedeckt.
- 2 Diese Garantie gilt nur für den Originalbesitzer. Sie ist nicht übertragbar.
- 3 Diese Garantie ist nur dann gültig, wenn zum Zeitpunkt des Kaufs Fabrikations- und/oder Materialfehler vorliegen und nicht:
 - a bei Schäden durch unfachmännische Installation, falsches Anschließen oder unsachgemäßes Verpacken,
 - b bei Schäden, die auf einen nicht in der Bedienungsanleitung genannten Einsatzzweck, auf Fahrlässigkeit, Modifikationen oder die Verwendung von Teilen zurückzuführen sind, die nicht von B&W hergestellt bzw. zugelassen wurden,
 - c bei Schäden durch defekte oder ungeeignete Zusatzgeräte,
 - d bei Schäden durch Unfälle, Blitzschlag, Wasser, Feuer, Hitze, Krieg, öffentliche Unruhen oder sonstige Ereignisse, die nicht der Kontrolle von B&W und seinen Vertriebsgesellschaften unterliegen,
 - e für Produkte, deren Seriennummern geändert, gelöscht, entfernt oder unleserlich gemacht wurden,
 - f wenn Reparaturen oder Modifikationen von einem Nichtfachmann durchgeführt wurden.
- 4 Diese Garantie ergänzt die nationalen/regionalen gesetzlichen Verpflichtungen der Händler bzw. der nationalen Vertriebsgesellschaften und schränkt in keiner Weise die gesetzlichen Rechte, die Sie als Kunde haben, ein.

Inanspruchnahme von Garantieleistungen

Sollten Sie unseren Service in Anspruch nehmen müssen, gehen Sie bitte folgendermaßen vor:

- 1 Befindet sich das Gerät in dem Land, in dem Sie es gekauft haben, setzen Sie sich mit Ihrem autorisierten B&W-Fachhändler in Verbindung.
- 2 Befindet sich das Gerät außerhalb des Landes, in dem Sie es gekauft haben, wenden Sie sich bitte an die nationale B&W-Vertriebsgesellschaft des Landes, in dem Sie leben. Diese wird Ihnen Auskunft darüber geben, wo Sie das Gerät reparieren lassen können. Die Adresse der für das jeweilige Land zuständigen Vertriebsgesellschaft erhalten Sie bei B&W in Großbritannien oder über unsere Website.

Garantieleistungen werden nur erbracht, wenn dieses Garantie-Booklet (vollständig ausgefüllt und mit dem Händlerstempel und dem Kaufdatum versehen) vorgelegt wird. Ist dies nicht möglich, ist als Kaufbeleg die Originalrechnung oder ein anderer Kaufbeleg vorzulegen, aus dem auch das Kaufdatum ersichtlich wird und der Sie als Eigentümer des Gerätes ausweist.

Bedienungsanleitung

WICHTIGE SICHERHEITSHINWEISE



Vorsicht:

Um einem elektrischen Schlag vorzubeugen, sollten Sie niemals die Abdeckung an der Rückseite ausbauen oder das Gerät Regen oder Feuchtigkeit aussetzen. Im Innern befinden sich keine vom Bediener zu wartenden Teile. Der Service ist ausschließlich von einem autorisierten B&W-Fachhändler durchzuführen.

Erläuterung der grafischen Symbole:



Das Blitzsymbol innerhalb eines gleichseitigen Dreiecks warnt den Bediener vor „gefährlicher Spannung“ im Gehäuseinnern, deren Höhe für eine Gefährdung von Personen durch einen Stromschlag ausreichend ist.



Das Ausrufungszeichen innerhalb des gleichseitigen Dreiecks macht den Benutzer auf wichtige Bedienungs- und Wartungsvorschriften in der Bedienungsanleitung aufmerksam.

WARNHINWEISE:

- 1 Sicherheits- und Bedienungsvorschriften – Bitte lesen Sie sich alle Sicherheits- und Bedienungsvorschriften vor der Inbetriebnahme des Gerätes in Ruhe durch.
- 2 Bedienungsanleitung – Bewahren Sie diese Bedienungsanleitung für eine spätere Wiederverwendung gut auf.
- 3 Warnhinweise – Alle Warnhinweise auf dem Gerät und in der Bedienungsanleitung sind genau zu beachten.
- 4 Achtung – Befolgen Sie genau alle Bedienungs- und Nutzungsvorschriften.
- 5 Installation – Befolgen Sie bei der Installation genau die Angaben des Herstellers.
- 6 Stromquellen – Das Gerät ist nur an die auf der Geräterückseite angegebenen Stromquellen anzuschließen. Sollten Sie sich diesbezüglich nicht sicher sein, fragen Sie Ihren autorisierten Fachhändler oder wenden Sie sich an die örtliche Stromgesellschaft.
- 7 Erdungs- bzw. Polarisationsvorschriften – Das Gerät muss nicht geerdet werden. Schließen Sie es nur mit dem dazugehörigen zweipoligen Netzkabel an die Wandsteckdose an. Modifizieren Sie das Netzkabel auf keinen Fall. Versuchen Sie nicht, die Erdungs- und/oder Polarisationsvorschriften zu umgehen. Das Netzkabel ist an eine zweipolige Wandsteckdose anzuschließen.
- 8 Schutz des Stromkabels – Netzkabel sind so zu verlegen, dass sie nicht beschädigt werden können (z.B. durch Trittbelastung, Möbelstücke oder Erwärmung). Besondere Vorsicht ist dabei an den Steckern, Verteilern und den Anschlussstellen des Gerätes geboten.
- 9 Überlastung – Vermeiden Sie eine Überlastung der Wandsteckdosen, Verlängerungskabel usw., um Feuer oder einem elektrischen Schlag vorzubeugen.
- 10 Belüftung – Die Verstärkerabdeckung an der Geräterückseite ist Bestandteil eines Kühlungssystems und darf daher nicht verdeckt werden. Stellen Sie das Gerät daher weder auf ein Bett, Sofa, Teppich oder ähnliche Oberflächen. Legen Sie keine Tischdecken, Zeitungen usw. auf die Verstärkerabdeckung. Stellen Sie sicher, dass die Kühlrippen vertikal ausgerichtet sind, um eine ausreichende Kühlung zu gewährleisten. Lassen Sie zwischen Geräterückseite und Wand einen Abstand von mindestens 50 mm. Wird das Gerät beispielsweise in einem Rack, einem Regal oder einem Schrank untergebracht, ist eine ausreichende Luftzirkulation zu gewährleisten, indem Sie a) links und rechts sowie an der Ober- und

Unterseite des Gerätes einen Freiraum von 12 mm zum Raum lassen oder indem Sie b) zwei Lüftungssysteme mit einem Mindestdurchmesser von 150 cm² vom Raum zu 300 mm breiten x 50 mm tiefen Öffnungen an der Ober- und Unterseite des jeweiligen Möbils führen und hinter dem Gerät einen entsprechenden Freiraum lassen.

- 11 Wärme – Stellen Sie das Gerät nicht in die Nähe von Wärmequellen (Heizkörper, Wärmespeicher, Öfen oder sonstige wärmeerzeugende Geräte wie z.B. Verstärker). Wärmequellen mit offener Flamme, wie z.B. angezündete Kerzen, sollten nicht auf das Gerät gestellt werden.
- 12 Anbringung an Wand oder Decke – Das Gerät sollte nur wie vom Hersteller empfohlen an Wand oder Decke angebracht werden.
- 13 Wasser und Feuchtigkeit – Um der Gefahr eines Stromschlags vorzubeugen, sollte das Gerät niemals in der Nähe von Wasser, z.B. in der Nähe einer Badewanne, einer Spüle oder eines Swimmingpools, in Betrieb genommen werden.
- 14 Eindringen von Gegenständen und Flüssigkeit – Um die Gefahr von Feuer oder eines elektrischen Schlags auszuschließen, dürfen keine Fremdkörper oder Flüssigkeiten in das Gehäuse gelangen.
- 15 Reinigung – Ziehen Sie vor dem Reinigen des Gerätes den Netzstecker. Die Gehäuseoberfläche muss in der Regel nur abgestaubt werden. Bei Verwendung eines Aerosol-Reinigers entfernen Sie vor dem Reinigen zunächst vorsichtig die Abdeckung vom Gehäuse. Sprühen Sie den Reiniger auf ein Tuch, niemals direkt auf das Gehäuse. Die Abdeckung kann nach dem Entfernen mit einer weichen Bürste gereinigt werden.
- 16 Befestigungen – Verwenden Sie ausschließlich Befestigungsmöglichkeiten, die vom Hersteller empfohlen werden, da es ansonsten zu Störungen kommen kann.
- 17 Zubehör – Stellen Sie das Gerät nicht auf eine instabile Sackkarre, einen instabilen Ständer, einen Dreifuß, eine Halterung oder einen Tisch. Durch ein herunterfallendes Gerät können Kinder und Erwachsene schwer verletzt und das Gerät stark beschädigt werden. Verwenden Sie für den Transport oder das Aufstellen des Gerätes nur vom Hersteller empfohlenes Zubehör oder solches, das mit dem Produkt verkauft wird. Montieren Sie das Gerät nur entsprechend den vom Händler gegebenen Hinweisen und verwenden Sie ausschließlich vom Hersteller empfohlenes Zubehör.
- 18 Transport – Das Gerät sollte mit größter Vorsicht auf einer Sackkarre transportiert werden. Ruckartige Anhalten, übermäßiger Kraftaufwand und unebene Oberflächen



können zu einem Umfallen von Sackkarre samt Gerät führen. Stellen Sie sicher, dass sich unter dem Teppich keine Kabel befinden, die durch die Spikes beschädigt werden könnten. Bewegen Sie das Gerät nicht auf den Spikes, da diese sich hierbei vom Gehäuse lösen können. Dies kann zu Beschädigungen führen. Achten Sie darauf, dass Sie sich beim Heben des Gerätes nicht an den Spikes verletzen.

19 Phasen der Nichtbenutzung – Ziehen Sie den Netzstecker bei Gewitter oder wenn Sie das Gerät für eine längere Zeit nicht in Betrieb nehmen aus der Steckdose.

20 Service – Außer den in der Bedienungsanleitung beschriebenen Handgriffen sollten vom Bediener keine Arbeiten am Gerät vorgenommen werden. Das Gerät ist ausschließlich von einem qualifizierten Fachmann zu öffnen und zu reparieren.

21 Durch geschultes Fachpersonal zu reparierende Schäden – Schalten Sie das Gerät sofort aus und ziehen Sie geschultes Personal zu Rate, wenn:

- a Das Netzkabel oder der Stecker beschädigt sind.
- b Gegenstände bzw. Flüssigkeit in das Gerät gelangt sind.
- c Das Gerät Regen ausgesetzt war.
- d Das Gerät trotz Beachten der Bedienungshinweise nicht ordnungsgemäß funktioniert. Stellen Sie nur die Bedienelemente ein, die in der Anleitung entsprechend ausgewiesen sind. Ein nicht ordnungsgemäßes Einstellen anderer Bedienelemente kann zu Schäden führen, die anschließend von einem qualifizierten Techniker behoben werden müssen, um das Gerät in seinen normalen Betriebszustand zurückzusetzen.
- e Das Gerät hingefallen ist bzw. beschädigt wurde.
- f Das Gerät nicht ordnungsgemäß funktioniert bzw. eine deutliche Leistungsminderung aufweist.

22 Ersatzteile – Werden Ersatzteile benötigt, vergewissern Sie sich, dass der Servicetechniker die vom Hersteller empfohlenen Teile verwendet, oder solche, die dieselben Technischen Daten aufweisen wie das Originalteil. Nicht zugelassene Ersatzteile können zu Feuer, einem elektrischen Schlag oder sonstigen Gefahren führen.



23 Netzsicherungen – Um eine Brandgefahr auszuschließen, sind nur Sicherungen des vom Hersteller angegebenen Typs mit den vom Hersteller angegebenen Nennwerten zu verwenden. Der Verstärker ist für einen Betrieb bei Wechselspannungen von 100 bis 230 Volt ausgelegt, jedoch sind abhängig von der Netzspannung

unterschiedliche Sicherungstypen einzusetzen. Die Technischen Daten für die in den einzelnen Spannungsbereichen zu verwendenden Sicherungen sind auf dem Gerät angegeben.

24 Sicherheitsprüfung – Nach Beendigung der Service- bzw. Reparaturarbeiten bitten Sie den Servicetechniker, eine Sicherheitsprüfung durchzuführen. Dadurch wird sichergestellt, dass das Gerät ordnungsgemäß funktioniert.

25 Magnetische Streufelder – Das Gerät erzeugt ein magnetisches Streufeld. Daher empfehlen wir, einen Mindestabstand von 0,5 m zwischen magnetisch empfindlichen Artikeln (Fernseh- und Computerbildschirmen, mechanischen Armbanduhren, Audio- und Videobändern usw.) und Lautsprecher zu bewahren.

Einleitung

Vielen Dank, daß Sie sich für diesen aktiven B&W-Subwoofer ASW entschieden haben.

Seit der Gründung 1966 war B&Ws oberstes Anliegen die perfekte Klangwiedergabe. Inspiriert durch den Firmengründer John Bowers wird diesem Streben nicht nur durch hohe Investitionen in der Audio-Technologie und stetige Innovationen Rechnung getragen, sondern auch durch die Liebe zur Musik, um sicherzustellen, daß die Technologie auch in neuen Anwendungsbereichen wie HiFi-Cinema optimal eingesetzt wird.

Dieser Subwoofer ist für HiFi-Cinema-Anwendungen geeignet. In 2-Kanal-Audio-Anwendungen besteht seine Aufgabe darin, die Tieftonleistung von „Full Range“-Lautsprechern, d.h. Lautsprechern, die das komplette Klangspektrum abdecken, zu steigern. Die Verwendung dieses Subwoofers erweitert nicht nur den Baß im Tiefenbereich, sondern verbessert auch die Transparenz im Mitteltonbereich durch Entlastung der anderen Lautsprecher im Tiefenbereich.

Bitte lesen Sie sich diese Bedienungsanleitung vor Inbetriebnahme des Subwoofers aufmerksam durch. Das Aufstellen von Beschallungsanlagen verlangt einige Planung und Experimentierfreudigkeit, wenn Sie das bestmögliche Ergebnis erzielen möchten. Diese Bedienungsanleitung wird Ihnen dabei helfen.

Bevor Sie den Subwoofer an das Netz anschließen, sollten Sie sich mit den Sicherheitshinweisen vertraut machen. Beachten Sie alle Warnhinweise.

Bewahren Sie diese Bedienungsanleitung sorgfältig auf.

B&W liefert in über 60 Länder und verfügt weltweit über ein Netz erfahrener Distributoren, die Ihnen zusammen mit den autorisierten B&W-Fachhändlern weiterhelfen, um Ihnen den Musikgenuß zu Hause zu ermöglichen.

Auspacken

(Abbildung 1)

Gehen Sie beim Auspacken des Subwoofers folgendermaßen vor:

- Klappen Sie die Kartonlaschen nach hinten und drehen Sie Karton samt Inhalt um.
- Ziehen Sie den Karton vom Inhalt ab.

Wir empfehlen, die Verpackung für einen eventuellen späteren Transport aufzubewahren.

Neben dieser Bedienungsanleitung sollte der Karton enthalten:

1 Subwoofer

1 Zubehöropaket bestehend aus:

4 Gummifüßen

4 Spikes

4 Kontermuttern

1 International Warranty Booklet (Hinweise zur Garantie, mehrsprachig)

Ausstattungsmerkmale des Subwoofers

(Abbildung 2)

- 1 Power/Standby-Anzeige
- 2 Lautstärkeregler
- 3 Frequenzregelung des Low-Pass-Filters
- 4 MODE ON/AUTO/STANDBY-Schalter
- 5 EQualisation-Schalter
- 6 LOW-PASS FILTER EIN/AUS
- 7 PHASE-Schalter
- 8 LINE IN
- 9 LINE OUT
- 10 LINK OUT
- 11 POWER EIN/AUS
- 12 Sicherungshalter
- 13 Netzeingang

Positionieren des Subwoofers

Da der Subwoofer ausschließlich Bässe produziert, ist seine Positionierung in gewisser Hinsicht nicht so schwierig wie die von „Full-Range“-Lautsprechern. Die gerichtete Information ist weit weniger genau, so daß Sie von verschiedenen Positionen aus ein gutes Ergebnis erzielen können. Die besten Resultate erhalten Sie jedoch, wenn der Subwoofer zwischen die Satellitenlautsprecher oder in die Nähe eines Satellitenlautsprechers gestellt wird. Bei Verwendung von zwei Subwoofern sollte jeweils einer neben einem Satellitenlautsprecher stehen.

Eine Platzierung des Subwoofers hinter den Zuhörern führt im allgemeinen zu einer Verschlechterung des Klangbildes. Dies gilt auch für Surroundanwendungen. Jedoch kann hierin ein akzeptabler Kompromiß bestehen, falls die örtlichen Gegebenheiten es nicht anders zulassen.

Wie bei allen Lautsprechern, wird die Klangqualität des Subwoofers durch die Nähe von Wänden beeinflusst. Der Baß wird stets intensiver, je größer die Oberflächen in nächster Nähe der Lautsprecher sind. Im Gegensatz zu „Full-Range“-Lautsprechern kann die Klangbalance des Gesamtsystems einfach durch Einstellen des Subwoofer-Lautstärkereglers optimiert werden. Je größer die Verstärkung durch den Raum ist,

desto weniger muß der Subwoofer leisten. Jedoch hat dies nicht nur Vorteile. So werden tiefe Raumesonanzen durch die Plazierung in den Ecken eines Raumes verstärkt, wodurch die Tieftonwiedergabe nicht im Einklang mit der Frequenz steht. Letztendlich gibt es kein Patentrezept, da sich der Klang mit dem Raum verändert. Daher sollten Sie mehrere Positionen ausprobieren, bevor Sie Ihre Entscheidung treffen. Ein Musikstück mit längeren, variierenden Baßpassagen erleichtert die Einstellung, um schließlich eine erstklassige Tieftonwiedergabe sicherzustellen. Achten Sie auf betonte oder ruhigere Passagen. Durch die Verwendung eines weiteren Subwoofers kann der Klang der Anlage im Hinblick auf Raumesonanzen optimiert werden, und zwar unabhängig von der Plazierung der Satellitenlautsprecher zur Verbesserung des Klangbildes.

Wird der Subwoofer auf begrenztem Raum betrieben (z.B. in speziellem Mobiliar), muß für eine ausreichende Belüftung des Gerätes gesorgt werden. Lassen Sie sich von Ihrem autorisierten Fachhändler beraten.

Zum Lieferumfang des Subwoofers gehören vier Spikes. Die Spikes bohren sich durch Teppich (boden) und liegen direkt auf dem Boden auf. Ohne Beschädigungen hervorzurufen, verleihen Sie dem Subwoofer eine hervorragende Standfestigkeit.

Steht das Gerät auf einer empfindlichen Oberfläche, wie z.B. auf einem Holzfußboden, legen Sie entweder eine Schutzscheibe unter die Spikes oder bringen anstelle der Spikes die vier Gummifüße an. Beim Anbringen der Gummifüße bzw. Spikes schrauben Sie zunächst die Kontermuttern vollständig auf das Gewinde und anschließend die Füße bzw. Spikes in die Gewindebohrungen im Gehäuseboden. Steht das Gerät instabil, lösen Sie die beiden betreffenden, gegenüberliegenden Füße bzw. Spikes, bis die optimale Standfestigkeit erreicht ist. Ziehen Sie die Kontermuttern anschließend gegen die Bohrung fest.

Vergewissern Sie sich, daß unter dem Teppich(boden) keine Kabel liegen, die durch die Spikes beschädigt werden könnten.

Bewegen Sie das Gerät nicht auf den Spikes, da diese sich hierbei vom Gehäuse lösen können. Dies kann zu Beschädigungen führen.

Achten Sie darauf, daß Sie sich beim Heben des Gerätes nicht an den Spikes verletzen.

Elektrische Anschlüsse

Die zum System gehörenden Geräte sollten zunächst untereinander verbunden werden (achten Sie dabei auf die korrekte Polarität der Anschlüsse), bevor die Anlage ans Stromnetz angeschlossen wird. Dadurch können Beschädigungen vermieden werden.

Innerhalb einer Anlagenkette erhält der Subwoofer seine Informationen von den Verstärkern, trennt diese, wo es für 2-Kanal-Audio-Anwendungen erforderlich ist, in niedrige Tieftonfrequenzen und höhere Frequenzen auf und leitet die

letztenannten zurück zu den Satellitenlautsprechern. Gegebenenfalls können die Eingangssignale der rechten und linken Kanäle zusammengeführt und als ein Mono-Tiefbaßsignal dem Subwoofer-Lautsprecherchassis zugeleitet werden.

Der Subwoofer empfängt und sendet Hochpegelsignale über die Cinch-Buchsen an der Geräterückseite.

Die folgenden Hinweise helfen Ihnen beim korrekten Anschluß Ihrer Anlage:

Anwendung: HiFi-Cinema

Der Subwoofer kann mit jedem Decoder kombiniert werden, der über einen Line-Level-Subwooferausgang verfügt (dies ist in der Regel eine Cinch-Buchse). Die meisten Decoder mit eingebauter Endstufe senden die Subwoofer- oder LFE (Low Frequency Effects)-Signale über Line-Level-Anschlüsse.

- Decoder mit einem oder mehreren Subwoofern – Abbildung 3

Anwendung: 2-Kanal-Audio

Separate Vor- und Endstufen:

- a Ein oder mehrere Subwoofer mit zu einem Mono-Signal gekoppeltem Ausgangssignal – Abbildung 4
- b Zwei Subwoofer, je einer pro Kanal – Abbildung 5

Der Subwoofer ist für den Anschluß an 2-Kanal-Vollverstärker nicht geeignet.

Einsatz von mehr als einem Subwoofer

Durch die Verwendung mehr als eines Subwoofers in einem System kann:

- Eine präzise Stereokanaltrennung bis hin zu tiefsten Frequenzen sichergestellt werden.
- Die Wiedergabequalität in größeren Hörräumen optimiert werden.
- Die Wiedergabe tiefter Frequenzen verbessert werden – dies ist oftmals bei der Wiedergabe von Spezialeffekten in HiFi-Cinema-Anwendungen sinnvoll.
- Der Klang im Hinblick auf Raumesonanzen optimiert werden.

Bei Verwendung von zwei Subwoofern für 2-Kanal-Audio wird die Stereokanaltrennung verbessert, weil jeder Kanal seinen eigenen Subwoofer besitzt. Achten Sie darauf, daß jeder Subwoofer in der Nähe des jeweiligen Satellitenlautsprechers aufgestellt wird. Schließen Sie die Subwoofer wie in Abbildung 4 dargestellt an, wenn Sie die Subwoofer nicht in der Nähe des jeweiligen Satellitenlautsprechers unterbringen können.

Prüfen der Anschlüsse

Bevor Sie mit der Klangoptimierung Ihres neuen Systems beginnen und die Komponenten aufeinander abstimmen, sollten Sie noch einmal die Anschlüsse prüfen. Ist der Klang des Systems nicht optimal, obwohl die Bedienelemente des Gerätes richtig eingestellt wurden, so kann dies darauf zurückzuführen sein, daß ein

Gerät einfach nicht korrekt angeschlossen wurde. Stellen Sie daher sicher, daß:

- Die Polarität korrekt ist. Verbinden Sie die positiven Anschlußklappen der Satellitenlautsprecher stets mit den positiven Anschlüssen am Verstärker und die negativen Anschlußklappen an der Satellitenlautsprechern mit den negativen Anschlüssen am Verstärker. Ansonsten ist der Klang unpräzise mit einem ungenauen Klangbild, schwachem Baß bzw. einer Kombination aus beidem.
- Die Signale aus dem rechten und linken Kanal nicht vermischt werden – das kann z.B. dazu führen, daß die Musik eines Orchesters genau seitenverkehrt wahrgenommen wird oder, was noch schlimmer ist, daß der Ton aus Ihrer HiFi-Cinema-Anlage nicht zur Handlung auf dem Bildschirm paßt.

Ein- und Ausschalten

Wir empfehlen Ihnen, den Subwoofer einzuschalten, bevor die Verstärker Signale vom Subwoofer erhalten. Entsprechend sollte der Subwoofer als letztes Gerät ausgeschaltet werden.

Der MODE On/Auto/Standby-Schalter (4) trennt den Verstärker nicht vollständig vom Netz. Er hält ein geringes Eingangssignal für einen zusätzlichen Schaltkreis bereit.

Der Schalter (4) verfügt über die folgenden Einstellungsmöglichkeiten:

On:

Befindet sich der Schalter in dieser Position, ist der Verstärker permanent eingeschaltet.

Auto:

Wird der Schalter in die Auto-Position gesetzt, wird der Verstärker vollständig aktiviert. Liegt 5 Minuten lang kein Eingangssignal an, schaltet der Verstärker automatisch in den Standby-Modus. Wird ein Eingangssignal empfangen, wird der Verstärker automatisch aktiviert.

Standby:

In dieser Position befindet sich der Verstärker permanent im Standby-Modus.

Wird der Subwoofer über einen längeren Zeitraum nicht genutzt, empfehlen wir, ihn von der Stromversorgung zu trennen. Drücken Sie dazu entweder den POWER-Schalter oder ziehen Sie den Netzstecker.

Einstellen der Regler bzw. Schalter

Es stehen fünf Regler bzw. Schalter zur Verfügung:

- Lautstärkeregler (2)
- Regler zur Einstellung der LOW-PASS-FILTERFREQUENZ (3)
- PHASE-Schalter (7)
- LOW PASS FILTER-Schalter (6)
- EQualisation-Schalter (5)

Die optimale Einstellung hängt von den jeweils mit dem Subwoofer kombinierten Geräten ab. Stellen Sie bei Verwendung von mehr als einem Subwoofer sicher, daß die Regler und Schalter bei allen Subwoofern gleich eingestellt sind.

Kombination mit HiFi-Cinema-Decodern

Der ASW von B&W ist nicht THX®-lizenziert, kann gegebenenfalls aber auch mit einem THX®-Controller verwendet werden.

- Setzen Sie den Lautstärkeregler für den Decoder in die 12-Uhr-Position.
- Die Einstellung der LOW-PASS-FILTERFREQUENZ spielt keine Rolle.
- Setzen Sie den PHASE-Schalter zunächst auf 0°.
- Setzen Sie den Schalter LOW PASS FILTER in die Position OUT.
- Setzen Sie den EQ-Schalter zunächst in Position A.

Siehe auch Abschnitt „Feinabstimmung“ unten.

Stellen Sie bei Verwendung eines THX®-Controllers sicher, daß die Subwoofer-Funktion aktiviert ist. Bei dieser Einstellung ist gewährleistet, daß alle für den Subwoofer erforderlichen Filter- und Pegelstellungen in allen Modi verfügbar sind. Zur Pegelstellung sollten die Testton- und Kanalpegelstellmöglichkeiten des THX®-Controllers genutzt werden. In allen Fällen sollte die Pegel mit Hilfe des Testtons in Hörposition auf 75 dB SPL (C-weighting) eingestellt werden.

Bei anderen Decodern wählen Sie für die Front- und Surroundlautsprecher die Einstellung „large“ oder „small“, bevor Sie die Pegel einstellen. Nutzen Sie den internen Testton und die Lautstärkeregler des Decoders, um die Pegel aller Lautsprecher einzustellen. Ändern Sie die Einstellung des Lautstärkereglers am Subwoofer nur, wenn der Decoder nicht genügend Spielraum zur Einstellung der korrekten Pegel liefert.

Preisgünstige Schallpegelmessmer sind in Elektronik-Fachgeschäften erhältlich. Sie sollten zur Pegelstellung verwendet werden.

Im Modus 2-Kanal-Audio

- Setzen Sie den Lautstärkeregler zunächst in die 12-Uhr-Position.
- Setzen Sie den Regler für die LOW-PASS-FILTERFREQUENZ zunächst auf 80 Hz.
- Setzen Sie den Schalter LOW PASS FILTER in die IN-Position.
- Setzen Sie den EQ-Schalter zunächst in Position A.
- Setzen Sie den PHASE-Schalter zunächst auf 0°.

Siehe auch Abschnitt „Feinabstimmung“ unten.

Feinabstimmung

Der EQ-Schalter bietet zwei Einstellmöglichkeiten. Position B ermöglicht dem Subwoofer die Wiedergabe höchster Pegel, während Position A eine verstärkte Tieftonwiedergabe ermöglicht.

2-Kanal-Audio

Es besteht ein Zusammenhang zwischen der optimalen Einstellung des PHASE- und des LOW-PASS-FREQUENCY-Reglers, die ferner auch von der Tiefton-Trennfrequenz der Satellitenlautsprecher und der relativen Positionen aller Lautsprecher eines Systems abhängt.

Setzen Sie das System in die von Ihnen bevorzugte Position und spielen Sie Stücke mit kontinuierlichen Baßpassagen. Die optimale Einstellung für die LOW-PASS-FREQUENCY hängt von mehreren Variablen ab: den Möglichkeiten der Satellitenlautsprecher bei der Wiedergabe tiefer Frequenzen, der Nennbelastbarkeit der Satellitenlautsprecher, der Anzahl der verwendeten Subwoofer und ihrer relativen Position zu den Satellitenlautsprechern. Der Bereich zwischen 80 und 90 Hz ist ein guter Ausgangspunkt für den LOW-PASS-Filter. Werden nicht zwei Subwoofer zur Signalübertragung des linken und rechten Kanals verwendet und in der Nähe des jeweiligen Satellitenlautsprechers aufgestellt, kann eine höhere Trennfrequenz zu einem schlechteren Stereoklangbild führen und sollte nur in Betracht gezogen werden, wenn die Tieftonwiedergabe der Satellitenlautsprecher ausgesprochen begrenzt ist.

Bei jeder Einstellung der Trennfrequenz sollte der Phase-Schalter in beide Positionen gesetzt und ein Hörtest gemacht werden. Bei korrekter Einstellung klingt der Baß voller. Das hängt von der Tieftoncharakteristik der Satellitenlautsprecher und der relativen Entfernung von Subwoofer(n) und Satellitenlautsprechern zu den Zuhörern ab. Bei Einsatz von mehr als einem Subwoofer sollten Sie sicherstellen, daß Trennfrequenz und Phase-Schalter jeweils gleich eingestellt sind.

Stellen Sie die Lautstärke des Subwoofers so ein, daß sie im Einklang mit den Satellitenystemen steht. Nutzen Sie dazu eine große Programmbreite, um eine optimale Einstellung zu gewährleisten. Was bei einem Stück beeindruckend klingt, kann bei einem anderen als unangenehm empfunden werden. Hören Sie bei normalen Lautstärken, da sich die Wahrnehmung der Balance mit dem Schallpegel verändert.

HiFi-Cinema

HiFi-Cinema-Anwendungen unterscheiden sich in gewisser Weise von 2-Kanal-Audio-Anwendungen. Das Subwoofer (LFE)-Signal ist bei HiFi-Cinema-Anwendungen ein separater Kanal. Der LOW-PASS-Filter ist ausgeschaltet, da der Decoder die Filterfunktion für die auf „small“ eingestellten Lautsprecher übernimmt. Jedoch gilt es, die optimale Position für den Phase-Schalter zu finden. In der Regel wird der Phase-Schalter auf 0° gesetzt. Steht der Subwoofer deutlich von den anderen Lautsprechern entfernt oder kehrt die die anderen Lautsprecher antreibende Endverstärker das Signal um, so ist möglicherweise die 180°-Position zu bevorzugen. Setzen Sie den Schalter in beide Positionen und entscheiden Sie sich für die Position, bei der der Klang am vollsten ist. Ist kein deutlicher Unterschied

wahrnehmbar, lassen Sie den Schalter auf 0°.

Decoder verfügen normalerweise über einen eingebauten Testtongenerator, der zur Einstellung der relativen Pegel aller Lautsprecher genutzt werden kann. Sie sollten sich jedoch nicht scheuen, die Einstellungen Ihrem persönlichen Geschmack entsprechend zu verändern. Man neigt häufig dazu, sich von den Möglichkeiten, die der Subwoofer bietet (besonders bei Spezialeffekten), beeindruckt zu lassen. Oftmals ist aber eine realistischere Wiedergabe langfristig zufriedenstellender. Dazu sollte die Einstellung des Subwooferpegels unter dem Standardpegel liegen.

Alle Anwendungen

Werden bestimmte Baßpassagen mehr betont als andere, ist der Klang der Anlage vermutlich nicht optimal an den Raum angepaßt. Hierbei lohnt es sich, die Position des Subwoofers solange zu verändern, bis er optimal platziert ist. Selbst kleinste Änderungen in der Position – z.B. 15 cm – können einen erheblichen Einfluß auf den Klang haben. Versuchen Sie, einen Abstand zwischen Boden und Subwoofer zu schaffen oder den Subwoofer hin und her zu bewegen. Der Einsatz von mehreren Subwoofern kann die Wirkung von Raumresonanzen mildern, da jeder Subwoofer in unterschiedlichen Frequenzbereichen Resonanzen erzeugen wird. Wird der relative Abstand von Subwoofer(n) zu den Satellitenlautsprechern verändert, kann es unter Umständen erforderlich sein, die Einstellung des Phase-Schalters zu ändern. Ferner ist die Pegelstellung des Subwoofers zu prüfen (entweder über die Decoder-Ausgangspegel oder die Lautstärkeregelung am Verstärker des Subwoofers), aber erst, nachdem die Phase korrekt eingestellt wurde.

Pflege

Das Subwoofergehäuse kann einfach mit einem trockenen Staubtuch abgewischt werden. Bei Verwendung eines Aerosol-Reinigers sollten Sie diesen zunächst auf ein Tuch sprühen und nicht direkt auf das Gehäuse. Entfernen Sie die Frontabdeckung, indem Sie sie vorsichtig vom Gehäuse abziehen. Achten Sie darauf, daß dabei das Lautsprecherchassis nicht beschädigt wird. Die Frontabdeckung kann mit einer sauberen Bürste gereinigt werden.

Benutzen Sie den Subwoofer nicht als Ablagefläche. Auf der Oberfläche abgestellte Gegenstände können wackeln und so die Klangqualität beeinträchtigen. Besonders Flüssigkeiten (z.B. Getränke oder Blumenvasen mit Wasser) sollten niemals auf den Subwoofer gestellt werden.

Wird Ihr System für längere Zeit nicht in Betrieb genommen, ziehen Sie den Netzstecker aus der Steckdose.

Hinweis: Bei Überlastung schaltet sich der Subwoofer automatisch ab. In diesem Fall setzen Sie den Subwoofer zurück, indem Sie den POWER-Schalter am Verstärker in die OFF- und anschließend wieder in die ON-Position bringen.

Español

Garantía limitada

Estimado cliente:

Bienvenido a B&W.

Este producto ha sido diseñado y fabricado de acuerdo con las más altas normas de calidad. Sin embargo, si hallara algún defecto en el mismo, B&W Loudspeakers y sus distribuidores nacionales garantizarán, sin coste alguno para usted, la mano de obra (es posible que haya excepciones) y la reposición de piezas en cualquier país donde se cuente con un distribuidor autorizado de B&W.

Esta garantía limitada es válida por un período de cinco años desde la fecha de compra (dos años para las partes electrónicas) incluyendo altavoces amplificados.

Términos y condiciones

- 1 Esta garantía está limitada a la reparación del equipo. La garantía no cubre ni el transporte ni otros costes; tampoco cubre ningún riesgo por traslado, transporte e instalación de los productos.
- 2 La garantía será aplicable exclusivamente para el propietario original. No es transferible.
- 3 Esta garantía tendrá vigencia solamente si se trata de casos de materiales defectuosos y/o de fabricación existentes en el momento de la compra, y no será aplicable en los siguientes casos:
 - a daños causados por instalación, conexión o embalaje inapropiados,
 - b daños causados por un uso que no se corresponda con el uso correcto tal como se describe en el manual del usuario, negligencia, modificaciones o la utilización de piezas no originales de fábrica o no autorizadas por B&W,
 - c daños causados por equipos auxiliares defectuosos o inapropiados,
 - d daños causados por accidentes, relámpagos, agua, incendios, calor, guerra, disturbios sociales u otra causa ajena al control razonable de B&W y de sus distribuidores autorizados,
 - e productos cuyo número de serie haya sido modificado, borrado, retirado o convertido en ilegible,
 - f si una persona no autorizada ha efectuado alguna reparación o modificación en el producto.
- 4 Esta garantía complementa cualquier obligación legal a nivel nacional/regional de concesionarios o distribuidores nacionales y, como cliente, no afecta a sus derechos estatutarios.

Cómo solicitar reparaciones bajo garantía

En caso de ser necesaria alguna revisión, siga el siguiente procedimiento:

- 1 Si está usando el equipo en el país en

el que fue adquirido, debería contactar con el detallista autorizado de B&W donde lo adquirió.

- 2 Si el equipo está siendo utilizado fuera del país en el que fue adquirido, debería contactar con el distribuidor nacional de B&W correspondiente al país donde reside, que le asesorará sobre el lugar al que deberá enviarse para que pueda ser revisado. Para obtener información sobre cómo contactar con su distribuidor local, puede llamar a B&W en el Reino Unido o visitar nuestro sitio web.

Para convalidar su garantía, debe mostrar al pertinente folleto debidamente rellenado y con la fecha de compra estampada por su concesionario. De lo contrario, tendrá que mostrar la factura de venta original u otro comprobante que demuestre su propiedad y la autenticidad de su fecha de compra.

Manual de instrucciones

INSTRUCCIONES DE SEGURIDAD IMPORTANTES



Precaución:

Para reducir el riesgo de que se produzca una descarga eléctrica, no retire el panel posterior ni exponga el producto a la lluvia o la humedad. En el interior del aparato no hay partes manipulables por el usuario. Confíe cualquier operación de mantenimiento únicamente a personal cualificado.

Explicación de los Símbolos Gráficos:



El relámpago en el interior de un triángulo equilátero tiene por objeto advertirle sobre la presencia de "tensiones peligrosas" no aisladas en el interior del aparato que pueden tener la suficiente magnitud para provocar descargas eléctricas en personas.



El signo de admiración en el interior de un triángulo equilátero tiene por objeto advertirle sobre la presencia de instrucciones de funcionamiento y mantenimiento importantes en la literatura que acompaña al aparato.

ADVERTENCIAS:

- 1 Lea las Instrucciones – Debería leer todas las instrucciones relacionadas con el funcionamiento y la seguridad del aparato antes de ponerlo en marcha.
- 2 Guarde las Instrucciones – Las instrucciones relacionadas con el funcionamiento y la seguridad del aparato deberían conservarse para cualquier futura consulta de las mismas.
- 3 Preste Atención a las Advertencias – Todas las advertencias que figuran en el aparato y en las instrucciones de funcionamiento del mismo deberían ser respetadas.
- 4 Siga las Instrucciones – Todas las funciones de uso y funcionamiento deberían ser respetadas.
- 5 Instalación – Instale el producto en concordancia con las instrucciones del fabricante.
- 6 Fuentes de Energía – Este producto debería ser utilizado únicamente con el tipo de fuente de energía indicado en el panel posterior. Si no está seguro del tipo de suministro eléctrico del que dispone en su hogar, consulte a su detallista o a su compañía eléctrica local.
- 7 Conexión a Masa o Polarización – No es obligatorio conectar el aparato a masa. Asegúrese de que las clavijas del enchufe estén completamente insertadas en la toma de corriente eléctrica o regleta para evitar que alguna de ellas quede al descubierto. Algunas versiones del producto están equipadas con un cable de alimentación que incluye una clavija polarizada (es decir con una patilla más ancha que la otra). Esta clavija sólo podrá insertarse en la toma de corriente eléctrica de una única manera. Se trata de una prestación relacionada con la seguridad. Si usted se ve incapaz de insertar completamente la clavija en la toma de corriente eléctrica, pruebe invirtiéndola. Si la clavija sigue sin poder ser insertada, contacte con su electricista para que sustituya su toma de corriente obsoleta por una actualizada. No pase por alto el hecho de que la clavija polarizada existe por motivos de seguridad. Cuando utilice un cable de extensión o un cable de alimentación diferente del suministrado junto con el aparato, el mismo debería ser insertado en tomas adecuadas y satisfacer las normas de seguridad vigentes en el país de utilización.
- 8 Protección del Cable de Alimentación – Los cables de alimentación deberían colocarse de manera que no puedan ser pisados ni aplastados por otros objetos, debiéndose prestar una particular atención a los puntos de unión de los cables a las clavijas, a la comodidad de las tomas de corriente al punto en que aquéllos salen del aparato.

- 9 Sobrecarga – No sobrecargue las tomas de corriente individuales o colectivas ni los cables de extensión ya que ello puede aumentar el riesgo de que se produzca un incendio o una descarga eléctrica.
- 10 Ventilación – El panel del amplificador que figura en la parte posterior del producto forma parte del mecanismo de refrigeración y no debe ser obstruido colocando aquí en una cama, sofá, alfombra o superficie similar. No cubra el panel del amplificador con objetos tales como manteles, periódicos, etc. Asegúrese de que los disipadores térmicos estén alineados para garantizar una refrigeración adecuada. Debería haber un espacio libre de al menos 50 mm entre la parte posterior del producto y cualquier pared o separador. Si el aparato está instalado en una ubicación cerrada, como por ejemplo un rack, una estantería o un mueble, debería disponerse una circulación de aire adecuada bien dejando un espacio libre de 12 mm alrededor de las zonas superior, inferior y laterales del producto, bien colocando un par de tubos de un mínimo de 150 centímetros cuadrados de sección desde la entrada de la sala hasta ranuras de 300 milímetros de ancho por 50 milímetros de profundidad situadas encima y debajo del compartimento alineadas con el espacio libre que hay detrás del producto.
- 11 Calor – El aparato debería colocarse lejos de fuentes de calor tales como radiadores, estufas, cocinas u otros productos (incluyendo los amplificadores de audio) que produzcan calor. No debería colocarse ninguna fuente con llama al desnudo, como por ejemplo velas encendidas, en la parte superior del producto.
- 12 Montaje en Pared o Techo – El aparato debería ser montado en una pared o techo sólo de la forma recomendada por el fabricante.
- 13 Agua y Humedad – No utilice este producto cerca del agua, por ejemplo cerca de una bañera, lavadora, fregadero, en un sótano húmedo o en las cercanías de una piscina o lugares por el estilo.
- 14 Entrada de Objetos y Líquidos – No introduzca objetos de ningún tipo a través de las aperturas de este producto ya que podrían tocar puntos con tensiones eléctricas peligrosas o cortocircuitar componentes que podrían originar un incendio o una descarga eléctrica. No derrame nunca líquidos de ningún tipo en el interior del aparato.
- 15 Limpieza – Desenchufe el aparato de la red eléctrica antes de limpiarlo. El recinto del subwoofer puede ser limpiado con una gamuza seca. Si desea utilizar algún aerosol limpiador, no rocíe nunca directamente sobre el recinto sino sobre la gamuza. Retire previamente la rejilla protectora para que la tela de la misma no sea rociada aunque procure no tocar el altavoz. Por su parte, la rejilla puede limpiarse utilizando un cepillo suave.
- 16 Empalmes – No utilice empalmes no recomendados por el fabricante del producto ya que podrían provocar daños.
- 17 Accesorios – No coloque este producto encima de una carretilla, soporte, trípode, abrazadera o mesa inestable. El aparato podría caer, provocando serios daños a niños o adultos, así como al propio aparato. Utilice únicamente carretillas, soportes, trípodes, abrazaderas o mesas recomendados por el fabricante o suministrados con el producto. Cualquier instalación del producto debería seguir las instrucciones del fabricante y utilizar un accesorio de montaje recomendado por el fabricante.
- 18 Desplazamiento del Aparato – El conjunto formado por el producto y una carretilla debería moverse con sumo cuidado. Las paradas rápidas, una fuerza excesiva y las superficies irregulares podrían hacer que dicho conjunto volcara. No desplace el producto sobre sus pies cónicos ya que ello podría separarlos violentamente del recinto y provocar daños importantes. Procure no hacerse daño usted mismo con los pies de desacople.
- 19 Periodos de No Utilización – El cable de alimentación debería desconectarse de la red eléctrica durante tormentas con fuerte aparato eléctrico o cuando el producto no vaya a ser utilizado durante un largo período de tiempo.
- 20 Mantenimiento – No intente reparar este producto usted mismo ya que el acceso a su interior puede exponerle a tensiones eléctricas peligrosas u otros riesgos. Para cualquier operación de mantenimiento, contacte siempre con personal cualificado.
- 21 Daños que Requieran Mantenimiento – Desconecte el aparato de la red eléctrica y confíe el mantenimiento/repación del mismo a personal cualificado si se da alguna de las siguientes condiciones:
- Cuando el cable de alimentación o la clavija del mismo ha sido dañado.
 - Si se ha derramado líquido o han caído objetos en el interior del aparato.
 - Si el producto ha sido expuesto a la lluvia o ha sido salpicado por algún líquido.
 - Si el producto no funciona de la manera normal siguiendo escrupulosamente las instrucciones de funcionamiento. Ajuste únicamente aquellos controles cuyo funcionamiento esté explicado en las instrucciones de funcionamiento puesto que el ajuste inadecuado de cualquier otro podría provocar daños en el aparato y muy probablemente requeriría mucho trabajo por parte de un técnico cualificado con el fin de restaurar su funcionamiento normal.
- e Si el aparato ha sido golpeado o dañado de algún modo.
- f Cuando el aparato muestra un cambio perceptible en sus prestaciones significa que necesita ser revisado.
- 22 Recambios – Cuando se necesite sustituir alguna pieza, asegúrese de que el técnico de mantenimiento utilice componentes especificados por el fabricante o que las mismas características que los originales. Los cambios con componentes no autorizados pueden provocar incendios, descargas eléctricas u otros riesgos.



- 23 Fusibles Principales – Para garantizar una protección continuada frente a cualquier riesgo de incendio, utilice únicamente fusibles del tipo y valor correctos. El amplificador interno está diseñado para funcionar con tensiones de alimentación comprendidas entre 100 y 230 voltios de corriente alterna aunque se utilizan diferentes tipos de fusibles en función de las características de cada red eléctrica. Las especificaciones correctas del fusible correspondiente a cada tensión de alimentación están marcadas en el producto.
- 24 Comprobación de Seguridad – Una vez se haya completado cualquier operación de mantenimiento o reparación del producto, consulte al técnico de mantenimiento para que lleve a cabo de manera segura las comprobaciones de seguridad necesarias para determinar que el producto se encuentra en unas condiciones de funcionamiento adecuadas.
- 25 Campos Magnéticos – El producto crea campos magnéticos parásitos. No coloque ningún objeto que pueda ser dañado por dichos campos magnéticos (por ejemplo los televisores o monitores de ordenador que utilicen tubos de rayos catódicos, cintas de audio y video y tarjetas con banda magnética) a una distancia del aparato igual o inferior a 0'5 metros. Más allá de esta distancia, es posible que el aparato siga provocando distorsiones en imágenes generadas por tubos de rayos catódicos.

Introducción

Gracias por haber adquirido un Subwoofer Activo ASW de B&W.

Desde su fundación en 1966, la filosofía de B&W no ha sido otra que la búsqueda de la perfecta reproducción del sonido. Inspirada por el fundador de la compañía, el

recordado John Bowers, esta búsqueda ha supuesto no sólo la realización de grandes inversiones en innovación y tecnología aplicadas al campo del audio sino también una muy precisa apreciación de la música y de las exigencias de la reproducción de bandas sonoras de películas con el fin de asegurar que dicha tecnología es aprovechada al máximo de sus posibilidades.

Este subwoofer ha sido diseñado para ser utilizado en instalaciones de Cine en Casa y para incrementar la respuesta en graves de cajas acústicas de gama completa ("full range") en aplicaciones de audio estereofónico de 2 canales. La adición del subwoofer a su equipo no sólo extiende la respuesta en graves del mismo sino que mejora la claridad de la zona media al reducir las demandas de energía para cubrir la restitución de las octavas inferiores por parte de las cajas acústicas que usted posea.

Le rogamos que lea cuidadosamente el presente manual antes de utilizar el subwoofer. Todas las instalaciones de sonido requieren cierta planificación y experimentación durante su puesta a punto. Si usted está interesado en explotar al máximo las posibilidades de los componentes de su equipo, este manual le servirá de guía en el proceso.

Puesto que el subwoofer es conectado directamente a la red eléctrica, es importante que usted se familiarice con las instrucciones de seguridad y tenga en cuenta todas las advertencias que figuran al principio del presente manual.

Guarde este manual en un lugar seguro para el caso de que necesite utilizarlo en el futuro.

Los productos B&W son distribuidos en más de 60 países de todo el mundo, motivo por el que mantenemos una red internacional constituida por distribuidores altamente cualificados que han sido cuidadosamente seleccionados. En caso de que tenga algún problema que su detallista no pueda resolver, nuestros distribuidores estarán encantados de poder ayudarle.

Desembalaje

(figura 1)

La manera más fácil de desembalar el subwoofer y a la vez de evitar que pueda sufrir daños es la siguiente:

- Abra las aletas del embalaje y sitúelas hacia atrás, procediendo posteriormente a colocar en posición invertida la caja y su contenido.
- Levante la caja de modo que el subwoofer quede depositado en el suelo.

Le recomendamos que guarde el embalaje para un posible uso futuro del mismo.

Además del presente manual, la caja debería contener:

1 Subwoofer

1 Paquete de accesorios en el que figuran:

4 pies de goma

4 puntas metálicas de desacoplo

4 tuercas de bloqueo

1 documentación de garantía internacional

Un repaso al subwoofer

(figura 2)

- 1 Indicador luminoso de Puesta en Marcha/ Activación de la Posición de Espera
- 2 Control de VOLUMEN
- 3 Ajuste de la FRECUENCIA DE CORTE DEL FILTRO PASO BAJO
- 4 Conmutador de MODO: Puesta en Marcha/ Arranque Automático/Activación de la Posición de Espera
- 5 Conmutador de activación del circuito de ECUALIZACIÓN
- 6 Conmutador de supresión del FILTRO PASO BAJO
- 7 Conmutador de FASE
- 8 Terminales LINE IN ("ENTRADA DE SEÑAL DE LÍNEA")
- 9 Terminales LINE OUT ("SALIDA DE SEÑAL DE LÍNEA")
- 10 Terminales LINK OUT ("SALIDA PARA ENLACE")
- 11 Conmutador de PUESTA EN MARCHA/DESCONEXIÓN
- 12 Compartimento portafusibles
- 13 Conector del cable de alimentación

Colocación del subwoofer

Puesto que el subwoofer produce únicamente sonidos de baja frecuencia, en muchos aspectos su posición resulta menos crítica que la de las cajas acústicas convencionales. La información direccional es mucho menos precisa y por tanto usted dispone de muchas más alternativas a la hora de colocar las cajas acústicas y conseguir un buen efecto. Dicho esto, los mejores resultados se obtienen si el subwoofer es colocado entre las cajas acústicas satélites o en las cercanías de una de ellas. Si usted utiliza dos subwoofers, es mejor situar uno cerca de cada satélite.

La colocación del subwoofer detrás de los oyentes, incluso en instalaciones de sonido envolvente, suele proporcionar una imagen sonora de inferior calidad aunque puede constituir un compromiso aceptable en caso de que lo dicten las consideraciones domésticas.

Tal y como sucede con todo tipo de cajas acústicas, la proximidad de las paredes de la habitación afecta al sonido.

Generalmente, los graves sufren un incremento en su nivel cuando más superficies haya en las cercanías de los altavoces que los producen. Sin embargo, y contrariamente a lo que sucede con las cajas acústicas de gama completa, usted siempre puede restaurar el correcto balance tonal global del sistema ajustando el nivel de volumen del subwoofer. Cuando más realce los graves presentes en su habitación, menos tendrán que trabajar los

otros altavoces. Pero también hay un punto oscuro: la ubicación del subwoofer en las esquinas de la habitación suele excitar con más intensidad las resonancias (modos propios) de baja frecuencia de la misma, desequilibrando los graves con respecto al resto de frecuencias. No hay, en este sentido, una alternativa a la experimentación pura y simple puesto que cada habitación exhibe un comportamiento diferente; en consecuencia, evalúe la respuesta del subwoofer en una amplia variedad de posiciones antes de tomar una decisión definitiva. Una melodía con un bajo que ascienda o descienda progresivamente en la escala musical resulta muy útil para evaluar la suavidad de la respuesta en graves. Escuche atentamente tanto los párrafos más exagerados como los más suaves. Poseer un subwoofer separado le permitirá optimizar el comportamiento de su equipo con respecto a las resonancias de la habitación, así como conseguir la mejor imagen sonora posible.

Si el subwoofer va a ser utilizado en un espacio limitado (como por ejemplo un mueble hecho a medida), dicho espacio debe estar suficientemente ventilado para permitir la perfecta refrigeración del amplificador incluido en aquél. Consulte a su detallista en caso de que precise de algún consejo al respecto.

El subwoofer es suministrado de serie con cuatro puntas de desacoplo. Dichas puntas atravesarán la alfombra de su habitación, proporcionando un firme soporte del aparato directamente sobre el suelo aunque sin dañar este último.

Si el aparato va a ser instalado sobre una superficie delicada, como por ejemplo un suelo de parquet o revestido de moqueta, coloque un disco de protección debajo de cada punta metálica de desacoplo o monte los cuatro pies de goma en lugar de las puntas metálicas de desacoplo.

Cuando monte las puntas metálicas de desacoplo o los pies de goma, coloque en primer lugar completamente las tuercas de fijación en los tornillos correspondientes y a continuación inserte cada conjunto en los orificios dispuestos para tal efecto en la base del recinto. Si el subwoofer no está bien equilibrado, afloje los pies/puntas que sean necesarios hasta que el mismo descanse firmemente sobre el suelo y a continuación fije de nuevo las tuercas de fijación correspondientes.

Compruebe que no haya cables en la alfombra/moqueta susceptibles de ser dañados por las puntas metálicas de desacoplo del subwoofer.

No desplace el aparato con las puntas de desacoplo montadas puesto que podría provocar que las mismas saliesen de su lugar y por tanto dañaran el suelo de la sala de escucha.

Asegúrese de que ninguna de las puntas de desacoplo se coloque sobre su propio pie.

Conexiones eléctricas

Desconecte todos los componentes de su equipo de sonido de la red eléctrica hasta

que hayan sido efectuadas y comprobadas tocando las conexiones de señal. De este modo evitará el riesgo de que se produzcan daños en caso de que se realicen conexiones erróneas.

La función del subwoofer consiste en recibir señales de la cadena de amplificación y, en aquellos casos donde sea necesario para aplicaciones de audio de 2 canales, dividir la señal entre extremo grave y el resto de frecuencias enviando estas últimas a las cajas acústicas del equipo ("satélites"). Si lo desea, las entradas de señal correspondientes a los canales izquierdo y derecho pueden combinarse en una única señal de extremo grave que es enviada al altavoz del subwoofer.

El subwoofer admitirá la entrada y la salida tanto de señales de nivel de línea como de alto nivel a través, respectivamente, de los terminales RCA y de 4 mm para la conexión de cajas acústicas ubicados en su panel posterior.

Utilice la siguiente tabla para seleccionar el modo de conexión más adecuado para su instalación:

Aplicación: Cine en Casa/Audio Multicanal

El subwoofer puede ser utilizado con cualquier descodificador que incorpore una salida de nivel de línea específica para subwoofer (normalmente a partir de un conector RCA). La mayoría de descodificadores separados y electrónicas integradas de AV suelen suministrar una señal de nivel de línea para el canal de subwoofer o Efectos de Baja Frecuencia ("Low-Frequency Effects" o LFE).

- Descodificador con uno o más subwoofers – figura 3

Aplicación: Audio Estéreo

Preamplificador y etapa de potencia separados:

- a Uno o más subwoofers con su salida combinada en una única señal monofónica: fig. 4
- b Dos subwoofers con señales separadas para los canales izquierdo y derecho: fig. 5

El subwoofer no es adecuado para ser utilizado con conjuntos formados por preamplificador y etapa de potencia de 2 canales.

Utilización de más de un subwoofer

El empleo de más de un subwoofer en una única instalación puede mejorar las prestaciones de la misma del siguiente modo:

- Mantenimiento de la separación estereofónica hasta las frecuencias más bajas.
- Sonorización de habitaciones de mayores dimensiones.
- Permitir niveles de presión sonora más elevados, lo que a menudo resulta muy útil para reproducir de modo efectivo los efectos especiales relacionados con las aplicaciones de Cine en Casa.

- Suavizar los efectos de las resonancias de baja frecuencia de la sala de escucha.

Si está utilizando dos subwoofers en un equipo de audio de 2 canales, la separación estereofónica en el caso de que cada canal tenga su propio subwoofer aumentará dando por supuesto que cada subwoofer sea ubicado cerca de la correspondiente caja acústica satélite. Utilice la conexión para funcionamiento monofónico que se muestra en la figura 4 solamente en el caso de que le sea imposible colocar cada subwoofer cerca de su correspondiente caja acústica satélite.

Compruebe las conexiones

Antes de proceder a la evaluación de la calidad sonora de su nueva instalación y al ajuste fino de la misma, compruebe las conexiones realizadas. Muy a menudo, los usuarios se quejan de que no pueden obtener un sonido decente a pesar de manejar adecuadamente los controles. Aunque sólo para descubrir que algo había sido conectado de forma errónea, asegúrese de que:

- La puesta en fase es correcta, lo que significa que no debería haber conexiones de positivo a negativo (o viceversa) en las cajas acústicas satélites. Si algo está fuera de fase, es posible que se obtenga un sonido difuso con una imagen sonora flotante e imprecisa, una falta patente de graves o una combinación de ambas cosas.
- No hay cruces entre canales, hecho que podría derivar en, por ejemplo, que una orquesta esté situada en la posición incorrecta o, peor aún, los sonidos de su sistema de Cine en Casa vayan en dirección opuesta a la de la acción que transcurre en la pantalla.

Arranque y apagado

Le recomendamos que ponga en marcha el subwoofer antes que cualquier amplificador que reciba señales del mismo. Del mismo modo, en el momento del apagado del sistema deje al subwoofer para el final.

El conmutador MODE de puesta en marcha/arranque automático/activación de la posición de espera (4) el amplificador no aísla por completo del suministro de energía eléctrica puesto que mantiene una entrada de señal de alimentación de bajo nivel para un circuito de detección auxiliar.

El conmutador (4) funciona tal como se explica a continuación:

On:

Con el conmutador en esta posición, el amplificador permanece siempre activado y el indicador (1) se ilumina en color verde.

Auto:

La primera vez que sitúe el subwoofer en la posición Auto, el amplificador interno se colocará en su posición de pleno funcionamiento y el indicador luminoso (1) adquiere color amarillo. Después de unos 5 minutos sin presencia de señal de entrada,

el amplificador regresa automáticamente a la posición de espera y el mencionado indicador luminoso pasa a ser de color rojo. Cuando se detecta una señal a la entrada, el amplificador se sitúa automáticamente en su posición de pleno funcionamiento y el indicador luminoso cambia a color verde.

Posición de Espera ("Standby"):

En esta posición, el amplificador está permanentemente en la posición de espera y el indicador luminoso se activa en color rojo.

Si el subwoofer no va a ser utilizado durante un largo período de tiempo, le recomendamos que lo aisle de la red eléctrica bien utilizando el conmutador de PUESTA EN MARCHA (11) bien desenchufándolo directamente.

Ajuste de los controles

Hay 5 controles a considerar:

- El control de VOLUMEN (2)
- El control para el ajuste de la FRECUENCIA DE CORTE DEL FILTRO PASO BAJO (3)
- El conmutador de FASE (7)
- El conmutador de activación del FILTRO PASO BAJO (6)
- El conmutador de ECUALIZACIÓN (EQ) (5)

El ajuste óptimo depende del resto de componentes utilizados conjuntamente con el subwoofer. Si se está utilizando más de un subwoofer, asegúrese de que los controles de cada uno están ajustados en la misma posición.

Utilización con descodificadores de sonido envolvente

El Subwoofer Activo B&W ASW no posee certificación THX® pero en caso de que así se desee puede ser utilizado con un controlador THX®.

- Ajuste el control de VOLUMEN del descodificador en la mitad de su recorrido (las 12 en punto).
- El ajuste del control correspondiente a la FRECUENCIA DE CORTE DEL FILTRO PASO BAJO es irrelevante.
- Sitúe inicialmente el conmutador de fase en 0°.
- Ajuste el conmutador de activación del FILTRO PASO BAJO en OUT.
- Sitúe inicialmente el conmutador de ECUALIZACIÓN en la posición A.

Vea también la sección dedicada al "Ajuste fino".

Si usted posee un controlador THX®, asegúrese de que la función de subwoofer esté activada. Cuando el controlador esté adecuadamente configurado, el mismo incorporará todos los ajustes de nivel y filtrado requeridos por el subwoofer en todos los modos de funcionamiento. Para la calibración de nivel pueden utilizarse los controles de nivel y el generador interno de tonos de prueba del controlador THX®. En todos los casos, los niveles deberían ajustarse para obtener un nivel de presión

sonora de 75 dB (medidos con ponderación C) en la posición de escucha utilizando la señal de ruido rosa de prueba del controlador.

Si utiliza otro tipo de descodificadores, configure las cajas acústicas de sonido envolvente en "large" ("grandes") o "small" ("pequeñas") antes de ajustar los niveles correspondientes. Utilice los controles de nivel y el generador interno de tonos de prueba del controlador para ajustar los niveles de todas las cajas acústicas del equipo. Cambie el nivel de VOLUMEN en el subwoofer solamente si el descodificador no dispone de un rango de ajuste suficiente para lograr los niveles adecuados.

Pueden adquirirse sonómetros de bajo precio en cualquier tienda de componentes electrónicos. Dichos aparatos deberían utilizarse cada vez que se procediese a calibrar los niveles correspondientes a los distintos canales de su equipo.

Uso para audio de 2 canales

- Ajuste el control de VOLUMEN del descodificador en la mitad de su recorrido (las 12 en punto).
- Sitúe inicialmente la FRECUENCIA DE CORTE DEL FILTRO PASO BAJO en 80 Hz.
- Sitúe el conmutador de activación del FILTRO PASO BAJO en IN.
- Sitúe inicialmente el conmutador de ECUALIZACIÓN en la posición A.
- Sitúe inicialmente el conmutador de fase en 0°.

Vea también la sección dedicada al "Ajuste fino".

Ajuste fino

Hay dos ajustes para el conmutador de ECUALIZACIÓN: "Posición B" está optimizado para permitir que el subwoofer proporcione los niveles de escucha más altos posible mientras que "Posición A" proporciona una superior extensión de la respuesta en graves y un sonido con más cuerpo y control.

Audio de 2 canales

Los ajustes óptimos para el conmutador de FASE y la FRECUENCIA DE CORTE DEL FILTRO PASO BAJO están interrelacionados y además dependen de la frecuencia de corte inferior de las cajas acústicas satélites y las posiciones relativas de todas las cajas acústicas del equipo.

Ajuste el sistema en su posición preferida y reproduzca algunos temas musicales que contengan una buena dosis de graves. El ajuste óptimo para la FRECUENCIA DE CORTE DEL FILTRO PASO BAJO depende de varias variables: la respuesta en graves y la capacidad en potencia de las cajas acústicas satélites, el número de subwoofers utilizados y su posición con respecto a las cajas acústicas satélites. La zona de 80–90 Hz es un buen punto de partida para la FRECUENCIA DE CORTE INFERIOR. A menos que se utilicen dos subwoofers para preservar por separado la información de graves correspondiente a los canales izquierdo y derecho y los

mismos estén ubicados cerca de las pertinentes cajas acústicas satélites, el uso de una frecuencia de corte más alta puede comprometer la imagen estereofónica y debe ser considerada únicamente en el caso de que la respuesta en graves de las cajas acústicas satélites sea particularmente limitada.

Cada vez que realice un ajuste de la frecuencia de corte superior del subwoofer, efectúe una prueba de escucha con el conmutador de fase en las dos posiciones. La posición correcta será aquella que proporcione un mayor nivel de graves, dependiendo el resultado final de las características de la respuesta en graves de sus cajas acústicas satélites y de las distancias relativas del(los) subwoofer(s) y aquéllas a los oyentes. Cuando utilice más de un subwoofer, asegúrese de que cada uno tenga los mismos ajustes en la frecuencia de corte y el selector de fase.

Ajuste el nivel de salida del subwoofer con respecto a las cajas acústicas satélites en función de sus preferencias. Utilice una amplia variedad de mensajes musicales con el fin de establecer un ajuste intermedio que sea válido para todos. Piense al respecto que un ajuste que proporcione un sonido impresionante con un tema musical puede ser desastroso para otro. Escuche la música a niveles de presión sonora sensatos puesto que la percepción del balance varía con el nivel del sonido.

Cine en Casa

En el caso del Cine en Casa, la situación es algo distinta de la existente en audio de 2 canales. La señal de subwoofer (LFE) corresponde más a una señal separada que a una extensión de la enviada a las cajas acústicas satélites. El filtro PASO BAJO es desconectado puesto que es el descodificador el que se encarga de proporcionar todo el filtrado a cualquier caja acústica configurada como "small" ("pequeña"). Sin embargo, la posición del conmutador de fase debe seguir siendo valorada. Por lo general, la fase debe ser ajustada en 0° pero si el subwoofer está colocado a una distancia significativamente distinta de las demás cajas acústicas o la etapa de potencia que ataca a estas últimas invierte la señal, la posición de 180° podría resultar más adecuada. Haga pruebas de escucha colocando el conmutador en las dos posiciones disponibles y elija la que proporcione el sonido más convincente. Si la diferencia percibida es poca, deje el conmutador en 0°.

Por regla general, los descodificadores de sonido envolvente incluyen una señal de ruido calibrada que puede ser utilizada para establecer los niveles relativos de todas las cajas acústicas, haciendo de este modo que la tarea resulte algo más sencilla que en el caso del audio de 2 canales. Aún así, no tenga miedo de alterar los ajustes para que se adapten a sus preferencias personales. Es demasiado fácil entusiasmarse con las posibilidades del subwoofer, en particular con ciertos efectos especiales de baja frecuencia. Muy a menudo se consigue una recreación del

sonido más realista y satisfactoria a largo plazo situando el nivel del subwoofer por debajo del correspondiente a la calibración estándar.

Todo tipo de aplicaciones

Si detecta problemas relacionados con una concentración excesiva de graves –es decir si ciertas notas bajas son exageradas con respecto a otras– es muy posible que se deban a la interacción del equipo con la sala de escucha, por lo que le recomendamos que experimente con la colocación del subwoofer. Piense que un pequeño cambio en la posición –del orden de unos 15 centímetros– puede tener efectos muy importantes en el sonido. Intente elegir un poco el subwoofer con respecto al suelo, así como desplazarlo lateralmente. El uso de varios subwoofers puede suavizar los efectos debidos a las resonancias de la habitación puesto que cada subwoofer tenderá a excitar resonancias a frecuencias distintas. Si usted altera de modo apreciable las distancias relativas entre el(los) subwoofers(s) y las cajas acústicas satélites con respecto a los oyentes, reajuste el selector de fase. También debería comprobar el ajuste de nivel del subwoofer (utilizando los controles del nivel de salida del descodificador o el control de volumen del subwoofer dependiendo de cada situación) aunque sólo después de ajustar correctamente la fase.

Cuidado y mantenimiento

El recinto del subwoofer debe limpiarse con ayuda de una gamuza seca. Si desea utilizar un limpiador de tipo aerosol, no pulverice nunca directamente hacia el recinto de la caja sino hacia la gamuza. Quite la rejilla antes de proceder a la limpieza del recinto pero asegúrese de no tocar el altavoz. La rejilla también puede limpiarse con ayuda de un cepillo suave.

No utilice el subwoofer como mesa. Cuando está funcionando, los objetos situados en su parte superior pueden moverse y caer. En particular, evite los riesgos asociados al vertido de líquidos (procedentes de bebidas o floreros).

Si el sistema no va a ser utilizado durante un largo periodo de tiempo, desconecte el subwoofer de la red eléctrica.

Nota: El subwoofer se desconectará automáticamente si el nivel de volumen al que se hace trabajar es excesivamente elevado. Si esto sucede, reinicie apagándolo y volviéndolo a poner en marcha de nuevo con ayuda del conmutador de puesta en marcha/desconexión del panel del amplificador.

Português

Garantia limitada

Estimado Cliente,

Bem-vindo à B&W.

Este produto foi concebido e fabricado de acordo com os mais elevados padrões de qualidade. No entanto, se houver qualquer problema com este produto, os Altifalantes B&W e os seus distribuidores nacionais garantem serviço de mão-de-obra (podendo-se aplicar exclusões) e de substituição de peças gratuitos em qualquer país servido por um distribuidor oficial de B&W.

Esta garantia limitada é válida por um período de cinco anos a partir da data de compra ou dois anos pela parte electrónica incluindo altifalantes amplificadas.

Termos e condições

- 1 Esta garantia limita-se à reparação do equipamento. Nem transporte, nem quaisquer outros custos, nem qualquer risco de remoção, transporte e instalação de produtos estão cobertos por esta garantia.
- 2 A garantia só é válida para o proprietário original. Não é transferível.
- 3 Esta garantia não será aplicável nos casos em que os defeitos não sejam atribuíveis a materiais e/ou mão-de-obra na altura da compra e não será aplicável a:
 - a danos causados pela instalação, ligação ou embalamento incorrectos,
 - b danos causados por qualquer utilização que não seja a correcta conforme descrita no manual do utilizador, negligência, modificações ou utilização de peças que não sejam fabricadas ou autorizadas pela B&W,
 - c danos causados por equipamento auxiliar inadequado ou defeituoso,
 - d danos causados por acidentes, relâmpagos, água, incêndio, calor, guerra, distúrbios públicos ou qualquer outra causa para além do controlo razoável da B&W e dos seus distribuidores nomeados,
 - e produtos cujo número de série tenha sido alterado, apagado, removido ou que tenha sido tornado ilegível,
 - f reparações ou modificações que tenham sido efectuadas por pessoa não autorizada.
- 4 Esta garantia complementa quaisquer obrigações legais nacionais e regionais de revendedores ou distribuidores nacionais e não afecta os seus direitos estatutários como cliente.

Como reivindicar reparações sob garantia

Caso seja necessário assistência técnica, queira seguir o procedimento seguinte:

- 1 Se o equipamento está a ser utilizado no país de compra, deverá contactar o distribuidor autorizado da B&W de onde o equipamento foi comprado.
- 2 Se o equipamento está a ser utilizado fora do país de compra, deverá contactar o distribuidor nacional da B&W do país de residência que o aconselhará onde o equipamento pode ser reparado. Pode telefonar para a B&W no RU ou visitar a nossa web site para obter os pormenores de contacto do seu distribuidor local.
- 4 Siga as instruções – Todas as instruções de uso e funcionamento devem ser seguidas.
- 5 Instalação – Faça a instalação de acordo com as instruções do fabricante.
- 6 Fontes de alimentação – Este aparelho só deve funcionar com os tipos de corrente eléctrica indicados no painel traseiro do mesmo. Se não está certo do tipo de corrente eléctrica que tem em sua casa, consulte o seu Retalhista autorizado ou a companhia de electricidade local.
- 7 Terra e Polarização – Este aparelho não necessita de uma ligação à terra. Assegure-se que a ficha está completamente inserida na parede ou extensão para prevenir exposição dos pinos. Quando usar uma extensão de corrente ou um cabo de corrente que não o fornecido com o aparelho, deve verificar se este possui as fichas correctas e se está de acordo com todas as regras de segurança apropriadas para uso no seu país.
- 8 Protecção do Cabo de Corrente – Os cabos de corrente devem ser guiados por forma a não serem pisados ou colocados objectos em cima dos mesmos, prestando especial atenção às fichas, orifícios correspondentes e o ponto onde saem do aparelho.
- 9 Sobrecarga – Não sobrecarregue as tomadas de parede nem extensões, isso poderá resultar em fogo ou choque eléctrico.
- 10 Ventilação – O painel do amplificador na traseira do aparelho é parte do mecanismo de arrefecimento e não deve ser obstruído colocando o aparelho numa cama, sofá, tapete, ou outras superfícies semelhantes. Não tape o painel do amplificador com nada como panos de mesa, jornais, etc. Deve existir um espaço livre de pelo menos 50mm entre a traseira do aparelho e qualquer parede ou divisória. Se o aparelho for colocado num espaço feito à medida como uma prateleira, móvel aberto ou fechado, deve providenciar-se uma circulação adequada de ar, seja com a) um espaço livre de 12mm à volta do topo, lados e base do aparelho ventilando para a sala ou por b) dois canais com um mínimo de secção de 150cm² a partir da sala direccionados para espaços de 300mm de largura x 50mm de profundidade no topo e base do compartimento em linha com o espaço por trás do aparelho. Assegure-se que as saliências do dissipador estão alinhadas verticalmente para assegurar um arrefecimento correcto. O aparelho não deve ser colocado em lugares pouco arejados, como uma prateleira, estante ou caixa a menos que lhe seja fornecida ventilação apropriada ou as instruções do fabricante estejam de acordo com a situação em causa.
- 11 Calor – O aparelho deve estar situado longe de fontes de calor como, radiadores, aquecedores, fogões, ou

Para validar a sua garantia, precisará de produzir este livrete de garantia preenchido e carimbado pelo seu distribuidor na data da compra. Em alternativa, precisará da factura original de venda ou outra prova de propriedade e data de compra.

Manual do utilizador

INSTRUÇÕES IMPORTANTES DE SEGURANÇA



CUIDADO
RISCO DE CHOQUE ELÉCTRICO
NÃO ABRIR



Cuidado:

Para reduzir o risco de choque eléctrico, não remova o painel traseiro. Não existem peças utilizáveis pelo utilizador no interior. Direcione reparações para pessoal qualificado.

Explicação de alguns símbolos:



O raio dentro de um triângulo equilátero tem o propósito de o alertar para a presença de voltagem perigosa não protegida no interior do aparelho com magnitude suficiente para provocar um choque eléctrico numa pessoa.



O ponto de exclamação dentro de um triângulo equilátero tem o propósito de o alertar importantes instruções de assistência e manutenção contidas na literatura que acompanha o aparelho.

AVISOS:

- 1 Leia as instruções – Todas as instruções de funcionamento e segurança devem ser lidas antes de pôr o aparelho a funcionar.
- 2 Guarde as instruções – As instruções de funcionamento e segurança devem ser guardadas para futuras consultas.
- 3 Avisos de Atenção – Todos os avisos no aparelho e no manual de instruções não devem ser esquecidos.

- outros aparelhos (incluindo amplificadores) que produzam calor. Não devem ser colocadas junto do aparelho fontes de calor produzido por chama como por exemplo velas acesas.
- 12 Montagem na Parede ou Tecto – O aparelho deve apenas ser montado numa parede ou tecto segundo as indicações do fabricante.
- 13 Água ou Humidade – Não use este aparelho perto de água ou humidade – por exemplo, perto de uma banheira, poliban, lava-louça, máquina de lavar, numa cave húmida, ou perto de uma piscina ou algo similar.
- 14 Entrada de Objectos ou Líquidos – Nunca empurre objectos através das ranhuras do aparelho para o seu interior, visto que elas podem tocar em peças com voltagens perigosas que podem provocar fogo ou choque eléctrico. Nunca entorne líquido de nenhum tipo em cima do aparelho.
- 15 Limpeza – Desligue o aparelho da tomada antes de o começar a limpar. A caixa do subwoofer pode ser limpa com um pano seco. Se desejar o uso de um spray aerosol não pulverize directamente na caixa; pulverize o pano. Retire primeiro a grelha para que o seu pano não fique manchado, mas tenha cuidado para não interferir com o altifalante. A grelha pode ser limpa usando uma escova macia. Leia a secção do manual com instruções de limpeza - "Cuidados com o Subwoofer".
- 16 Ligações – Não utilize ligações não recomendadas pelo fabricante do aparelho, porque poderão causar danos.
- 17 Acessórios – Não coloque este aparelho numa superfície instável, suporte de parede ou mesa. O aparelho pode cair, causando sérias lesões a crianças ou adultos, e sérios danos no aparelho. Use apenas com um suporte, suporte de parede ou mesa recomendados pelo fabricante ou vendido com o aparelho. Qualquer montagem do aparelho deve seguir as instruções do fabricante e deve usar um acessório de montagem recomendado pelo fabricante.
- 18 Movendo o aparelho – A combinação do aparelho e sua embalagem devem ser movidos com cuidado. Paragens rápidas, força excessiva ou superfícies irregulares podem fazer com que o aparelho tombe. Certifique-se que não existem cabos por baixo da alcatifa ou carpete que possam ser danificados com os spikes. Não mova o aparelho com os spikes montados porque pode fazer com que eles se soltem da caixa e causem estragos no aparelho. Tenha cuidado para não se picar com os spikes.
- 19 Períodos de não utilização – O cabo de corrente do aparelho deve ser desligado da tomada durante

tempestades com relâmpagos e quando o aparelho ficar sem uso durante um longo período de tempo.

- 20 Assistência – Não tente efectuar você mesmo uma reparação neste aparelho, visto que abrir ou remover as tampas pode expô-lo a voltagens perigosas ou outros perigos. Direcione qualquer reparação para pessoal qualificado.
- 21 Danos requerendo reparação – Desligue o aparelho da tomada de parede e direcione a reparação para pessoal qualificado quando nas seguintes condições:
- Quando o cabo de corrente ou ficha foram danificados.
 - Quando foi entornado líquido ou se deixaram cair objectos para dentro do aparelho.
 - Se o aparelho foi exposto a chuva ou água.
 - Se o produto não funciona normalmente seguindo as instruções no manual. Ajuste apenas os controlos mencionados no manual de instruções, visto que um ajuste desapropriado de outros controlos podem resultar em dano e requerem frequentemente um trabalho extensivo de um técnico qualificado para repor o aparelho no seu funcionamento normal.
 - Se deixou cair o aparelho, ou se danificou de qualquer forma.
 - Quando o aparelho apresentar uma alteração distinta no seu desempenho – isto indica necessidade de uma assistência técnica.
- 22 Peças de Substituição – Quando é necessário substituir uma peça, certifique-se que o técnico o faz com peças indicadas pelo fabricante ou com as mesmas características que a peça original. Substituições não autorizadas podem resultar em fogo, choque eléctrico ou outros perigos.



- 23 Fusíveis de corrente – para uma protecção constante contra perigo de incêndio, use fusíveis apenas do tipo e voltagem correctos. O amplificador está construído para funcionar com fontes de corrente nominal entre 100V e 230V AC, mas são utilizados diferentes tipos de fusíveis, dependendo da voltagem. A especificação correcta para cada fusível está marcada no aparelho.
- 24 Verificação de Segurança – Após qualquer assistência ou reparação feita a este produto, peça ao técnico para efectuar uma verificação de segurança para confirmar se o produto está em condições normais de funcionamento.
- 25 Campos Magnéticos – o produto cria um campo magnético perdido. Não posicione nenhum objecto que possa ser danificado por este campo

magnético (ex. televisores com tubo de raios catódicos ou monitores de computador, cassetes áudio e vídeo e cartões com banda magnética) a menos de 0.5m do aparelho. O aparelho pode causar distorção nas imagens de tubos de raios catódicos para além desta distância.

Introdução

Obrigado por ter comprado um Subwoofer Activo B&W ASW.

Desde a sua fundação em 1966, que a filosofia de base da B&W tem sido a procura da reprodução sonora perfeita. Inspirados pelo fundador da companhia, o já falecido John Bowers, esta busca significou não só um elevado investimento em tecnologia e inovação de áudio mas também uma permanente avaliação em termos musicais para assegurar que a tecnologia é aproveitada ao máximo.

O subwoofer foi desenhado para instalações de Cinema em Casa e para aumentar a performance de graves das colunas "full range" usadas em 2 canais áudio. Adicionando o subwoofer ao seu sistema não só estende o grave a frequências mais baixas, como melhora a clareza dos médios reduzindo a exigência de graves nas suas colunas.

Por favor, leia a totalidade deste manual antes de utilizar o subwoofer. Todas as instalações sonoras necessitam de algum planeamento e ensaio quando se pretende obter o melhor desempenho dos equipamentos utilizados. Este manual poderá guiá-lo através deste processo.

Uma vez que o subwoofer é ligado à rede de alimentação, será da maior importância que se familiarize com as instruções de segurança e siga todos os avisos.

Mantenha este manual em lugar seguro para futuras consultas.

Os produtos B&W são distribuídos em mais de 60 países de todo o mundo e mantemos uma rede internacional de dedicados distribuidores cuidadosamente escolhidos. Se deparar com qualquer problema que o seu revendedor não esteja em condições de resolver, os nossos distribuidores estão à sua disposição.

Desembalagem

(figura 1)

A forma mais fácil para desembalar o subwoofer é a seguinte:

- Abra completamente as tampas e coloque a caixa em posição invertida.
- Levante a caixa deixando o equipamento no chão.

Recomendamos que guarde a embalagem para futura utilização.

Para além deste manual, a caixa deve conter:

1 Subwoofer

1 Pacote de acessórios contendo:

- 4 Pés de borracha
- 4 Spike



4 Porcas de aperto

1 Documento de garantia internacional

Visita ao Subwoofer

(figura 2)

1 Indicador de Corrente/Standby

2 Controle de VOLUME

3 Controlo de FREQUÊNCIAS BAIXAS

4 Interruptor MODE On/Auto/Standby

5 Interruptor de Equalização

6 Interruptor de corte de FILTRO DE FREQUÊNCIAS BAIXAS

7 Selector de FASE

8 Tomada LINE IN

9 Tomada LINE OUT

10 LINK OUT

11 Apoio de Fusíveis

12 Interruptor de CORRENTE Ligado/Desligado

13 Ficha de entrada de Corrente

Colocação do subwoofer

Uma vez que o subwoofer reproduz apenas sons de frequência muito baixa, a colocação da unidade é menos exigente, em certos aspectos, do que a das colunas convencionais. A informação mais direccional é muito menos precisa existindo uma maior gama de escolha na colocação do equipamento para obter um bom efeito. Dito isto, os melhores resultados são obtidos quando o subwoofer é colocado entre as colunas ou próximo de uma delas. Se utilizar dois subwoofers, o melhor será colocar um junto de cada uma das colunas frontais.

A colocação do subwoofer atrás do ouvinte, mesmo em sistemas de som envolvente, oferece geralmente uma imagem sonora de menor qualidade; mas pode constituir um compromisso aceitável em casos de incompatibilidade com a decoração doméstica.

Como em todas as colunas, a proximidade das paredes afecta o desempenho sonoro. Os baixos são geralmente reforçados pela proximidade de superfícies. No entanto, ao contrário das colunas para toda a gama, poderá sempre ajustar o equilíbrio geral do sistema através do controlo de volume do subwoofer. Quanto mais ganho obtiver da própria sala, menos potência a coluna terá de fornecer; mas existe um contra. A colocação junto ao canto excita por vezes as ressonâncias de baixa frequência da sala, tornando os baixos menos homogéneos. Não existe qualquer forma de substituir os ensaios, uma vez que todas as salas se comportam de forma diferente, por isso deverá ensaiar várias soluções de colocação antes de tomar a decisão final. Uma peça musical com uma linha de baixos subindo ou descendo a escala musical, será útil para determinar o equilíbrio da resposta de baixos. Esteja atento à existência de notas demasiado fortes ou fracas. Com um subwoofer independente poderá otimizar a interacção com as ressonâncias da sala independentemente da colocação das

colunas satélite para uma melhor imagem sonora.

Se pretender utilizar o subwoofer num espaço exigiu, como é o caso de mobiliário feito por medida, assegure-se que existe suficiente ventilação para o amplificador integrado no equipamento. Se não estiver certo se o espaço para ventilação é adequado, consulte o seu revendedor.

O subwoofer é fornecido com quatro espigões. Estes espigões atravessam a carpete, fixando a coluna directamente ao solo sem achatar a carpete.

Se a unidade é para ser usada numa superfície vulnerável, como chão de madeira, coloque um disco de protecção em cada spike ou coloque os quatro pés de borracha no lugar dos spikes.

Quando fixar quer os pés de borracha quer os spikes, primeiro enrosque as porcas de aperto e depois enrosque os pés completamente nos orifícios com rosca na base da caixa. Se a unidade abana, desaperte os dois opostos e respectivos pés até que esteja firme, depois reaperte as porcas de aperto.

Verifique se não existem cabos sob a carpete que possam ser danificados pelos espigões.

Não desloque o equipamento sobre os espigões, pois isso pode fazer com que se soltem do equipamento e causem danos.

Tenha cuidado com os seus próprios pés, os espigões são perigosos.

Ligações eléctricas

Desligue todos os equipamentos do sistema de som da respectiva alimentação até efectuar e verificar todas as ligações. Isto assegura que não há risco de provocar avarias quando se ligam e desligam os cabos.

A função do subwoofer é receber sinais do amplificador e, onde necessário para 2 canais audio, dividir o sinal em frequências graves baixas e frequências mais altas e enviar as mesmas para as colunas satélite. As entradas dos canais esquerdo e direito podem ser combinadas num envio único mono de graves para a unidade do subwoofer se necessário.

O subwoofer possui entradas e saídas para sinais de nível de linha através de fichas RCA e sinais de nível de coluna através de bornes de 4mm localizados no painel posterior.

Utilize a tabela seguinte para escolher a forma de ligação correcta do seu sistema:

Aplicação: Cinema em Casa

O subwoofer pode ser usado com qualquer descodificador que tenha uma saída de linha para subwoofer (normalmente através de uma ficha RCA). A maioria dos descodificadores com amplificadores de potência internos ainda fazem o sinal de saída de subwoofer ou Efeitos de Frequências Baixas (LFE) a nível de linha.

- Descodificador com um ou mais subwoofers – fig. 3

Aplicação: áudio 2 canais

Amplificadores Pré e Potência separados:

- Um ou mais subwoofers com saída combinada num único sinal mono – fig. 4
- Dois subwoofers com sinais independentes esquerdo e direito – fig. 5

O Subwoofer não é compatível para uso com amplificadores integrados/pré ou potência de 2 canais.

Utilização de mais de um subwoofer

A montagem de vários subwoofers pode melhorar o desempenho da seguinte forma:

- Mantém a separação entre canais nas frequências mais baixas.
- Melhor desempenho em salas de maiores dimensões.
- Possibilita um maior nível saída – especialmente para efeitos especiais em sistemas Home Theatre.
- Suaviza os efeitos das ressonâncias de baixa frequência da sala.

Se está a usar 2 subwoofers para 2 canais audio, a separação stereo é melhorada se cada canal tiver o seu subwoofer, dando a cada um, um lugar perto da coluna satélite correspondente. Use apenas a ligação mono da figura 4 se não conseguir colocar cada subwoofer perto da sua coluna satélite.

Verificação das ligações

Antes de apreciar a qualidade de som da sua nova instalação e de efectuar o respectivo ajuste fino, volte a verificar as ligações. Os utilizadores queixam-se muitas vezes de não conseguir obter um som de qualidade decente quando ajustam os controlos, e a causa está normalmente em ligações erradas. Assegure-se que:

- A fase está correcta – não pode haver nenhuma ligação positivo para negativo para as colunas satélite. Se alguma coisa está fora de fase pode obter um som estranho com uma imagem imprecisa e flutuante, uma falta de graves ou uma combinação de ambas.
- Não devem existir trocas do canal esquerdo com o direito – isso pode resultar, por exemplo, numa disposição incorrecta da orquestra ou, pior ainda, o som do seu sistema de audiório doméstico é proveniente do lado oposto do ecrã àquela em que decorre a acção.

Ligar e desligar

Recomendamos que ligue o subwoofer antes de qualquer amplificador que receba sinais deste equipamento. De forma idêntica, quando desligar, desligue o subwoofer em último lugar.

O interruptor (4) ligado/auto/desligado não isola o amplificador completamente da fonte de alimentação. Mantém uma entrada de baixa corrente para um circuito de sensibilidade auxiliar.

O interruptor (4) funciona como a seguir se descreve:

On:

Com o computador nesta posição, o amplificador fica permanentemente ligado, e a lâmpada (1) ilumina-se de cor verde.

Auto:

Ligado inicialmente o subwoofer em Auto, o amplificador fica activo e a luz (1) fica verde. Depois de um período de 5 minutos sem entrada de sinal, o amplificador reverte automaticamente ao modo standby, e a luz fica vermelha. Quando um sinal é detectado, o amplificador fica automaticamente activo e a luz fica verde.

Standby:

Nesta posição, o amplificador está em standby, e a luz fica vermelha.

Se o subwoofer vai ficar sem uso durante um período de tempo prolongado recomendamos que o separe da fonte de alimentação, usando o interruptor POWER (11) ou mesmo retirando o cabo de corrente.

Ajuste dos controlos do subwoofer

Há 5 controlos a considerar:

- O controlo de VOLUME (2)
- O controlo de FREQUÊNCIAS BAIXAS (3)
- O selector de FASE (7)
- O interruptor de FILTRO DE FREQUÊNCIAS BAIXAS (6)
- O interruptor EQ (equalização) (5)

A posição óptima dos ajustes depende do restante equipamento utilizado com o subwoofer. Se usar mais de um subwoofer, assegure-se que a posição dos controlos de ambos é idêntica.

Uso com descodificadores de Cinema em Casa

O Subwoofer Activo B&W ASW não é um componente com certificação THX®, mas pode ser usado com um controlador THX® se desejado.

- Ponha o controlo de VOLUME do descodificador a meio do seu percurso total (12 horas)
- O acerto das FREQUÊNCIAS BAIXAS é irrelevante.
- Coloque o comutador de FASE inicialmente na posição de 0°.
- Desligue o selector de FREQUÊNCIAS BAIXAS.
- Posicione o selector EQ inicialmente na posição A.

Veja também a secção "Ajuste fino do sistema".

Se tem um controlador THX®, assegure-se de que a função subwoofer está activada. Quando assim configurada incorpora todas as configurações de nível e filtragem necessárias ao subwoofer em todos os modos. Para calibrar o nível, o teste interno de ruído e os controlos internos de nível no controlador THX® devem ser usados. Em qualquer dos casos os níveis devem ser configurados para obter 75dB SPL

(C-weighted) na posição de audição do teste de sinal interno do controlador.

Com outros descodificadores, configure as colunas frontais e traseiras para "large" ou "small" como deve ser antes de configurar os níveis. Use o sinal interno de teste de ruído e o controlo de VOLUME no subwoofer se o descodificador não tiver alcance suficiente para atingir os níveis correctos.

Existem aparelhos económicos de medida de nível de pressão sonora (nps) nas lojas de componentes electrónicos que devem ser utilizados para calibrar estes níveis.

Para 2 canais audio

- Coloque inicialmente o controlo de VOLUME na posição intermédia (12 horas).
- Coloque as FREQUÊNCIAS GRAVES inicialmente em 80Hz.
- Coloque o interruptor de FREQUÊNCIAS GRAVES em IN.
- Coloque o interruptor EQ inicialmente na posição A.
- Coloque o comutador de FASE inicialmente em 0°.

Veja também a secção "Ajuste fino do sistema".

Ajuste fino do sistema

Há duas definições para o interruptor EQ. A posição B é optimizada para permitir o subwoofer para dar os mais altos níveis de audição, enquanto que a posição A dá uma maior extensão de graves juntamente com um som mais compacto.

2 canais audio

Ajuste do selector de FASE e do controlo de FREQUÊNCIAS GRAVES estão inter-relacionados e também dependentes da frequência de corte das colunas satélite e das posições em que são colocadas todas as colunas do sistema.

Instale o sistema na posição preferida para uma audição de uma faixa que contenha um grave controlado. A melhor configuração para as FREQUÊNCIA BAIXAS depende de diferentes variáveis; o desempenho de graves e a potência recomendada das colunas satélite, o número de subwoofers usados e a sua posição relativamente às colunas satélite. O intervalo 80 – 90 Hz é um bom ponto de começo para as FREQUÊNCIAS BAIXAS. A menos que dois subwoofers estejam a ser usados para preservar a separação de informação dos canais esquerdo e direito e estejam situados perto das colunas satélite correspondentes, usando uma frequência de corte mais alta pode comprometer a imagem stereo e apenas deve ser considerada se o desempenho de graves das colunas satélite é particularmente limitado.

Para cada ajuste da frequência de corte, escute o som com o comutador de fase em ambas as posições. A posição correcta é aquela que fornece mais baixos e que depende do desempenho de baixos das colunas satélite e da distância relativa do(s)

subwoofer(s) e colunas satélite ao ouvinte. Quando utilizar mais de um subwoofer, assegure-se que cada um possui os mesmos ajustes de fase e frequência de corte.

Ajuste o ganho do subwoofer em relação aos satélites de acordo com o seu gosto. Utilize uma grande variedade de músicas para poder obter um ajuste médio, pois um som que pode impressionar em determinada peça pode exceder o limite numa outra. Faça o seu ajuste com os níveis de som habituais pois a percepção de equilíbrio varia com o nível de som.

Cinema em Casa

A situação com Cinema em Casa é em algo diferente de simples utilização Estéreo. O sinal do subwoofer (LFE) é um canal separado em vez de uma extensão do sinal das colunas. O filtro de GRAVES é desligado, porque o descodificador faz toda a filtragem para qualquer coluna definida como "small". No entanto, a posição do selector de fase deve ainda assim ser fixado. Normalmente a fase será fixada em 0°, mas se o subwoofer está posicionado a uma distância significativamente diferente das outras colunas, ou que aconteça o amplificador de potência que está a alimentar as outras colunas inverter o sinal, a posição 180° pode ser a melhor. Ouça com o selector em ambas as posições e escolha a que lhe dá o som mais completo. Se houver uma pequena diferença, deixe o selector a 0°.

Os Descodificadores têm habitualmente um sinal de ruído calibrado que pode ser usado para configurar os níveis de todas as colunas, tornando esta tarefa muito mais avançada do que para utilizações Estéreo. No entanto, não tenha medo de alterar as definições para as suas preferências. É também muito fácil deixar-se levar com as capacidades do subwoofer, especialmente com alguns efeitos de frequências baixas. Frequentemente consegue-se um desempenho mais real e a longo prazo mais satisfatório regulando o subwoofer a um nível abaixo do nível normal da calibragem.

Para todas as aplicações

Se tiver problemas de desequilíbrio na reprodução de baixos – com algumas notas baixas exageradas em relação a outras – isto quer dizer que terá provavelmente um problema de interacção com a própria sala de audição, que poderá em princípio ser resolvido alterando a posição do subwoofer. Aquilo que poderá parecer uma pequena alteração de posição – cerca de 15cm – poderá produzir um profundo efeito no som. Experimente levantar o subwoofer do chão assim como a deslocação lateral do mesmo. A utilização de vários subwoofers pode suavizar o efeito das ressonâncias da sala uma vez que cada subwoofer tem tendência para excitar ressonâncias a frequências diferentes. Se alterar de forma apreciável as distâncias relativas do(s) subwoofer(s) e colunas satélite ao ouvinte, controle novamente a posição do comutador de fase. Deverá também verificar o ajuste de nível do subwoofer

(utilizzando tanto o controllo de nível de saída do descodificador ou o controlo de volume do amplificador do subwoofer), mas apenas após escolher a posição correcta do computador de fase.

Cuidados com o subwoofer

A caixa do subwoofer pode ser limpa apenas com um pano seco. Se preferir utilizar um produto de polimento em spray, deverá pulverizar sobre o pano e depois aplicar (nunca pulverizar directamente sobre o equipamento). Remova cuidadosamente a grelha afastando-a da caixa e limpe-a com uma escova macia.

Não utilize o subwoofer como mesa. Os objectos colocados sobre ele chocamham e deterioram a qualidade de som. Os líquidos são particularmente perigosos (por exemplo bebidas ou vasos de flores), deve pois conservá-los o mais possível afastados do equipamento.

Se o seu sistema não for utilizado por um longo período de tempo, desligue o subwoofer da alimentação.

Nota: O Subwoofer desligar-se-á automaticamente se receber uma sobrecarga. Se isso acontecer, reconfigure o subwoofer desligando-o e voltando a ligar, usando o interruptor Power on/off no painel do amplificador.

Italiano

Garanzia limitata

Egredo cliente

Un benvenuto da parte della B&W.

Questo prodotto è stato progettato e fabbricato secondo i più alti standard qualitativi. Tuttavia, nell'improbabile caso di un guasto o malfunzionamento, B&W Loudspeakers e i suoi distributori nazionali garantiscono parti sostitutive e mano d'opera gratuite (alcune eccezioni sono possibili) nei paesi in cui è presente un distributore ufficiale B&W.

Questa garanzia limitata è valida per un periodo di cinque anni dalla data di acquisto o di due anni per i componenti elettronici, altoparlanti inclusi.

Termini e condizioni

- 1 La garanzia è limitata alla sola riparazione delle apparecchiature. La garanzia non copre i costi di trasporto o nessun altro tipo di costo, né i rischi derivanti dalla rimozione, il trasporto e l'installazione dei prodotti.
- 2 La garanzia è valida solo per l'acquirente originario e non è trasferibile.
- 3 Questa garanzia è applicabile solo in caso di materiali e/o fabbricazione difettosi al momento dell'acquisto e non è applicabile nei seguenti casi:
 - a danni causati da installazione, connessione o imballaggio incorretti,
 - b danni causati da un uso inadeguato del prodotto, diverso dall'uso specificato nel manuale dell'utente, negligenza, modifiche o impiego di componenti non fabbricati o autorizzati da B&W,
 - c danni causati da apparecchiature ausiliarie difettose o inadatte,
 - d danni causati da incidenti, fulmini, acqua, fiamme, calore, guerra, disordini pubblici o altra causa al di fuori del ragionevole controllo di B&W e i suoi ufficiali distributori,
 - e quando il numero di serie del prodotto è stato alterato, cancellato, rimosso o reso illeggibile,
 - f se riparazioni o modifiche sono state effettuate da persone non autorizzate.
- 4 Questa garanzia completa le obbligazioni di legge regionali e nazionali dei rivenditori o distributori nazionali e non incide sui diritti del consumatore stabiliti per legge.

Riparazioni sotto garanzia

Se sono necessarie delle riparazioni, seguire le procedure delineate qui di seguito:

- 1 Se le apparecchiature sono utilizzate nel paese in cui sono state acquistate, contattare il rivenditore autorizzato B&W da cui sono state acquistate.
- 2 Se le apparecchiature non sono utilizzate nel paese in cui sono state acquistate, contattare il distributore

nazionale B&W nel paese di residenza, che sarà in grado di fornire i dettagli della ditta incaricata delle riparazioni. Contattare B&W nel Regno Unito o visitare il sito web per i dettagli dei vari distributori di zona.

Per convalidare la garanzia, bisognerà esibire questo opuscolo, compilato e timbrato dal rivenditore il giorno dell'acquisto. In alternativa, si potrà esibire lo scontrino d'acquisto originale o altro tipo di prova d'acquisto con data d'acquisto.

Manuale di istruzioni

IMPORTANTI ISTRUZIONI DI SICUREZZA



ATTENZIONE
RISCHIO DI SCOSSA ELETTRICA
NON APRIRE



Avvertenza:

Per ridurre il rischio di scossa, non togliete il pannello posteriore e non esponete l'apparecchio a pioggia o umidità. Non contiene parti utili per l'utente. Per l'assistenza fate riferimento a personale qualificato.

Spiegazione dei simboli grafici:



Il fulmine inserito in un triangolo vi avverte della presenza di materiale non isolato ad "alto voltaggio" all'interno del prodotto che può costituire pericolo di folgorazione.



Il punto esclamativo entro un triangolo equilatero vi avverte della presenza di istruzioni importanti per l'utilizzo e la manutenzione nel manuale che accompagna l'apparecchiatura.

PRIMA DELL'USO:

- 1 Leggere le istruzioni – Le istruzioni d'uso e di sicurezza dovrebbero essere lette prima dell'utilizzo del prodotto.
- 2 Conservare le istruzioni – Le istruzioni d'uso e di sicurezza vanno conservate per farvi riferimento in futuro.
- 3 Precauzioni – Seguite tutte le avvertenze e le istruzioni di sicurezza riportate in questo manuale e sul prodotto stesso.
- 4 Seguite le istruzioni – Seguite tutte le indicazioni sull'utilizzo del prodotto.
- 5 Installazione – Installate l'apparecchio seguendo le istruzioni del costruttore.
- 6 Alimentazione – L'apparecchiatura dovrebbe essere collegata solamente a una sorgente elettrica del tipo e del voltaggio indicato sul pannello posteriore. Se non siete sicuri del tipo

- di alimentazione che avete in casa consultate il vostro ente fornitore di energia elettrica.
- 7 Messa a terra o polarità – L'apparecchio non necessita di messa a terra. Assicuratevi che la spina sia completamente inserita nella presa o nella prolunga per evitare l'esposizione della parte in tensione. Alcune versioni del prodotto vengono fornite di un cavo di alimentazione provvisto di spina polarizzata (una spina con una lamella più larga delle altre). Questa spina entra nella presa di alimentazione solo in un senso per una questione di sicurezza. Se non riuscite ad inserire la spina completamente in un senso provate a girarla. Se ancora non riuscite ad inserirla completamente, contattate il vostro elettricista per sistemarla. Non cercate di modificare il cavo fornito o la spina polarizzata. Se dovete utilizzare una prolunga o un cavo di alimentazione diverso da quello fornito in dotazione, assicuratevi che sia appropriato per l'uso che dovete farne e che rispetti le norme di sicurezza vigenti nel vostro paese.
- 8 Protezione del cavo di alimentazione – Non fate passare i cavi di alimentazione dove potrebbero essere calpestati o danneggiati da oggetti posti vicino o sopra di essi, fate particolare attenzione al posizionamento del cavo di alimentazione in corrispondenza della presa e dal punto da cui esce dall'apparecchiatura.
- 9 Sovraccarico – Non sovraccaricate le prese di alimentazione, prolunghe o accessori di derivazione.
- 10 Ventilazione – Il pannello posteriore dell'amplificatore posto dietro al prodotto è parte integrante del sistema di raffreddamento e non dovrebbe essere soffocato posizionandolo su un letto, divano, tappeto, o superfici simili che possano bloccare le aperture di ventilazione. Non coprite il pannello dell'amplificatore con nessun oggetto come panni di copertura, giornali, ecc. Assicuratevi che sia ventilato adeguatamente e che l'aria circoli dietro al pannello posteriore dell'amplificatore. Dovrebbe esserci uno spazio di almeno 50mm tra la parte posteriore del prodotto e la superficie più vicina. Se il prodotto viene inserito in un contenitore chiuso come uno scaffale, in una libreria, in un cabinet o in una installazione chiusa, deve essere prevista una sufficiente ventilazione: a) 12 mm di spazio libero dal top, dai lati e dal fondo; b) due condotti di almeno 150mm quadrati, tra il cabinet e le pareti interne del contenitore, larghi 300mm per 50 mm di profondità, tenendo conto sempre della ventilazione sul pannello posteriore del prodotto.
- 11 Fonti di calore – L'apparecchio dovrebbe essere posizionato lontano da fonti di calore come caloriferi, stufette o altri prodotti (inclusi gli amplificatori) che producano calore. Nessuna fiamma nuda, ad esempio
- una candela accesa dovrebbe essere appoggiata sul prodotto.
- 12 Montaggio a muro o a soffitto – L'apparecchio può essere montato a soffitto o a muro seguendo le precauzioni del produttore.
- 13 Umidità – Non esponete questo prodotto vicino all'acqua – o per esempio, vicino a tubazioni, lavandini, cucine, tubi della lavatrice, vicino a piscine o ambienti umidi in genere.
- 14 Oggetti o liquidi caduti nel prodotto – Non inserite mai oggetti di ogni genere all'interno del prodotto attraverso le fessure, potrebbero toccare parti in tensione o cortocircuitare componenti che provocherebbero scosse elettriche o fiamme che potrebbero provocare incendi. Non spruzzate mai liquidi di nessun genere sul prodotto.
- 15 Pulizia – Scollegate l'alimentazione dell'apparecchio prima di pulirlo. Seguite le istruzioni riportate nella sezione manutenzione. Il cabinet del subwoofer può essere pulito sponderandolo con un panno asciutto. Se preferite utilizzare un prodotto spray per la pulizia, non spruzzatelo direttamente sul cabinet, spruzzatelo sul panno. Rimuovete la griglia di protezione, altrimenti il tessuto si potrebbe macchiare, facendo attenzione a non danneggiare la membrana dell'altoparlante. Il panno della griglia può essere pulito con una spazzola morbida.
- 16 Fissaggi – Non utilizzare supporti di fissaggio non raccomandati dal produttore, potrebbero creare problemi.
- 17 Accessori – Non posizionare questo prodotto su carrelli, piedistalli, treppiedi, mensole o tavoli instabili. Il prodotto potrebbe cadere e danneggiarsi o causare danni ad adulti o bambini. Utilizzate solo piedistalli o stand raccomandati dal costruttore o venduti con il prodotto. Ogni installazione di questo prodotto deve sempre seguire le istruzioni di montaggio e devono sempre essere utilizzati accessori raccomandati dal costruttore.
- 18 Spostamento dell'apparecchio – Il prodotto posizionato su un supporto deve sempre essere spostato con molta cautela. Fare movimenti bruschi, spingere troppo forte o trascinarlo su superfici sconnesse potrebbe causare il rovesciamento dell'apparecchio e del supporto. Controllate che non ci siano cavi sotto il tappeto prima di posizionarlo che potrebbero essere danneggiati dalle punte sulla base. Non trascinate il prodotto sui piedini che si potrebbero staccare dal cabinet e danneggiarsi. Fate attenzione a non procurarvi ferite con le punte del cabinet.
- 19 Periodi di non utilizzo – Il cavo di alimentazione andrebbe scollegato dalla presa di corrente durante
- temporali o quando l'apparecchio non viene utilizzato per lunghi periodi.
- 20 Riparazione – Non cercate di riparare da soli questo prodotto, l'apertura o la rimozione di componenti della struttura potrebbe esporre parti in tensione o procurare altri rischi. Per ogni tipo di intervento interpellate il centro di assistenza qualificata.
- 21 Necessità di assistenza tecnica – Scollegate il prodotto dall'alimentazione e consultate il vostro centro di assistenza tecnica autorizzato per le seguenti anomalie:
- Quando il cavo di alimentazione o la spina siano stati danneggiati.
 - Se del liquido o degli oggetti siano penetrati nell'apparecchio.
 - Se l'apparecchio è stato esposto a pioggia o acqua.
 - Se il prodotto non funziona normalmente seguendo le istruzioni. Eseguite la taratura del prodotto solo come descritto sulle istruzioni d'uso, una errata impostazione o modifica di altri componenti potrebbe comportare un notevole lavoro da parte di un tecnico dell'assistenza per riportare il prodotto alle condizioni originali di funzionamento.
 - Se l'apparecchio è stato danneggiato o manomesso.
 - Se le prestazioni dell'apparecchio dovessero cambiare nel tempo, questo indica che necessita un intervento tecnico.
- 22 Sostituzione di parti – Quando si rende necessario sostituire un componente, assicuratevi che il centro assistenza utilizzi solo ricambi originali. Riparazioni con ricambi non appropriati potrebbero danneggiare l'apparecchio e causare rischi di scossa elettrica o incendi.



- 23 Fusibili principali – Per avere sempre la sicurezza della protezione contro rischi di corto circuiti o danni causati da incendi, utilizzate sempre fusibili appropriati. L'amplificatore è stato costruito per funzionare con una tensione di alimentazione da 100V a 230V alternata, vengono quindi utilizzati diversi tipi di fusibili in base alla tensione di rete. Le specifiche dei fusibili da utilizzare, per il corrispondente valore di tensione di rete, sono riportate sul prodotto.
- 24 Controlli di sicurezza – Dopo ogni intervento di manutenzione o riparazione sull'apparecchio, richiedete al tecnico di effettuare un controllo generale dei dispositivi di sicurezza per assicurarsi che il prodotto operi nelle condizioni ottimali.
- 25 Campi magnetici – Questo prodotto crea un campo magnetico diffuso. Non posizionare nessun oggetto che potrebbe venire danneggiato da questo

campo magnetico (ad esempio televisori a tubo catodico, monitor di computer, cassette audio e video o carte magnetiche) nel raggio di 0,5m dall'apparecchio. Il campo magnetico potrebbe causare distorsioni dell'immagine prodotta dal tubo catodico del televisore se posto al di sotto della distanza minima consigliata.

Introduzione

Grazie per aver acquistato il subwoofer attivo ASW CDM B&W.

Fin dalla sua fondazione nel 1966, la costante filosofia di B&W è stata quella di ricercare una perfetta riproduzione del suono. Questa ricerca ispirata dal fondatore della società, John Bowers, ha comportato non solo un elevato investimento in tecnologia audio ed innovazioni, ma ha anche significato una costante rivalutazione della musica e della qualità sonora nei film per garantire il massimo rendimento della tecnologia stessa.

Questo subwoofer è stato progettato per sistemi Home Theater e per aumentare le prestazioni dei diffusori "full-range" alle basse frequenze nell'uso audio a 2 canali. Aggiungendo il subwoofer al vostro sistema non solo estende le basse frequenze a ottave inferiori, ma migliora la purezza della gamma media, riducendo le richieste di basse frequenze ai vostri attuali diffusori.

Vi preghiamo di leggere attentamente questo manuale prima di usare il subwoofer. Tutte le installazioni audio richiedono alcune prove al fine di utilizzare in maniera ottimale i prodotti e questo manuale vi guiderà in questo procedimento.

Appena collegato il subwoofer alla rete di alimentazione, è importante conoscere le istruzioni di sicurezza e seguire le avvertenze.

Conservate questo manuale in un posto sicuro per ulteriori consultazioni.

I prodotti B&W sono distribuiti in più di 60 paesi in tutto il mondo e disponiamo di una rete internazionale di distributori devoti ed accuratamente selezionati. Se avete un problema che il vostro rivenditore non è in grado di risolvere, i nostri distributori saranno più che felici di assistervi.

Sbalaggio

(figura 1)

Il modo migliore per sbalare il subwoofer evitando di causare danni è il seguente:

- Aprite totalmente i lembi della scatola e capovolgete il cartone e il suo contenuto.
- Sollevate il cartone togliendolo dal prodotto.

Vi raccomandiamo di conservare l'imballo oltre un successivo utilizzo.

Oltre a questo manuale, l'imballo dovrebbe contenere:

1 Subwoofer

1 Pacchetto di accessori contenente:

4 piedini in gomma

4 punte

4 dadi di fissaggio

1 Documento di garanzia internazionale.

Uno sguardo al subwoofer

(figura 2)

1 Spia Alimentazione/Standby

2 Controllo VOLUME

3 Controllo FREQUENZA PASSA – BASSO

4 Interruttore MODE On/Auto/Standby

5 Interruttore di Equalizzazione

6 Interruttore di by-pass del filtro PASSA – BASSO

7 Interruttore di FASE

8 Connettori LINE IN

9 Connettori LINE OUT

10 Connettori livello LINK OUT

11 Commutatore ACCENSIONE

12 Alloggiamento per fusibile

13 Presa di ingresso di alimentazione

Posizionamento del subwoofer

Poiché il subwoofer riproduce solo note molto basse, il posizionamento è in qualche modo meno impegnativo di quello dei diffusori a gamma estesa. La direzionalità dell'informazione musicale è molto meno precisa e voi avete maggiore scelta sul posizionamento dei diffusori per ottenere il miglior effetto. Detto questo, i risultati migliori si ottengono se il subwoofer viene collocato tra i diffusori satellite o in prossimità di uno di essi. Se utilizzate due subwoofer, è meglio collocarne uno vicino ad ogni diffusore satellite.

Collocando il subwoofer dietro agli ascoltatori, anche in installazioni con suono surround, generalmente crea un'immagine inferiore, tuttavia può risultare un compromesso accettabile nel caso fosse dettato da considerazioni domestiche.

Così come con tutti i diffusori, la vicinanza con le pareti della stanza condiziona il suono. Generalmente i bassi aumentano quando più superfici sono molto vicine ai diffusori. Tuttavia, a differenza dei diffusori a gamma estesa, potete sempre ricreare il corretto bilanciamento di tutto il sistema, modificando il livello del volume del subwoofer. Più la stanza tende ad amplificare le basse frequenze, meno il subwoofer deve lavorare. Ma c'è un inconveniente. Le posizioni d'angolo stimolano maggiori risonanze a bassa frequenza nella stanza, rendendo il basso più irregolare.

Non c'è alcuna alternativa alla sperimentazione in quanto la stanza si comporta diversamente, pertanto provate il subwoofer in varie posizioni prima di prendere la decisione finale. Un brano musicale con una scala di bassi ascendente e discendente è utile per determinare la linearità della risposta alle basse frequenze. Ascoltate gli estremi della gamma dei bassi. La presenza di un subwoofer separato vi consente di ottimizzare le risonanze sonore della stanza

indipendentemente dalla collocazione dei diffusori satellite per un'immagine ottimale.

Se il subwoofer deve essere utilizzato in uno spazio angusto (per esempio in un mobile apposito), lo spazio deve essere ventilato per consentire una sufficiente circolazione d'aria per raffreddare l'unità. Chiedete consiglio al vostro rivenditore.

Il subwoofer viene fornito con quattro piedini a punta. Le punte trapassano la trama del tappeto fornendo un solido sostegno direttamente sulla superficie del pavimento senza rompere la trama.

Se il subwoofer deve essere collocato su una superficie delicata, come un pavimento in legno, o collocate un dischetto protettivo sotto ogni punta o applicate al posto delle punte i quattro piedini in gomma.

Quando sistemate sia i piedini in gomma sia le punte, avvitate prima completamente i dadi alla filettatura, poi avvitate i piedini saldamente sugli inserti filettati alla base del cabinet. Se l'unità oscilla, allentate le due punte opposte che sporgono fino a che il sostegno è stabile poi riavvitate i dadi agli inserti.

Controllate che non ci siano cavi sotto il tappeto che potrebbero venire danneggiati dalle punte.

Non spostate il sistema con le punte applicate perché i piedini conici potrebbero staccarsi dal cabinet e danneggiarlo.

Fate attenzione a non trapassarsi i piedi con le punte.

Collegamenti elettrici

Scollegate tutto l'impianto audio dalla rete di alimentazione fino a che i collegamenti di segnale sono stati effettuati e controllati. Ciò evita il rischio di danni mentre i collegamenti vengono effettuati o che questi possono essere interrotti.

La funzione del subwoofer è quella di ricevere segnali dalla catena di amplificazione, dove necessario per l'audio stereo a 2 canali, suddividere il segnale in frequenze basse e frequenze più alte ed inviare quest'ultime ai diffusori satellite. Gli ingressi del canale destro e sinistro possono essere uniti in un unico segnale mono alle bassissime frequenze e inviato all'unità subwoofer se necessario.

Il subwoofer può ricevere ed inviare segnali di livello linea attraverso le prese RCA Phono collocate sul pannello posteriore.

Utilizzate le seguenti indicazioni per scegliere il corretto metodo di cablaggio per la vostra installazione:

Applicazione: Home Theater

Il subwoofer può essere utilizzato con qualsiasi decoder che abbia un'uscita per subwoofer di livello di linea (normalmente da una presa Phono RCA). La maggior parte dei decoder con finali di potenza integrati erogano il segnale del subwoofer o degli effetti di bassa frequenza (LFE) al livello di linea.

- Decoder con uno o più subwoofer – figura 3.

Applicazioni: per audio a 2 canali

Preamplificatori e finali di potenza separati:

- Uno o più subwoofer con uscita abbinata in un segnale mono unico – fig.4
- Due subwoofer con segnale destro e sinistro separati – fig.5

Il subwoofer non è compatibile per l'utilizzo con amplificatori integrati a 2 canali.

Uso con più di un subwoofer

Usando più di un'unità in un'unica installazione si può migliorare la resa in questo modo:

- Mantenendo la separazione stereo alla frequenza più basse.
- Sfruttando stanze più grandi.
- Rendendo possibile un'uscita sonora più elevata – spesso utile per riprodurre gli effetti speciali nelle applicazioni Home Theater.
- Regularizza gli effetti delle risonanze nelle stanze sulle basse frequenze.

Se state utilizzando due subwoofer per un audio a 2 canali, la separazione stereo viene migliorata se ogni canale ha il proprio subwoofer, purché ciascuno sia collocato vicino al diffusore satellite importante. Utilizzate solamente i collegamenti mono della figura 4 se non potete collocare ogni diffusore vicino al suo diffusore satellite.

Controllo accurato dei collegamenti

Prima di ascoltare la qualità sonora della vostra nuova installazione e di metterla a punto, controllate accuratamente i collegamenti. Troppo spesso gli utenti si lamentano di non riuscire ad ottenere un suono decente nonostante regolino i controlli per poi scoprire che qualche collegamento è stato effettuato male. Assicuratevi che:

- La fase sia corretta – non ci dovrebbero essere collegamenti da positivo a negativo verso i diffusori satellite. Se qualcosa è fuori fase potete notare un suono confuso con un'immagine precisa e fuori fase, una mancanza di basse frequenze o una combinazione delle due.
- Il canale destro e sinistro non siano invertiti – questo può produrre come risultato, per esempio, che l'orchestra si trovi nella posizione opposta o, ancor peggio, che i suoni nel vostro sistema home theater vadano nella direzione opposta all'azione sullo schermo.

Accensione e spegnimento

Vi raccomandiamo di accendere il subwoofer prima che qualsiasi amplificatore di potenza riceva segnali dal subwoofer. Allo stesso modo, quando lo spegnete, disinserite il subwoofer per ultimo.

L'interruttore MODE standby/auto/on (4) non isola completamente l'amplificatore dall'alimentazione. Conserva un ingresso a bassa alimentazione a un circuito ausiliario censibile.

L'interruttore (4) funziona in questo modo:

On:

Con l'interruttore in questa posizione, l'amplificatore resta acceso e la spia è verde.

Auto:

Non appena si attiva il subwoofer su Auto, l'amplificatore diventa completamente attivo e la spia (1) diventa verde. Dopo un periodo di circa 5 minuti senza un segnale di ingresso, l'amplificatore ritorna automaticamente in modalità standby e la spia diventa rossa. Quando viene individuato un segnale in ingresso, l'amplificatore diventa automaticamente attivo e la spia diventa verde.

Standby:

In questa posizione l'amplificatore è in standby costante e la luce è rossa.

Se il subwoofer rimarrà inattivo per un lungo periodo, vi raccomandiamo di isolarlo dall'alimentazione sia usando il tasto POWER (11) sia scollegandolo dalla presa di corrente.

Regolazione dei comandi

Ci sono 5 comandi da considerare:

- Il comando del VOLUME (2)
- Il comando di FREQUENZA PASSA – BASSO (3)
- L'interruttore di FASE (7)
- L'interruttore FILTRO PASSA – BASSO (6)
- L'interruttore di EQ (equalizzazione) (5)

Le regolazioni ottimali dipendono dagli altri apparecchi utilizzati con il subwoofer. Se utilizzate più di un subwoofer, assicuratevi che i comandi su ciascuno siano gli stessi.

Utilizzo con decoder home theater

Il subwoofer attivo ASW B&W non è un componente con certificazione THX®, ma può essere utilizzato con un preamplificatore THX® se desiderato.

- Spostate il controllo VOLUME in posizione media (ore 12).
- La regolazione del comando di FREQUENZA PASSA – BASSO è irrilevante.
- Spostate l'interruttore FASE inizialmente su 0°.
- Regolate l'interruttore FREQUENZA PASSA – BASSO su OUT.
- Regolate l'interruttore EQ inizialmente in posizione A.

Consulta anche il paragrafo sulla perfetta "messa a punto".

Se avete un'unità di controllo THX®, assicuratevi che la funzione subwoofer sia abilitata. In questa configurazione tutti i filtri e le regolazioni di livello necessarie al subwoofer in tutti i modi risultano inseriti. Per la calibrazione di livello, il test di rumore interno e i controlli di livello di canali dovrebbero essere usati. In tutti i casi, i livelli dovrebbero essere regolati in modo tale da ottenere 75dB SPL di pressione sonora (pesato C) nella posizione di ascolto

dal segnale test di rumore interno dell'unità di controllo.

Con altri decoder, configurate i diffusori anteriori e surround come "large" o "small" come corretto prima di regolare i livelli. Utilizzate il segnale interno di verifica del disturbo e i controlli di volume del decoder per regolare i livelli di tutti i diffusori. Cambiate solamente il comando del VOLUME sul subwoofer se non c'è nel decoder gamma sufficiente per raggiungere i giusti livelli.

Misuratori di livello sonoro poco costosi sono facilmente reperibili presso i negozi di elettronica e dovrebbero essere usati per regolare accuratamente i livelli. Fate riferimento al manuale di istruzioni per ulteriori dettagli sulle regolazioni dei livelli.

Utilizzo per l'audio a 2 canali

- Inizialmente regolate il comando del VOLUME in posizione centrale (ore 12).
- Inizialmente regolate la FREQUENZA PASSA – BASSO a 80Hz.
- Regolate l'interruttore di FREQUENZA PASSA – BASSO su IN.
- Inizialmente regolate l'interruttore EQ in posizione A.
- Posizionate il commutatore di FASE inizialmente a 0°.

Vedere anche la sezione "messa a punto".

Messa a punto

Ci sono due regolazioni dell'interruttore EQ. La posizione B viene ottimizzata per consentire al subwoofer di fornire i più alti livelli di ascolto, mentre la posizione A offre una maggiore estensione sulle basse frequenze abbinata ad un suono più controllato.

Audio a 2 canali

Le regolazioni ottimali del commutatore di FASE e della frequenza del filtro PASSA – BASSO sono correlate e dipendono anche dalla caratteristica di taglio alle basse frequenze dei diffusori satellite e dalle relative posizioni di tutti i diffusori dell'impianto.

Collocate il sistema nella posizione preferita ed ascoltate alcuni brani con un ricco contenuto di basse frequenze. La regolazione ottimale della FREQUENZA PASSA – BASSO dipende da diverse variabili – la risposta ai bassi e la potenza di pilotaggio dei diffusori satellite, il numero dei subwoofer utilizzati e la loro posizione rispetto ai diffusori. La gamma degli 80-90Hz è un buon punto di partenza per il filtro PASSA – BASSO. A meno che non vengano utilizzati due subwoofer per garantire un'informazione musicale separata nei canali destro e sinistro, e questi sono collocati vicino ai diffusori principali, l'utilizzo di una frequenza di taglio più alta può alterare l'immagine stereo e dovrebbe essere presa in considerazione solo nel caso in cui la risposta sui bassi sei diffusori satellite fosse particolarmente limitata.

Ad ogni regolazione della frequenza di taglio, ascoltate, con il commutatore di fase

in entrambe le posizioni. Quella corretta vi darà il basso più corposo e questo dipenderà dalle caratteristiche di risposta alle basse frequenze dei vostri diffusori satelliti e dalle relative distanze del/dei subwoofer e dei satelliti dall'ascoltatore. Quando utilizzate più di un subwoofer, assicuratevi che ognuno di essi abbia commutatori di fase e di frequenza di taglio nella stessa posizione.

Regolate il loudness del subwoofer rispetto ai diffusori satelliti a vostro piacimento. Usate un'ampia varietà di brani per trovare una regolazione ottimale. Se un pezzo musicale ad un livello di regolazione ha un suono eccezionale, un altro brano allo stesso livello di loudness può risultare eccessivamente potente. Ascoltate a livelli realistici poiché la percezione del bilanciamento varia in funzione del livello sonoro.

Home Theater

La situazione con l'home theater è in un certo senso diversa dall'audio a 2 canali. Il segnale del subwoofer (LFE) è un canale separato più che un'estensione del segnale ai diffusori satelliti. Il filtro PASSA – BASSO viene disattivato perché il decoder fornisce tutti i filtri per qualsiasi diffusore posto su "small". Tuttavia, la posizione dell'interruttore di fase deve ancora essere definita. Normalmente la fase sarà posta a 0°, ma se il subwoofer viene posto a una notevole distanza dagli altri diffusori, oppure l'amplificatore di potenza che pilota gli altri diffusori, inverte per caso il segnale, potrebbe essere consigliabile la posizione 180°. Ascoltate con l'interruttore in entrambe le posizioni e scegliete quello che fornisce il suono più pieno.

In genere, i decoder hanno un segnale di disturbo calibrato che può essere utilizzato per definire i livelli relativi ai tutti i diffusori, rendendo il compito in un certo senso più semplice che non l'audio a 2 canali. Tuttavia, non temete di alternare le regolazioni secondo le vostre preferenze. E' fin troppo facile lasciarsi trasportare dalle possibilità del subwoofer, in particolare modo con alcuni effetti sulle basse frequenze. Spesso un'immagine più realistica e una più soddisfacente a lungo termine, è possibile ottenerla regolando il livello del subwoofer più basso del livello di calibrazione standard.

Tutte le applicazioni

Se avete problemi di bassi eccessivi - se alcune note basse sono esuberanti più di altre - probabilmente avete problemi di interfaccia con l'ambiente d'ascolto ed è consigliabile intervenire sul posizionamento del subwoofer. Quelli che possono sembrare piccoli spostamenti - circa 15 cm - possono avere effetti molto rilevanti sul suono. Provate ad alzare il subwoofer dal pavimento spostandolo anche dai lati. L'utilizzo di più subwoofer può attenuare gli effetti delle risonanze della stanza poiché ogni subwoofer tenderà a stimolare risonanze a frequenze diverse. Se modificate in modo considerevole le distanze fra i subwoofer e i diffusori satelliti e gli ascoltatori, ridefinite la regolazione della fase. Dovreste anche verificare il livello

del subwoofer (utilizzando sia i livelli di uscita dal decoder, sia il controllo volume sull'amplificatore del subwoofer in maniera adeguata) ma solo dopo aver regolato correttamente la fase.

Manutenzione del subwoofer

Il cabinet del subwoofer potrebbe essere pulito spolverandolo con un panno asciutto. Se desiderate utilizzare un prodotto spray per la pulizia, non spruzzatelo direttamente sul cabinet, ma sul panno. Rimuovete prima la griglia in modo tale che il tessuto non si macchi, facendo attenzione a non arrecare danno all'unità altoparlante. La griglia può essere pulita usando una spazzola morbida.

Non usate il subwoofer come un tavolo. Quando è in funzione, gli oggetti lasciati sul piano superiore tendono a vibrare. In particolare, evitate il rischio che liquidi vengano versati (ad esempio bevande o vasi di fiori).

Se il sistema non viene usato per parecchio tempo, scollegate il subwoofer dalla rete di alimentazione.

Nota: il subwoofer si disattiva automaticamente se sovrasolicitato. Se ciò accade, resettate il subwoofer spegnendolo e poi riaccendendolo dall'interruttore on/off sul pannello dell'amplificatore.

Nederlands

Beperkte garantie

Beste klant,

Welkom bij Bowers & Wilkins. Dit product is volgens de hoogste kwaliteitsnormen ontworpen en vervaardigd. Mocht er iets defect raken, dan biedt B&W Loudspeakers en haar nationale distributeurs u vervangende onderdelen en wordt geen arbeidloon in rekening gebracht (behoudens een paar uitzonderingen). Dit geldt in elk land waar een officiële B&W distributeur gevestigd is.

De beperkte garantie geldt voor een periode van vijf jaar vanaf de datum van aankoop, en twee jaar voor de elektronica van actieve luidsprekers.

Voorwaarden

- 1 De garantie is beperkt tot de reparatie van de apparatuur. Transport- of andere kosten, noch het verwijderen, vervoeren en installeren van producten vallen niet onder deze garantie.
- 2 De garantie geldt alleen voor de eerste eigenaar en is niet overdraagbaar.
- 3 Deze garantie is niet van toepassing in andere gevallen dan defecten van materialen en/of fabricage ten tijde van aankoop en is niet van toepassing in de volgende gevallen:
 - a Schade veroorzaakt door onjuiste installatie, aansluiting of verpakking.
 - b Schade veroorzaakt door afwijkend gebruik dan in de handleiding beschreven, nalatigheid, wijziging, dan wel gebruik van onderdelen die niet door B&W goedgekeurd of gefabriceerd zijn.
 - c Schade veroorzaakt door een defect of ongeschiktheid van aangesloten apparatuur.
 - d Schade veroorzaakt door ongeval, bliksem, water, brand, hitte, oorlog, openbaar geweld of enige andere oorzaak die buiten de invloed van B&W en haar distributeurs valt.
 - e Voor producten waarvan het serienummer gewijzigd, verwijderd, of onleesbaar gemaakt is.
 - f Wanneer reparaties of wijzigingen uitgevoerd zijn door een onbevoegd persoon.
- 4 Deze garantie is een aanvulling op eventuele nationale / regionale wettelijke verplichtingen voor dealers en nationale distributeurs en heeft geen invloed op uw statutaire rechten als consument.

Claimen van reparaties onder de garantie

Mocht u aanspraak menen te kunnen maken op garantie, ga dan als volgt te werk:

- 1 Wordt de apparatuur gebruikt in het land van aankoop, neem dan contact op met de erkende B&W dealer waar u de apparatuur gekocht heeft.

2 Wanneer de apparatuur wordt gebruikt in een ander land dan het land van aankoop, neem dan contact op met de nationale distributeur van B&W in het land waar u verblijft. Deze kan u vertellen waar u de apparatuur kunt laten repareren. In Groot-Brittannië kunt u contact met B&W opnemen of onze website bezoeken voor het adres van uw plaatselijke distributeur.

Om aanspraak op garantie te kunnen maken, wordt u gevraagd de ingevulde garantiefolder, op de aankoopdatum door uw dealer afgestempeld, te tonen. Een andere mogelijkheid is het originele aankoopbewijs of ander bewijs van eigendom en aankoopdatum tonen.

Handleiding

BELANGRIJK VOOR UW VEILIGHEID



Waarschuwing:

Om het risico van elektrische schokken te vermijden de achterzijde niet openen. Er bevinden zich geen door de gebruiker te onderhouden onderdelen in het apparaat. Laat service over aan gekwalificeerde technici.

Betekenis van de symbolen:



Het symbool van de bliksemschicht in een gelijkzijdige driehoek waarschuwt de gebruiker voor de aanwezigheid van ongeïsoleerde, gevaarlijke spanningen binnen in het apparaat. Deze spanningen kunnen elektrische schokken veroorzaken.



Het uitroepteken in een gelijkzijdige driehoek waarschuwt de gebruiker voor de aanwezigheid van belangrijke informatie aangaande onderhoud en service in de gebruiksaanwijzing.

WAARSCHUWING:

- 1 Lees de aanwijzingen – Lees alle aanwijzingen over veiligheid en bediening zorgvuldig door voordat u het apparaat in gebruik neemt.
- 2 Bewaar de aanwijzingen – Berg deze aanwijzingen op een veilige plaats op voor later gebruik.
- 3 Neem waarschuwingen serieus – Houd rekening met alle aanwijzingen zowel op het apparaat als in deze handleiding.

4 Volg de aanwijzingen op – Volg alle aanwijzingen over veiligheid nauwgezet op.

5 Installeren – Volg bij het installeren nauwgezet de aanwijzingen van de fabrikant op.

6 Netspanning – Gebruik het apparaat alleen op de netspanning die op de achterzijde van het apparaat staat aangegeven. Bent u niet zeker van de juiste spanning, raadpleeg dan uw leverancier.

7 Aarde – Dit apparaat heeft geen randaarde nodig. Zorg dat de netstekker geheel in het stopcontact is gestoken. Versies voor gebruik in gebieden met 110 – 120 V netspanning zijn voorzien van een netsnoer met een gepolariseerde netstekker (waarvan de ene pen breder is dan de andere). Deze past om veiligheidsredenen slechts op één manier in het stopcontact. Lukt het niet de stekker geheel in het stopcontact te steken, draai de stekker dan om. Lukt het dan nog niet, raadpleeg dan een elektricien. Verwijder nooit de veiligheidsvoorzieningen van de stekker. Bij gebruik van een verlengsnoer of een ander netsnoer dan het bijgeleverde, altijd een exemplaar met aangespoten stekker gebruiken dat is goedgekeurd voor het land waarin het wordt gebruikt.

8 Wees voorzichtig met netsnoeren – Leg een netsnoer altijd zo dat er niet op getrapt kan worden en zet er ook geen zware meubels e.d. op. Wees altijd voorzichtig met het snoer waar het het apparaat of de stekker verlaat.

9 Overbelasting – Overbelast stopcontacten en/of groepen niet; dat kan tot brand en elektrische schokken leiden.

10 Ventilatie – Het versterkerpaneel op de achterzijde is deel van de koeling van de versterker en mag niet afgedekt worden door het op een zachte ondergrond te plaatsen. Dek ook het versterkerpaneel niet af met kleedjes of andere zaken die de ventilatie belemmeren. Laat altijd minimaal 5 cm ruimte tussen de achterzijde en de achterliggende wand. Plaats het product evenmin in een afgesloten kastje, tenzij adequate maatregelen voor ventilatie zijn genomen. U kunt dat doen door a) gaten van 12 mm ø aan te brengen boven de versterker en aan de zijkanalen en de onderzijde, dan wel b) twee grote ventilatieopeningen van ca. 10 x 15 cm naar de kamer te maken, leidend naar openingen van 300 x 50 mm boven en onder de kast.

11 Warmte – Houd het apparaat uit de buurt van krachtige warmtebronnen zoals radiatoren, ovens en dergelijke (ook versterkers). Zet vooral geen kaarsen of sfeerlichtjes op het apparaat.

12 Wand- of plafondbevestiging – Monteer het apparaat alleen aan de wand of het plafond op de door de fabrikant voorgeschreven wijze.

13 Water en vocht – Gebruik dit product niet in de nabijheid van water – gootsteen, bad – bij een zwembad en dergelijke.

14 Vreemde objecten, vloeistof – Zorg dat er nooit vreemde voorwerpen of vloeistof in het apparaat kunnen komen, daar dit tot gevaarlijke situaties kan leiden door kortsluiting, brand of elektrische schokken.

15 Schoonmaken – Neem de stekker uit het stopcontact voordat u het apparaat schoonmaakt. De behuizing hoeft normaliter alleen te worden afgestoft met een droge doek. Gebruikt u een schoonmaakmiddel in spuitbus, spuit dit middel dan eerst op een doek, op enige afstand van de luidspreker en de eenheid en van de grille in het bijzonder. Verwijder de grill zodat er geen vlekken op komen, maar raak de woofer niet aan. De grill zelf kan met een zachte doek worden schoongemaakt.

16 Toebehoren – Gebruik om veiligheidsredenen nooit toebehoren die door de fabrikant niet zijn aanbevolen.

17 Opstelling – Plaats het product nooit op een niet stabiele ondergrond – stand, driepoot, tafeltje enz. – waardoor het kan omvallen, verwondingen kan veroorzaken en beschadigd kan raken. Gebruik alleen door de fabrikant aanbevolen opstellingen. Volg bij wand- of plafondmontage de aanwijzingen van de fabrikant op.

18 Verplaatsen – Het product en de stand o.i.d. voorzichtig verplaatsen. Zorg dat het niet kan omvallen. Steun het niet zijdelings op de pootjes, daar op die manier de pootjes uit de kast kunnen breken en deze ernstig beschadigen. Let op dat u uw voet niet verwondt met een spike!



19 Afwezigheid – Bent u voor langere tijd afwezig, neem dan de stekker uit het stopcontact. Doe dat ook bij hevig onweer.

20 Service – Probeer nooit het product zelf te repareren; door het te openen kunt u in aanraking komen met gevaarlijke spanningen. Laat service over aan een gekwalificeerde technicus.

21 Neem direct de stekker uit het stopcontact en waarschuw een technicus:

- a Wanneer het netsnoer en/of de stekker beschadigd zijn.
- b Als vloeistof of vreemde voorwerpen in het apparaat terecht zijn gekomen.
- c Wanneer het apparaat blootgesteld is geweest aan regen of water.
- d Wanneer het apparaat niet normaal reageert op het gebruik. Bedien het apparaat als beschreven in deze handleiding, daar andere handelingen tot schade kunnen

leiden die door een gekwalificeerde technicus moet worden hersteld.

- e Wanneer het product is gevallen.
 - f Wanneer het gedrag plotseling geheel anders dan gebruikelijk is – dit geeft aan dat er iets mis is.
- 22 Vervangende onderdelen – Wanneer vervangende onderdelen nodig zijn overtuig u er van dat deze van dezelfde soort en kwaliteit zijn als de originele. Niet originele vervangingen kunnen later problemen geven en tot gevaarlijke situaties leiden.



- 23 Netzekeringen – Voor een afdoende beveiliging tegen brand e.d., uitsluitend zekeringen van het juiste type en de juiste waarde gebruiken. De versterker is bedoeld voor gebruik op een 100 – 230 V wisselspanningsnet, waarvoor verschillende zekeringen worden gebruikt, afhankelijk van de netspanning. De juiste waarde voor elke netspanning is op het product aangegeven.
- 24 Veiligheidscontrole – Laat een technicus na reparatie of onderhoud altijd een veiligheidscontrole uitvoeren.
- 25 Magnetisch veld – Het product heeft een magnetisch strooiveld dat binnen een straal van 0,5 meter invloed kan hebben op andere objecten (TV, monitoren, banden, cassettes, credit cards). Het TV-beeld kan ook buiten deze straal nog beïnvloed worden door het magnetisch strooiveld.

Inleiding

Dank u voor de aanschaf van deze Bowers & Wilkins ASW Actieve Subwoofer!

Vanaf het allereerste begin in 1966 heeft B&W altijd gezocht naar de perfecte geluidswaergave. Deze zoektocht heeft niet alleen geleid tot grote investeringen in audietechnologie en ontwikkeling; maar geïnspireerd door de inmiddels overleden oprichter John Bowers ook in een voortdurende muzikale betrokkenheid: alleen op die manier namelijk kan alle technologie optimaal wordt gebruikt.

Deze subwoofer is speciaal ontworpen voor Home Theater systemen en ook om het laag van stereosystemen extra te versterken. De subwoofer doet echter veel meer dan de laagwaergave van uw audiosysteem uitbreiden. Doordat namelijk de gewone luidsprekers in het laag nu veel minder belast worden, verbeterd ook de waergave van het erg belangrijke middengebiet.

Wij raden u aan voor in gebruik name deze handleiding in zijn geheel aandachtig door te lezen. Hoe goed de luidspreker op zich ook is, elke luidspreker is afhankelijk van de ruimte waarin hij staat. De tijd die u daarom spendeert aan een zo goed mogelijke opstelling zal uiteindelijk resulteren in vele uren luisterplezier.

Daar de actieve luidspreker direct is verbonden met het lichtnet is het zeer belangrijk de veiligheidsinstructies en waarschuwingen goed te lezen en nauwgezet op te volgen.

Bewaar deze handleiding op een veilige plaats als referentie voor later.

Bowers & Wilkins luidsprekers worden verkocht in meer dan 60 landen over de hele wereld. B&W heeft een internationaal netwerk van zorgvuldig geselecteerde importeurs die u optimale service zullen geven. Heeft u problemen heeft die uw leverancier niet kan oplossen, neem dan contact op met de importeur.

Uitpakken (afbeelding 1)

Dit is de eenvoudigste manier om de luidsprekers uit te pakken:

- Vouw eerst de flappen geheel naar buiten en keer dan de doos met inhoud om.
- Trek vervolgens de doos voorzichtig omhoog.

We adviseren u om het verpakkingsmateriaal te bewaren voor eventueel toekomstig gebruik.

Naast deze handleiding bevat de doos:

- 1 Subwoofer
- 1 Set toebehoren met daarin:
 - 4 Rubber voetjes
 - 4 Spikes
 - 4 Contraeroeren
- 1 Internationaal garantiEBewijs

Bedieningspaneel (afbeelding 2)

- 1 Netspanning/standby indicatie
- 2 Volumeregelaar
- 3 Laagdoorlaat filter frequentie-instelling
- 4 Functie aan/auto/standby
- 5 Equalizerschakelaar
- 6 Laagdoorlaat filter aan/uit
- 7 Faseschakelaar
- 8 Lijningang
- 9 Lijnuitgang
- 10 LINK uitgang
- 11 Netschakelaar
- 12 Zekeringhouder
- 13 Lichtnetaansluiting

Opstelling van de subwoofer

De subwoofer produceert uitsluitend zeer lage frequenties, daarom is de opstelling minder belangrijk dan bij gewone luidsprekers. De richtingsinformatie in het laag is tamelijk vaag, zodat u meer vrijheid heeft in het opstellen van de subwoofer. Voor optimale resultaten adviseren we u de subwoofer tussen de linker en rechter front luidsprekers op te stellen, of in de nabijheid van één van de twee. Gebruikt u twee subwoofers, plaats beide dan zo dicht mogelijk bij een front luidspreker.

Een subwoofer achter de luisterraas geeft zelfs in surround systemen meestal een slecht geluidsbeeld. Het kan echter een noodzakelijk compromis zijn, afhankelijk van de inrichting van het interieur.

Zoals bij alle luidsprekers heeft de positie ten opzichte van een muur effect op de waergave. Hoe meer muurvlakken zich in de onmiddellijke nabijheid van de luidspreker bevinden, hoe krachtiger het laag. In tegenstelling tot gewone breedband luidsprekers, kunt u bij de subwoofer altijd weer de juiste klankbalans vinden door het volume van de subwoofer te corrigeren. Hoe meer de ruimte versterkt, hoe lager de subwoofer ingesteld kan worden, met één restrictie. Bij opstelling in een hoek zullen er meer resonantiefrequenties van de ruimte worden geactiveerd en zal de laagwaergave onregelmatiger worden. Daar elke ruimte anders reageert, is experimenteren de enige manier om de optimale en definitieve opstelling van de subwoofer te bepalen. Hierbij is het handig om een stuk muziek te gebruiken met een duidelijk baslooppje van laag naar hoog of omgekeerd: zo kan gecontroleerd worden of de laagwaergave strak is door te luisteren naar noten die overvreden hard en/of zacht klinken. Met een subwoofer is het veel eenvoudiger om ruimteresponsanties onder controle te krijgen, terwijl u tegelijkertijd de hoofd luidsprekers op hun optimale positie voor het totale geluidsbeeld kunt opstellen.

Wilt u de subwoofer in een kleine ruimte inbouwen, bijvoorbeeld in een speciaal meubel, zorg dan voor voldoende ventilatie en koeling van de ingebouwde eindversterker. Twijfelt u over de ventilatie, vraag dan advies aan uw leverancier.

De subwoofer wordt geleverd met vier "spikes". Deze prikken door het tapijt en rusten op de vloer eronder.

Heeft u geen tapijt, maar wilt u krassen op de vloer voorkomen? Gebruik dan een beschermplaatje tussen vloer en spikes of in plaats van de spikes de rubber voetjes.

Schroef eerst de contraeroeren helemaal tot aan het einde van de draad op de spikes of de voetjes. Schroef de voetjes of spikes dan volledig in de luidsprekeronderkant. Staat de behuizing nu niet stabiel: draai dan de twee voetjes of spikes die de vloer niet raken naar buiten totdat de behuizing wel stevig staat. Fixeer daarna alle voetjes of spikes door de contraeroeren tegen de behuizing vast te draaien.

Controleer of er onder het tapijt geen kabels liggen die door de spikes beschadigd kunnen worden.

Kantel de kast niet op de spikes daar deze dan door het gewicht uit de kast kunnen losbreken en zo ernstige schade toebrengen.

Wees ook voorzichtig dat u de spikes niet op uw eigen voet laat neerkomen.

Aansluiten

Overtuig u er eerst van alle apparaten van het systeem niet meer met het lichtnet zijn verbonden. Hierdoor bent u er zeker van dat er tijdens het losnemen en vastzetten van kabels geen schade kan ontstaan.

De subwoofer ontvangt de signalen van de versterker en, noodzakelijk voor een 2-kanaals audiosysteem, splitst het signaal in een subwoofer signaal en alle overige frequenties voor de satellietluidsprekers. De linker en rechter ingangen mogen gecombineerd worden in een mono bassignaal voor een enkele subwoofer.

De subwoofer heeft lijnansluitingen en -uitgangen via cinch aansluitingen op het paneel op de achterzijde.

Onderstaand overzicht geeft de juiste aansluitmethode voor uw installatie:

Toepassing: Home Theater

De subwoofer kan in combinatie met elke decoder die voorzien is van een lijnniveau subwoofer uitgang gebruikt worden – meestal een cinch aansluiting. De meeste decoders met ingebouwde eindversterkers hebben desondanks een subwoofer of LFE (Low Frequency Effects) signaal op lijnniveau.

- Decoder met één of meer subwoofers – afbeelding 3

Toepassing: 2-kanaals audio

Gescheiden voor- en eindversterkers:

- a Eén of meer subwoofers met tot max. 2 gecombineerde uitgangen – afbeelding 4.
- b Twee subwoofers met afzonderlijke links en rechts signalen – afbeelding 5

De subwoofer is niet geschikt voor gebruik met 2-kanaals geïntegreerde voor/eindversterkers.

Meer dan één subwoofer gebruiken

Meer dan een sub in een systeem kan de weergave op de volgende manieren verbeteren:

- De stereoscheiding blijft optimaal tot de laagste frequenties.
- Geschikt voor grotere luisterruimten.
- Hogere geluidsniveaus zijn mogelijk – vaak zinvol om op de juiste wijze de speciale Home Cinema effecten weer te geven.
- Ruimteresonanties worden minder storend hoorbaar.

Gebruik van twee subwoofers bij stereo zal de kanaalscheiding verbeteren, wanneer deze dichtbij de bijbehorende satellietluidspreker wordt opgesteld. Kan de subwoofer niet in de directe nabijheid van de satellieten worden geplaatst, gebruik dan de mono-uitgang (afbeelding 4).

Controleer alle aansluitingen nogmaals

Voordat het systeem wordt ingeschakeld en afgeregeld, eerst alle aansluitingen nogmaals controleren. Het gebeurt namelijk maar al te vaak dat geen behoorlijke weergave wordt verkregen ongeacht de gemaakte instelling, waarna wordt ontdekt dat er iets verkeerd is aangesloten. Controleer daarom of:

- De signaalpolariteit klopt: voor de

luidsprekeraansluitingen van de satellieten geldt dat de "+" met de "+" wordt verbonden en de "-" met de "-". Verwisseling geeft een 'vage' weergave met een onduidelijk stereobeeld, weinig laag of zelfs beide.

- De linker en rechter kanalen in het gehele systeem op dezelfde manier zijn aangesloten. Let op het juiste klankbeeld van een orkest en of bij Home Cinema het geluidsbeeld in dezelfde richting beweegt als het beeld.

In- en uitschakelen

We adviseren om eerst de subwoofer in te schakelen en daarna pas de andere versterkers die signalen van de subwoofer krijgen. Het omgekeerde geldt bij uitschakelen: schakel dan de subwoofer als laatste uit.

De functieschakelaar aan/auto/standby (4) scheidt de versterker niet volledig van het lichtnet. Een laagspanningsverbinding met een speciale sensorschakeling blijft actief.

De schakelaar (4) werkt als volgt:

On (aan):

In deze stand is de versterker altijd actief en is de indicatie groen.

Auto (automatisch):

Nadat u de subwoofer voor het eerst in de stand "Auto" heeft gezet, schakelt de versterker in en licht een groene indicatie (1) op. Wordt gedurende 5 minuten geen ingangssignaal gedetecteerd, dan zal de versterker automatisch in "standby" gaan en wordt de indicatie rood. Zodra een ingangssignaal wordt gesignaleerd, schakelt de versterker weer in en wordt de indicatie groen.

Standby:

In deze stand staat de versterker permanent in "standby" en zal de indicatie rood blijven.

Bent u van plan de subwoofer voor langere tijd niet te gebruiken, dan raden we u aan de netspanning geheel uit te schakelen met de netschakelaar (11), of de stekker uit het stopcontact te nemen.

Bedieningsorganen

De subwoofer beschikt over 5 knoppen:

- Volumeregelaar (2)
- Frequentie-instelling voor laagdoorlaat filter (3)
- Faseschakelaar (7)
- Schakelaar voor laagdoorlaat filter (6)
- Schakelaar EQ equalizer (5)

De optimale instelling van elke regeling wordt bepaald door de andere apparatuur die met de subwoofer wordt gebruikt. Wordt er meer dan één subwoofer gebruikt, zet dan de overeenkomende instellingen in dezelfde positie.

Gebruik met Home Cinema decoders

De B&W ASW Actieve Subwoofer is niet THX® gecertificeerd, maar kan desgewenst met een THX® controller worden gebruikt.

- Draai de VOLUME regelaar half open ("12 uur").
- De stand van de LOW-PASS FREQUENCY (2) regelaar is niet van belang.
- Zet de PHASE schakelaar (6) op 0°.
- Zet de LOW-PASS FILTER schakelaar (5) op OUT (uit).
- Zet de EQ schakelaar (4) op A.

Lees ook de paragraaf "Fijninstelling".

Gebruikt u een THX® decoder, schakel dan de subwoofer functie in. Op deze manier zijn de instellingen voor filter en volume optimaal om de subwoofer in alle toepassingen te gebruiken. Voor het inregelen van de geluidsniveaus gebruikt u het interne testsignaal en de kanaalinstellingen van de THX® decoder. In alle gevallen deze testruis op de lusterpositie op een geluidsdruk van 75 dB SPL (C-gewogen) instellen.

Gebruikt u een andere decoder, kies dan voor de front en de surround luidsprekers eerst de juiste grootte ('large' of 'small'), voordat u de niveaus instelt. Gebruik het testsignaal en de volumeregeling van de decoder om alle luidsprekers in te stellen. Gebruik de VOLUME regeling van de subwoofer uitsluitend wanneer u via de decoder geen goede instelling kunt bereiken.

Bij elektronica-winkels zijn betaalbare geluidsdrukmeters te koop waarmee eenvoudig het juiste niveau kan worden ingesteld. Raadpleeg zonnig de handleiding van de decoder voor het instellen van het juiste niveau.

Gebruik in een stereosysteem

- Draai de VOLUME regelaar half open ("12 uur").
- Zet de LOW-PASS FREQUENCY (2) regelaar op 80 Hz.
- Zet de PHASE schakelaar (6) op 0°.
- Zet de LOW-PASS FILTER schakelaar (5) op IN (aan).
- Zet de EQ schakelaar (4) op A.

Lees ook de paragraaf "Fijninstelling".

Fijninstelling

De EQ schakelaar heeft twee posities: positie B is bedoeld voor optimale laagweergave bij afsluiteren op hoog afspelniveau, terwijl positie A een dieper, maar vooral ook strakker laag geeft.

Stereo

De optimale instellingen van de PHASE schakelaar en de LOW-PASS FILTER FREQUENTIE beïnvloeden elkaar en zijn afhankelijk van de laagweergave van de satellietluidsprekers en de onderlinge plaatsing van alle luidsprekers in de ruimte.

Stel het systeem conform uw wensen op en draai muziek, weer met een redelijk constante gevoeligheid laag. De optimale instelling voor de LOW-PASS FREQUENCY hangt van verschillende variabelen af, zoals de laagweergave en belastbaarheid van de satellietluidsprekers, het aantal subwoofers

en hun positie ten opzichte van de satellieten. Een instelling tussen 80 en 90 Hz is een goed uitgangspunt voor de LOW-PASS frequentie instelling. Een hogere frequentie zal het stereobeeld negatief beïnvloeden, tenzij u voor een optimale kanaalscheiding twee subwoofers gebruikt, opgesteld in de nabijheid van de satellietluidsprekers. Gebruik de hogere waarde daarom alleen wanneer de satellieten betrekkelijk weinig laag produceren.

Beluister bij elke frequentie-instelling het effect van de faseschakelaar in beide posities. De juiste stand is die welke het meeste laag geeft. Welke dat is hangt af van de laagweergave van de satellieten en de relatieve afstand tussen luisteraar en de combinatie van subwoofer en satellieten. Bij gebruik van meer dan één subwoofer er op letten dat de ingestelde low-pass frequentie en fase voor beide identiek is.

Stel het volume van de subwoofer(s) zo in dat er een goede balans met de satellieten ontstaat en gebruik daarvoor een breed scala aan programmamateriaal. Een instelling die bij een bepaald stuk muziek indrukwekkend klinkt, kan namelijk bij een ander stuk teveel van het goede zijn. Luister vooral ook op normale geluidsniveaus, omdat de klankbalans sterk afhankelijk is van het niveau.

Home Cinema

Bij Home Cinema ligt de situatie iets anders. Het subwoofersignaal (LFE) is hier een apart kanaal in plaats van een aanvulling op het satelliet signaal. Het LOW-PASS filter is uitgeschakeld (OUT), omdat de decoder hier de juiste filters levert, die nodig zijn bij een instelling op kleine (small) luidsprekers. De positie van de faseschakelaar kan echter wel belangrijk zijn, normaliter is deze 0°, maar wanneer de subwoofer op een behoorlijke afstand van de andere luidsprekers staat, of de versterker van de andere luidsprekers de polariteit verandert, dan kan 180° een beter resultaat geven. Luister daarom naar beide posities van de schakelaar en kies de positie die het "volste" laag geeft. Is geen verschil hoorbaar, laat de schakelaar dan in de positie 0° staan.

Decoders hebben gewoonlijk een eigen gekalibreerd testsignaal dat u kunt gebruiken om de onderlinge niveaus van de luidsprekers in te stellen. Dit maakt het inregelen eenvoudiger dan bij een stereosysteem. Aarzel echter niet de instellingen zodanig naar eigen inzicht aan te passen. Het is bovendien erg verleidelijk dankzij de kwaliteiten van de subwoofer iets meer nadruk op het laag te leggen dan realistisch is, vooral bij sommige laagfrequent effecten! Op de lange duur geeft het een realistischer en bevredigend resultaat wanneer de subwoofer iets zachter staat dan het standaard kalibratieniveau aangeeft.

Alle toepassingen

Wanneer u een ongelijkmatige laagweergave heeft – sommige frequenties zijn duidelijker dan andere – treden er waarschijnlijk staande golven in de luisterruimte op en heeft het zin te

experimenteren met de opstelling van de subwoofer. Hoewel het weinig lijkt in een opstelling, kunnen zelfs kleine verschuivingen van zo'n 15 cm al grote invloed op het geluid hebben. Heeft u een aantal verschillende posities geprobeerd en blijft het probleem bestaan, probeer dan de subwoofer iets hoger op te stellen, of deze zijwaarts te verschuiven. Door meer dan één subwoofer te gebruiken, kunt u het effect van de resonanties sterk beperken, daar elke subwoofer resonanties op verschillende frequenties activeert. Wijzig u de afstand van de subwoofer en de satellietluidsprekers onderling en plaatst u ze verderaf of dichterbij, dan bestaat de mogelijkheid dat de faseschakelaar opnieuw ingesteld moet worden. Controleer dan ook weer het volume van de subwoofer (via de decoderuitgangen of met de volume regelaar op de subwoofer zelf), maar pas nadat de fase goed is ingesteld.

Onderhoud

De behuizing hoeft normaliter alleen te worden afgestoft met een droge doek. De behuizing kan worden behandeld als elk ander meubelstuk. Voor het schoonmaken van de grille, deze eerst van de luidspreker verwijderen: trek deze voorzichtig aan de randen naar voren. Het materiaal kan dan met een normale kledingborstel of iets dergelijks worden schoongemaakt.

Gebruikt u een schoonmaakmiddel in spuitbus, spuit dit middel dan eerst op een doek, op enige afstand van de luidspreker en de eenheid en van de grille in het bijzonder.

Raak de woofers niet aan, daar dan onherstelbare schade kan ontstaan.

Opmerking: de subwoofer wordt automatisch teruggeregeld wanneer deze wordt overstuurd. In dat geval kunt u de subwoofer resetten door deze uit en vervolgens weer in te schakelen met de netschakelaar op het versterkerpaneel.

Ελληνικά

Περιορισμένη εγγύηση

Αξιότιμε Πελάτη

Καλωσορίσατε στην B&W.

Το παρόν προϊόν έχει σχεδιαστεί και κατασκευαστεί σύμφωνα με τις υψηλότερες προδιαγραφές ποιότητας. Πάντως, εάν κάποιο πρόβλημα όντως παρατηρηθεί με το προϊόν αυτό, η B&W Loudspeakers και οι εθνικοί της αντιπρόσωποι, εγγυώνται ότι θα παρέχουν χωρίς χρέωση εργασία (μπορεί να ισχύσουν περιορισμοί) και εξαρτήματα σε κάθε χώρα όπου υπάρχει εξουσιοδοτημένος αντιπρόσωπος της B&W.

Η περιορισμένη αυτή εγγύηση ισχύει για μια περίοδο πέντε ετών από την ημερομηνία αγοράς ή δύο ετών για ηλεκτρονικά, συμπεριλαμβανομένων και ενισχυμένων μεγαφώνων.

Όροι και προϋποθέσεις

- 1 Η εγγύηση καλύπτει μόνο την επισκευή του εξοπλισμού. Η εγγύηση δεν καλύπτει τα έξοδα μεταφοράς, ή οποιαδήποτε άλλα έξοδα, ούτε άλλους κινδύνους για τη μετακίνηση, μεταφορά και εγκατάσταση των προϊόντων.
- 2 Η εγγύηση ισχύει μόνο για τον αρχικό αγοραστή. Δεν μεταβιβάζεται.
- 3 Η εγγύηση δεν θα ισχύει σε περιπτώσεις που δεν σχετίζονται με αστοχία υλικών και/ή εργασία συναρμολόγησης κατά τον χρόνο αγοράς και δεν θα ισχύει:
 - a για ζημιές που προκλήθηκαν από λανθασμένη εγκατάσταση, σύνδεση ή ουσκευασία,
 - β για ζημιές που προκλήθηκαν από οποιαδήποτε άλλη από τη σωστή χρήση όπως περιγράφεται στο χειρίδιο χρήστη, από αμέλεια, από μετατροπές ή από χρήση εξαρτημάτων που δεν κατασκευάζονται ούτε έχουν εγκριθεί από την B&W,
 - γ για ζημιές που προκλήθηκαν από ελαττωματικό ή ακατάλληλο βοηθητικό εξοπλισμό,
 - δ για ζημιές που προκλήθηκαν από ατυχήματα, αστραπές, νερό, φωτιά, θερμότητα, πόλεμο, λαϊκές εξεγέρσεις ή οποιαδήποτε άλλη αιτία υπεράνω του εύλογου ελέγχου της B&W και των εξουσιοδοτημένων αντιπροσώπων της,
 - ε για προϊόντα των οποίων ο αριθμός σειράς έχει μεταβληθεί, διαγραφεί, αφαιρεθεί ή έχει καταστεί δυσανάγνωστος,
 - στ εάν έχουν γίνει επισκευές ή μετατροπές από κάποιο μη-εξουσιοδοτημένο άτομο.

- 4 Η εγγύηση αυτή συμπληρώνει οποιοδήποτε εθνικό / περιφερειακό νόμιμο δικαίωμα αντιπροσώπων ή εθνικών διανομέων και δεν επηρεάζεται τα νόμιμα δικαιώματά σας ως καταναλωτού.

Πως μπορείτε να ζητήσετε επισκευές υπό την παρούσα εγγύηση

Εάν ο εξοπλισμός χρειαστεί επισκευή, παρακαλώ ακολουθείστε την ακόλουθη διαδικασία:

- 1 Εάν ο εξοπλισμός χρησιμοποιείται στη χώρα όπου αγοράστηκε, επικοινωνήστε με τον εξουσιοδοτημένο αντιπρόσωπο της B&W από όπου αγοράσατε τον εξοπλισμό.
- 2 Εάν ο εξοπλισμός χρησιμοποιείται εκτός από τη χώρα αγοράς, θα πρέπει να επικοινωνήσετε με τον εξουσιοδοτημένο αντιπρόσωπο της B&W στη χώρα που κατοικείτε πού θα σας συμβουλευθεί πού μπορείτε να επισκευάσετε τον εξοπλισμό. Μπορείτε να καλέσετε την B&W στην Βρετανία ή να επισκεφθείτε τη σελίδα μας στο [Ιντερνετ](#) για να βρείτε πληροφορίες ως προς την διεύθυνση του τοπικού σας αντιπροσώπου.

Για να ιαχούσει η εγγύηση αυτή, θα πρέπει να έχετε μαζί σας το παρόν γχειρίδιο εγγύησης συμπληρωμένο και σφραγισμένο από τον αντιπρόσωπό σας την ημέρα της αγοράς. Εναλλακτικά, θα χρειαστείτε να δείξετε την πρωτότυπη απόδειξη ή τιμολόγιο ή άλλη απόδειξη ιδιοκτησίας και ημερομηνίας αγοράς.

Οδηγίες Χρήσεως

ΣΗΜΑΝΤΙΚΕΣ ΟΔΗΓΙΕΣ ΓΙΑ ΤΗΝ ΑΣΦΑΛΗ ΧΡΗΣΗ ΤΗΣ ΣΥΣΚΕΥΗΣ



Προσοχή:

Για να ελαχιστοποιήσετε το ενδεχόμενο ηλεκτροπληξίας μην αφαιρέσετε την πίσω πλευρά της συσκευής και μην εκθέσετε τη συσκευή σε βροχή ή υγρασία. Δεν υπάρχουν στο εσωτερικό μέρη που μπορούν να επισκευαστούν από το χρήστη. Οποιαδήποτε επισκευή θα πρέπει να γίνει από το τμήμα service της αντιπροσωπείας της B&W.

Επεξήγηση συμβόλων:



Το τρίγωνο με το τεθλασμένο βέλος σημαίνει την ύπαρξη στο εσωτερικό της συσκευής σημείων με υψηλή τάση ρεύματος των οποίων η μόνωση δεν είναι δυνατή και τα οποία μπορούν να προκαλέσουν ηλεκτροπληξία.



Το τρίγωνο με το θαυμαστικό εφιστά την προσοχή του χρήστη σχετικά με την ύπαρξη σημαντικών οδηγιών χρήσης και συντήρησης, στις οποίες θα πρέπει να ανατρέξει.

ΟΔΗΓΙΕΣ ΓΙΑ ΤΗΝ ΑΣΦΑΛΕΙΑ ΣΑΣ:

- 1 Διαβάστε τις οδηγίες – Διαβάστε προσεκτικά όλες τις οδηγίες ασφαλείας και χρήσης πριν θέσετε τη συσκευή σε λειτουργία για πρώτη φορά.
- 2 Φυλάξτε τις οδηγίες – Κρατήστε το φυλλάδιο με τις οδηγίες για ενδεχόμενη μελλοντική χρήση.
- 3 Οδηγίες για επίδειξη προσοχής – Λαμβάνετε πάντα υπόψη τις οδηγίες για επίδειξη προσοχής που αναγράφονται επάνω στη συσκευή ή στο φυλλάδιο με τις οδηγίες χρήσης.
- 4 Ακολουθήστε τις οδηγίες – Ακολουθήστε προσεκτικά όλες τις οδηγίες χρήσης και λειτουργίας.
- 5 Εγκατάσταση – Εγκαταστήστε τη συσκευή ακολουθώντας τις οδηγίες του κατασκευαστή.
- 6 Παροχή ρεύματος – Η συσκευή αυτή θα πρέπει να τροφοδοτείται αποκλειστικά με ηλεκτρικό ρεύμα των προδιαγραφών που αναφέρονται στην ειδική ετικέτα που υπάρχει στην πίσω πλευρά της. Αν δεν είστε βέβαιοι/η για τα χαρακτηριστικά ρεύματος της παροχής του σπιτιού σας (για την Ελλάδα θα πρέπει να είναι 220V, 50Hz), απευθυνθείτε στην αντιπροσωπεία της συσκευής ή στην τεχνική υπηρεσία της ΔΕΗ.
- 7 Γείωση – Η συσκευή δεν χρειάζεται γείωση. Βεβαιωθείτε ότι το φως του καλωδίου τροφοδοσίας έχει συνδεθεί καλά στην πρίζα (ή στην υποδοχή της προέκτασης ή του πολύπριζου) ώστε να μην είναι εκτεθειμένοι οι ακροδέκτες. Κάποιες εκδόσεις της συσκευής διαθέτουν καλώδιο ρεύματος με φως διακεκριμένων πόλων (ο ένας ακροδέκτης του φως θα είναι πλατύτερος από τον άλλον – συμ. αυτά τα μοντέλα, πιθανότατα, δεν κυκλοφορούν στην Ελλάδα). Το φως αυτό μπαίνει στην πρίζα μόνο προς μία κατεύθυνση για λόγους ασφαλείας. Αν δεν μπορείτε να βάλετε πλήρως στην πρίζα το φως, δοκιμάστε να το αντιστρέψετε. Αν

συνεχίζει να μην μπαίνει, καλέστε έναν ηλεκτρολόγο για να αντικαταστήσει την πρίζα. Μην αγνοήσετε την διαφορά των πόλων του φως, προσπαθώντας να το βάλετε στην πρίζα αντεστραμμένο. Αν χρησιμοποιήσετε προέκταση (μπαλαντέζα) ή άλλο καλώδιο ρεύματος από αυτό που παρέχεται με τη συσκευή, θα πρέπει η προέκταση ή το καλώδιο να είναι κατάλληλα για τις προδιαγραφές της συσκευής, να είναι υψηλής ποιότητας και να είναι εγκεκριμένα για χρήση βάσει των προδιαγραφών ασφαλείας της χώρας στην οποία χρησιμοποιούνται. Για οποιαδήποτε αβίαση σας σχετικά με την τροφοδοσία της συσκευής απευθυνθείτε στην αντιπροσωπεία της B&W.

- 8 Προστασία του καλωδίου τροφοδοσίας ρεύματος – Το καλώδιο τροφοδοσίας θα πρέπει να τοποθετείται έτσι ώστε να μην κινδυνεύει να πατηθεί, να παρασυρθεί ή να κοπεί από αντικείμενα που θα τοποθετηθούν επάνω του. Φροντίστε επίσης να μην τσακίσει σε κανένα σημείο του. Δώστε ιδιαίτερη προσοχή στο σημείο σύνδεσης του φως με την πρίζα (ή την προέκταση ή το πολύπριζο) και στο σημείο σύνδεσης του καλωδίου με τη συσκευή.
- 9 Υπερφόρτωση – Μην υπερφορτώνετε τις πρίζες, τις προεκτάσεις ή τα πολύπριζα, συνδέοντας σε αυτά πολλές συσκευές (ιδίως αν αυτές απαιτούν μεγάλη ποσότητα ρεύματος), γιατί υπάρχει κίνδυνος πυρκαγιάς ή ηλεκτροπληξίας.
- 10 Εξασφαλισμός – Η πίσω πλευρά της συσκευής και συγκεκριμένα ο ενοχοτής, αποτελεί τμήμα του συστήματος ψύξης του χείου και δεν θα πρέπει να καλύπτεται από την τοποθέτηση του επάνω σε επιφάνειες όπως κρεβάτια, καναπέδες, χαλιά με χοντρή πλέξη κ.λπ. Μην καλύπτετε τον ενοχοτή με αντικείμενα όπως τραπεζομάντιλα, πετσοτάκια, εφημερίδες κ.λπ. Επίσης, δεν θα πρέπει να τοποθετείτε τη συσκευή σε κλειστά βιβλιοθήκες ή ντουλάπια που δεν έχουν επαρκή εξαερισμό, ενώ οι ψήκτρες θα πρέπει να είναι κάθετες. Μεταξύ της πίσω πλευράς της συσκευής και οποιοδήποτε τμήματος του τούχου θα πρέπει να υπάρχει κενό τουλάχιστον 50 χιλιοστών. Αν η συσκευή τοποθετηθεί σε κάποιο κλειστό χώρο (rack, βιβλιοθήκη ή άλλο έπιπλο), η επαρκής κυκλοφορία του αέρα θα πρέπει να εξασφαλιστεί με έναν από τους ακόλουθους τρόπους: α) αφήνοντας 12 χιλιοστά κενό επάνω, στο πλάι και κάτω από τη συσκευή (το οποίο κενό θα πρέπει να "βλέπει" το χώρο, δηλαδή στα σημεία εκείνα θα πρέπει το έπιπλο

- να είναι ανοικτό), ή β) δημιουργώντας δύο αγωγούς με ελάχιστη διατομή 150 τετραγωνικά εκατοστά, που να ξεκινούν από το εξωτερικό του επίπλου (ώστε το ένα τους άκρο να βγαίνει στον εξωτερικό χώρο) και να καταλήγουν σε σχισμές πλάτους 300 χιλιοστών και βάθους 50 χιλιοστών, οι οποίες θα βρίσκονται επάνω και κάτω από τη συσκευή, ευθυγραμμισμένες με το κενό που υπάρχει στην πίσω πλευρά της (για λεπτομέρειες σχετικά με το σωστό εξερισμό της συσκευής και τα έπιπλα που είναι κατάλληλα για την τοποθέτησή της, απευθυνθείτε στην αντιπροσωπεία της Β&W).
- 11 Θερμότητα – Η συσκευή θα πρέπει να τοποθετείται μακριά από πηγές θερμότητας όπως θερμότερες, καλοριφέρ, κλιματιστικά ή άλλες συσκευές που εκπέμπουν θερμότητα (π.χ. ενισχυτές). Μην τοποθετείτε επάνω στη συσκευή αντικείμενα που παράγουν φλόγα (π.χ. κερί).
- 12 Στήριξη στον τοίχο ή στην οροφή – Για να αναρτήσετε τη συσκευή σε βάσεις τοίχου ή οροφής, ακολουθήστε πιστά τις οδηγίες του κατασκευαστή.
- 13 Νερό και υγρασία – Η συσκευή δεν θα πρέπει να τοποθετείται και να λειτουργεί κοντά σε νερό (π.χ. κοντά σε νεροχύτες, μπανιέρες, πισίνες, σε υγρά υπόγεια κ.λπ.).
- 14 Εισχώρηση αντικειμένων και υγρών – Φροντίστε ώστε να μην εισχωρήσει στο εσωτερικό της συσκευής οποιοδήποτε αντικείμενο, γιατί μπορεί να έρθει σε επαφή με εξαρτήματα που έχουν υψηλή τάση ρεύματος ή να προκαλέσει βραχυκύκλωμα που θα μπορούσε να οδηγήσει σε φωτιά ή ηλεκτροπληξία. Για τους ίδιους λόγους, δεν θα πρέπει σε καμία περίπτωση να ρίξετε οποιοδήποτε υγρό επάνω ή μέσα στη συσκευή.
- 15 Καθαρισμός – Πριν καθαρίσετε τη συσκευή βγάλτε την από την πρίζα. Μπορείτε να καθαρίσετε την καρπίνα του subwoofer χρησιμοποιώντας ένα στεγνό κομμάτι ύφασμα. Εάν θέλετε να χρησιμοποιήσετε κάποιο καθαριστικό σε μορφή σπρέι, μην ψεκάζετε κατ' ευθείαν στην καρπίνα αλλά στο ύφασμα. Πριν καθαρίσετε την καρπίνα, αφαιρέστε την προστατευτική σίτα προσέχοντας να μην προξενήσετε ζημιά στο μεγάφωνο. Μπορείτε να καθαρίσετε τη σίτα χρησιμοποιώντας μία μαλακή βούρτσα.
- 16 Συνδεδεση άλλων συσκευών – Μην συνδέσετε άλλες συσκευές στο ηχείο παρά μόνο αν είναι εγκατεστημένες από τον κατασκευαστή.
- 17 Ράφια και βάσεις – Μην τοποθετείτε τη συσκευή σε ασταθείς βάσεις, ράφια, τρίποδα

κ.λπ. γιατί μπορεί να πέσει και να πάθει ζημιά ή/και να προκαλέσει τραυματισμό. Η συσκευή θα πρέπει να τοποθετείται μόνο σε βάσεις που εγκρίνονται από τον κατασκευαστή ή/και παρέχονται μαζί με το προϊόν. Αν θέλετε να αναρτήσετε το ηχείο στον τοίχο θα πρέπει να ακολουθήσετε τις οδηγίες που κατασκευαστή και να χρησιμοποιήσετε το σύστημα ανάρτησης που προτείνει.

- 18 Μετακίνηση της συσκευής – Αν πρέπει να μετακινήσετε τη συσκευή με ένα χειροκίνητο τροχήλατο μέσο (π.χ. καρότσι εμπορευμάτων), κάντε το με προσοχή.



Απότομα σταματήματα, δυνατό σπρώξιμο και ανώμαλες επιφάνειες μπορούν να γίνουν αιτία ανατροπής της συσκευής. Βεβαιωθείτε ότι κάτω από το χαλί δεν υπάρχουν καλώδια που θα μπορούσαν να πάθουν ζημιά από τις ακίδες στήριξης του ηχείου. Μην μετακινείτε το ηχείο σπρώχνοντάς το επάνω στις ακίδες γιατί μπορεί να σπάσουν και/ή να προκαλέσουν ζημιά. Όταν μετακινείτε το ηχείο προσέξτε να μην τραυματιστείτε από τις ακίδες.

- 19 Διακοπή της χρήσης – Σε περίπτωση καταιγίδας ή σε περίπτωση που δεν θα χρησιμοποιήσετε τη συσκευή για μεγάλο χρονικό διάστημα, βγάλτε το φις από την πρίζα.
- 20 Συντήρηση – Μην προσπαθήσετε να κάνετε οποιαδήποτε εργασία επισκευής ή συντήρησης γιατί αν ανοίξετε τη συσκευή ή αφαιρέσετε το κάλυμμα της θα εκτεθείτε σε υψηλή τάση ρεύματος και υπάρχει σοβαρός κίνδυνος ηλεκτροπληξίας. Οποιαδήποτε διαδικασία συντήρησης ή επισκευής θα πρέπει να ανατίθεται στο τμήμα τεχνικής υποστήριξης της αντιπροσωπείας της Β&W.
- 21 Ζημιά που απαιτεί επισκευή – Στις ακόλουθες περιπτώσεις θα πρέπει να βγάλετε αμέσως τη συσκευή από την πρίζα και να την δώσετε για επισκευή:
- α Εάν υποστεί ζημιά το καλώδιο τροφοδοσίας ή το φις.
 - β Εάν εισχωρήσουν στο εσωτερικό της συσκευής αντικείμενα ή υγρά.
 - γ Εάν η συσκευή εκτεθεί σε βροχή.
 - δ Εάν η συσκευή δεν φαίνεται να λειτουργεί κανονικά σύμφωνα με τις οδηγίες του κατασκευαστή. Σημειώστε ότι θα πρέπει να χρησιμοποιείτε μόνο τα πλήκτρα λειτουργίας που αναφέρονται στις οδηγίες χρήσης, και με τον τρόπο που περιγράφεται. Αν κάνετε οποιαδήποτε ρύθμιση που δεν αναφέρεται στις οδηγίες

υπάρχει σοβαρό ενδεχόμενο να προκληθεί ζημιά, η οποία για να αποκατασταθεί ίσως χρειαστεί αρκετό χρόνο εργασίας από έναν ειδικευμένο τεχνικό.

- ε Εάν η συσκευή πέσει κάτω ή υποστεί οποιαδήποτε ζημιά.

στ Εάν παρατηρήσετε αξιοσημείωτη αλλαγή στην απόδοση της.

- 22 Ανταλλακτικά – Αν χρειαστεί να αντικατασταθεί κάποιο εξάρτημα της συσκευής, βεβαιωθείτε ότι ο τεχνικός που θα κάνει την αντικατάσταση θα χρησιμοποιήσει ανταλλακτικά που εγκρίνονται από τον κατασκευαστή ή που έχουν τις ίδιες ακριβώς προδιαγραφές με το αρχικό εξάρτημα. Η χρήση μη εγκεκριμένων ή μη ελεγμένων ανταλλακτικών, ή ανταλλακτικών που δεν είναι κατάλληλα για τη συγκεκριμένη συσκευή μπορεί να προκαλέσει ζημιά, φωτιά ή ηλεκτροπληξία.



- 23 Ασφάλειες τροφοδοσίας – Προκειμένου η λειτουργία της συσκευής να γίνεται σωστά και να μην υπάρχει κίνδυνος βραχυκυκλώματος, φωτιάς κ.λπ., θα πρέπει οι ασφάλειες που θα χρησιμοποιείτε να είναι σωστού τύπου και χαρακτηριστικών. Ο εννοιαστικός λειτουργίας με ονομαστική τάση μεταξύ 100 και 230V, αλλά ανάλογα με την τάση της παροχής ρεύματος που είναι συνδεδεμένος χρησιμοποιούνται διαφορετικές ασφάλειες. Τα σωστά χαρακτηριστικά της ασφάλειας ανάλογα με την τάση τροφοδοσίας, αναγράφονται επάνω στη συσκευή.
- 24 Δοκιμές ασφαλείας – Μετά από οποιαδήποτε εργασία συντήρησης ή επισκευής θα πρέπει να ζητήσετε από τον τεχνικό που την εκτέλεσε να κάνει τις απαραίτητες δοκιμές ασφαλών λειτουργίας της συσκευής.
- 25 Μαγνητικά πεδία – Το προϊόν αυτό παράγει ένα ελεύθερο μαγνητικό πεδίο και για το λόγο αυτό δεν θα πρέπει να τοποθετείται κοντά σε συσκευές ή αντικείμενα που μπορεί να επηρεαστούν από το πεδίο αυτό [συσκευές που χρησιμοποιούν καθοδικές λυχνίες (π.χ. τηλεοράσεις ή οθόνες ηλεκτρονικών υπολογιστών), μαγνητικά μέσα εγγραφής (π.χ. κασέτες ή δισκέτες), κάρτες με μαγνητική ταινία (π.χ. πιστωτικές κάρτες) κ.λπ.]. Η ελάχιστη ασφαλής απόσταση από τέτοια αντικείμενα είναι μισό μέτρο. Αν η απόσταση αυτή είναι μικρότερη μπορεί να προκληθεί παραμόρφωση στην εικόνα της τηλεόρασης, να διαγραφεί το περιεχόμενο μιας κασέτας ή μιας δισκέτας κ.λπ.

Εισαγωγή

Σας ευχαριστούμε που αγοράσατε ένα ενεργό subwoofer ASW της B&W.

Από την ίδρυσή της το 1966, η φιλοσοφία της B&W δεν έπαψε ποτέ να είναι η αναζήτηση της αναπαραγωγής του τέλειου ήχου. Εμπνευσμένη από τον ιδρυτή της John Bowers, η αναζήτηση αυτή δεν οδήγησε μόνο σε μεγάλες επενδύσεις και καινοτομίες στο χώρο της τεχνολογίας αναπαραγωγής του ήχου αλλά και στο σεβασμό προς την ίδια τη μουσική, γεγονός που εξασφαλίζει ότι η χρήση της τεχνολογίας θα δώσει το καλύτερο δυνατό αποτέλεσμα.

Το subwoofer αυτό έχει σχεδιαστεί για συστήματα home theatre αλλά και για να ενισχύσει την απόδοση των μπάσων σε απλά στερεοφωνικά συγκροτήματα που χρησιμοποιούν ηχεία πλήρους εύρους συχνότητων. Προσθέτοντας ένα subwoofer στο σύστημά σας, δεν αυξάνετε μόνο τη δυνατότητα του συστήματός να αναπαράγει τα μπάσα, αλλά βελτιώνει και τη διαύγεια των μεσαίων συχνότητων, αποδεσμεύοντας τα ηχεία σας από την απαίτηση να αποδώσουν τις πολύ χαμηλές συχνότητες.

Παρακαλούμε, πριν εγκαταστήσετε και θέσετε σε λειτουργία το subwoofer, διαβάστε προσεκτικά τις οδηγίες χρήσης. Όλες οι ηχητικές εγκαταστάσεις απαιτούν κάποιο σχεδιασμό και κάποιες δοκιμές προκειμένου να έχετε την καλύτερη δυνατή απόδοση από το σύστημά σας. Το φυλλάδιο αυτό θα σας χρησιμεύσει ως οδηγός στη διαδικασία αυτή.

Το ASW™CDM συνδέεται με την παροχή ρεύματος, γεγονός που σημαίνει ότι υπάρχει υψηλή τάση στο εσωτερικό του. Για το λόγο αυτό θα πρέπει να προσέξετε όλες τις οδηγίες που σχετίζονται με την ασφάλειά σας και να λάβετε τις σχετικές προφυλάξεις.

Κρατήστε το φυλλάδιο με τις οδηγίες για ενδεχόμενη μελλοντική χρήση.

Η B&W διαθέτει τα προϊόντα της σε περισσότερες από 60 χώρες σε όλο τον κόσμο, μέσω ενός δικτύου επίσημων αντιπροσώπων τους οποίους επληρώνει πολύ προσεκτικά. Αν συναντήσετε οποιοδήποτε πρόβλημα που δεν μπορεί να λυθεί στο κατάστημα από όπου αγοράσατε την συσκευή, ο άνθρωπος στην αντιπροσωπεία της B&W θα είναι περισσότερο από πρόθυμοι να σας βοηθήσουν.

Αποσκευασία

(Εικόνα 1)

Ο πιο εύκολος τρόπος να αποσκευάσετε το ηχείο αποφεύγοντας οποιαδήποτε ζημιά είναι ο εξής:

- Ανοίξτε το κιβώτιο και γυρίστε το ανάποδα.
- Σηκώστε το και αφαιρέστε το, αφήνοντας το περιεχόμενο κάτω.

Καλό είναι να κρατήσετε τη συσκευασία για πιθανή χρήση στο μέλλον.

Στη συσκευασία, εκτός από τις οδηγίες χρήσης περιλαμβάνονται:

1 Subwoofer

1 Πακέτο με αξεσουάρ που περιέχει:

4 Λαστιχένια πέλματα

4 Πέλματα-ακίδες

4 Παξιμάδια ασφάλισης

1 Έντυπο με τους όρους της διεθνούς εγγύησης της συσκευής

Περιγραφή του subwoofer (Εικόνα 2)

1. Φωτεινή ένδειξη λειτουργίας / αναμονής λειτουργίας
2. Ρυθμιστικό έντασης (VOLUME)
3. Ρυθμιστικό συχνότητας LOW-PASS
4. Διακόπτης ενεργοποίησης / αναμονής λειτουργίας / αυτόματης ανίχνευσης σήματος
5. Διακόπτης ισοστάθμισης (EQ)
6. Διακόπτης απενεργοποίησης φίλτρου LOW-PASS
7. Διακόπτης επιλογής φάσης (PHASE)
8. Υποδοχές LINE IN
9. Υποδοχές LINE OUT
10. Υποδοχές LINK OUT
11. Διακόπτης λειτουργίας (POWER)
12. Υποδοχή ασφαλείας
13. Υποδοχή σύνδεσης κλωδίου τροφοδοσίας

Τοποθέτηση

Επειδή το subwoofer αναπαράγει μόνο χαμηλές συχνότητες (μπάσα), το σημείο που θα τοποθετηθεί δεν έχει τόσο μεγάλη σημασία σε σύγκριση με τα κανονικά ηχεία. Η κατεύθυνση προς την οποία θα πρέπει να είναι στραμμένο δεν είναι τόσο συγκεκριμένη, και οι επιλογές που έχετε είναι πολύ περισσότερες. Γενικά πάντως, το καλύτερο ηχητικό αποτέλεσμα επιτυγχάνεται τοποθετώντας το subwoofer μεταξύ των ηχείων-δουρυφώρων ή κοντά σε ένα από αυτά. Εάν χρησιμοποιείτε δύο subwoofers, το καλύτερο είναι να τοποθετήσετε από ένα κοντά σε κάθε δουρυφόρο.

Η τοποθέτηση του subwoofer πίσω από τους ακροατές δίνει γενικά καλύτερη ηχητική εικόνα – ακόμη και σε συστήματα surround. Πάντως, εάν η διάταξη του χώρου επιβάλλει κάτι τέτοιο, η θέση αυτή είναι αποδεκτή.

Όπως συμβαίνει και με όλα τα ηχεία, η απόδοση του subwoofer επηρεάζεται από το πόσο κοντά του είναι τα αντικείμενα που υπάρχουν στο χώρο ακρόασης. Γενικά, οι χαμηλές συχνότητες (μπάσα) εντείνονται εάν υπάρχουν πολλές επιφάνειες κοντά

στο ηχείο. Όμως, αντίθετα με ό,τι συμβαίνει με τα κανονικά ηχεία, μπορείτε ανά πάσα στιγμή να διορθώσετε την τονική ισορροπία (balance) του συστήματος, ρυθμίζοντας απλά την ένταση του subwoofer. Όσο περισσότερο τονίζονται οι χαμηλές λόγω της διάταξης του χώρου, τόσο μικρότερη "προσπάθεια" πρέπει να καταβάλλει το ηχείο. Υπάρχει όμως και ένα μειονέκτημα: οι γωνιακές θέσεις εντεινουν περισσότερο τις χαμηλές αντηχησεις του χώρου, με αποτέλεσμα τα μπάσα να αποδίδονται άνισα σε σχέση με τις υπόλοιπες συχνότητες. Για το λόγο αυτό και επειδή κάθε χώρος έχει διαφορετική ηχητική συμπεριφορά, ο καλύτερος τρόπος για να επιτύχετε το βέλτιστο αποτέλεσμα είναι, πριν καταλήξετε, να δοκιμάσετε διάφορα σημεία τοποθέτησης του ηχείου. Καλό θα ήταν, όταν κάνετε τις δοκιμές να βάλετε να ακούγεται ένα μουσικό κομμάτι τα μπάσα του οποίου να κινούνται σε όλο το εύρος της περιοχής των χαμηλών συχνότητων, ούτως ώστε να μπορείτε να εικάσετε πλήρως το πόσο ομαλή είναι η απόκριση των χαμηλών. Ακούστε προσεκτικά τις έντονες και τις σιγανές νότες. Η ύπαρξη ενός ξεχωριστού subwoofer σας δίνει τη δυνατότητα να ελέγξετε καλύτερα τις αντηχησεις του χώρου.

Εάν τοποθετήσετε το subwoofer σε κάποιο κλειστό χώρο (π.χ. σε κάποιο ράφι ή ειδικό έπιπλο), θα πρέπει να φροντίσετε ώστε ο χώρος αυτός να επιτρέπει την επαρκή κυκλοφορία του αέρα για να ψύχεται το ηχείο. Συμβουλευτείτε σχετικά τον προμηθευτή σας.

Στη συσκευασία θα βρείτε τέσσερις ακίδες στήριξης. Οι ακίδες περνούν στο εσωτερικό της πλέξης του χαλιού (χωρίς να το διαπερνούν) και στηρίζουν καλά το ηχείο, κατ' ευθείαν στην επιφάνεια του πατώματος.

Αν τοποθετήσετε το ηχείο σε μία ευαίσθητη επιφάνεια, όπως ένα έλιβνο πάτωμα, μπορείτε να τοποθετήσετε ένα προστατευτικό δίσκο κάτω από κάθε ακίδα ή να τοποθετήσετε τα τέσσερα λαστιχένια πέλματα αντί για τις ακίδες.

Πριν τοποθετήσετε τις ακίδες ή τα λαστιχένια πέλματα, βιώστε πλήρως σε αυτές τα παξιμάδια ασφαλείας και κατόπιν βιώστε πλήρως τις ακίδες στις υποδοχές που υπάρχουν στη βάση της καμπίνας. Εάν το πάτωμα παρουσιάζει κάποια ανωμαλία και το ηχείο δεν είναι σταθερό, εμβιβάστε τις ακίδες των δύο διαγώνιων ποδιών που δεν εφάπτονται καλά, τόσο ώστε να σταθεροποιηθεί το ηχείο, και μετά βιώστε πάλι τα παξιμάδια στις υποδοχές.

Φροντίστε ώστε κάτω από το χαλί να μην υπάρχουν κλωδιά που μπορεί να πάθουν ζημιά από τις ακίδες σταθεροποίησης της συσκευής.

Μην σύρετε το ηχείο επάνω στις ακίδες, γιατί υπάρχει ενδεχόμενο να σπάσουν και να προκληθεί ζημιά στο ηχείο.

Κρατήστε τα πόδια σας μακριά από τις αλécies.

Συνδέσεις

Για να αποκλείσετε το ενδεχόμενο να προκληθεί ζημιά, βγάλτε όλες τις συσκευές του συστήματος από την πρίζα όσο θα κάνετε τις συνδέσεις. Ο ρόλος του subwoofer είναι να λαμβάνει τα σήματα από την αλυσίδα ενίσχυσης και, όπου είναι απαραίτητο, να διαχωρίζει το σήμα σε χαμηλές και υψηλές συχνότητες και να στέλνει τις τελευταίες πίσω στα ηχεία – δορυφόρους. Τα σήματα εισόδου του δεξιού και του αριστερού καναλιού μπορούν να χραισάει να συγχωνευτούν σε ένα μονοφωνικό σήμα χαμηλών που θα πηγαίνει στο subwoofer.

Το subwoofer οδηγεί όλα τα σήματα εισόδου και εξόδου επιπέδου line (μέσω των υποδοχών τύπου RCA) και επιπέδου ηχείων (speaker level – μέσω των ακροδεκτών 4mm που υπάρχουν στη πίσω πλευρά του), γεγονός που δίνει αρκετές επιλογές ως προς τις συνδέσεις.

Χρησιμοποιήστε τον παρακάτω πίνακα για να επιλέξετε το σωστό τρόπο σύνδεσης για το σύστημά σας:

Εφαρμογή: Home Theatre

Το subwoofer μπορεί να χρησιμοποιηθεί με οποιονδήποτε επεξεργαστή surround έχει έξοδο επιπέδου line για subwoofer (συνήθως με υποδοχές RCA). Ακόμα και οι επεξεργαστές που έχουν ενσωματωμένο τελικό ενισχυτή (τουλάχιστον οι περισσότεροι από αυτούς) "βγάζουν" το σήμα του subwoofer ή το κανάλι χαμηλών συχνοτήτων (LFE) σε επίπεδο line.

- Επεξεργαστής με ένα ή περισσότερα subwoofers – Εικόνα 3

Εφαρμογή: στερεοφωνικό συγκρότημα

Προενισχυτής – Τελικός:

α Ένα ή περισσότερα subwoofers με συγχώνευση σημάτων εξόδου σε ένα μονοφωνικό σήμα: Εικόνα 4

β Δύο subwoofers με ξεχωριστά σήματα δεξιού και αριστερού καναλιού: Εικόνα 5

Το subwoofer δεν είναι κατάλληλο για χρήση με στερεοφωνικούς ολοκληρωμένους ενισχυτές.

Χρήση περισσότερων από ένα subwoofers

Η χρήση περισσότερων από ένα subwoofers μπορεί να βελτιώσει την απόδοση του συστήματός σας ως εξής:

- Διατηρώντας το στερεοφωνικό διαχωρισμό στις πολύ χαμηλές συχνότητες.
- Επιτυγχάνοντας καλύτερη απόδοση σε μεγαλύτερους

χώρους.

- Αυξάνοντας το μέγιστο επίπεδο έντασης, γεγονός που βοηθά στην βελτιστοποίηση της απόδοσης των ειδικών εφφέ σε συστήματα Home Theatre.
- Ελέγχοντας καλύτερα με περιορίζοντας τις χαμηλές αντηχήσεις του χώρου.

Αν χρησιμοποιήσετε δύο subwoofers σε ένα στερεοφωνικό σύστημα, ένα για κάθε κανάλι, ο στερεοφωνικός διαχωρισμός βελτιώνεται, αρκεί να τοποθετήσετε το κάθε subwoofer κοντά στο αντίστοιχο ηχείο-δορυφόρο. Αν δεν μπορεί να γίνει αυτό (δηλαδή το κάθε subwoofer να τοποθετηθεί δίπλα στο αντίστοιχο δορυφόρο), κάντε μόνο τη μονοφωνική σύνδεση της εικόνας 4.

Έλεγχος των συνδέσεων

Πριν ακούσετε την ηχητική απόδοση του συστήματός σας και πριν κάνετε τις τελικές ρυθμίσεις, ελέγξτε πάλι τις συνδέσεις. Συμβαίνει πολύ συχνά, να εκφράζονται παράπονα από τους χρήστες ότι δεν μπορούν να επιτύχουν καλό ήχο όσο και αν προσπαθούν, για να αποδειχτεί τελικά ότι είχαν κάνει κάποιο λάθος στις συνδέσεις. Έτσι, θα πρέπει να βεβαιωθείτε:

- Η φάση είναι σωστή – δεν θα πρέπει να έχουν συνδεθεί αντίστροφα οι πόλοι στα ηχεία-δορυφόρους (π.χ. ο θετικός στον αρνητικό πόλο). Αν κάτι είναι εκτός φάσης μπορεί ο ήχος να είναι παραμορφωμένος και η ηχητική εικόνα ανακριβής και ασταθής ή να είναι περιορισμένες οι χαμηλές συχνότητες (μπάσα) ή και τα δύο.
- Ότι έχετε συνδέσει σωστά τα κανάλια (το δεξί (Right – R) στο δεξί και το αριστερό (Left – L) στο αριστερό). Τέτοιου είδους λάθος σύνδεση μπορεί να έχει σαν αποτέλεσμα, τα όργανα της ορχήστρας να ακούγονται σαν να ήταν τοποθετημένα ανάποδα ή – ακόμη χειρότερα – ο ήχος σε ένα σύστημα Home Theatre να έρχεται αντίθετα από τη δράση στην οθόνη.

Ενεργοποίηση και απενεργοποίηση του ηχείου

Καλό είναι, το subwoofer να τίθεται σε λειτουργία πριν από τον ενισχυτή σας και αντίστροφα να απενεργοποιείται τελευταία.

Ο διακόπτης MODE (αναμονή λειτουργίας / αυτόματη ενεργοποίηση / ενεργοποίηση) (4), δεν διακόπτει εντελώς την παροχή ρεύματος στη συσκευή, αλλά διατηρεί ρεύμα σε ένα βοηθητικό κύκλωμα εντοπισμού σημάτων.

Ο διακόπτης (4) λειτουργεί ως εξής:

Θέση On:

Όταν ο διακόπτης βρίσκεται στη θέση αυτή, ο ενισχυτής είναι διαρκώς σε λειτουργία και η φωτεινή ένδειξη (1)

είναι πράσινη.

Auto:

Την πρώτη φορά που θα βάλετε το διακόπτη στη θέση Auto, ο ενισχυτής του subwoofer θα τεθεί σε πλήρη λειτουργία και η φωτεινή ένδειξη (1) θα ανάψει σε πράσινο χρώμα. Αν περάσουν 5 λεπτά χωρίς η συσκευή να δεχτεί κάποιο σήμα, ο ενισχυτής θα τεθεί αυτόματα σε αναμονή λειτουργίας, και η φωτεινή ένδειξη θα γίνει κόκκινη. Μόλις εντοπιστεί σήμα, ο ενισχυτής θα τεθεί αυτόματα σε λειτουργία, και η ένδειξη θα γίνει πάλι πράσινη.

Standby:

Στη θέση αυτή, ο ενισχυτής είναι μονίμως σε αναμονή λειτουργίας, και η φωτεινή ένδειξη είναι κόκκινη.

Αν δεν σκοπεύετε να χρησιμοποιήσετε το subwoofer για σχετικά μεγάλο χρονικό διάστημα, συνιστούμε να το θέσετε εκτός λειτουργίας, είτε κλείνοντας το διακόπτη POWER (11) είτε βγάζοντάς το από την πρίζα.

Χρήση των ρυθμιστικών πλήκτρων του ASW™CDM

Υπάρχουν 5 ρυθμιστικά:

- Το ρυθμιστικό της έντασης (VOLUME) (2)
- Το ρυθμιστικό της συχνότητας low-pass (LOW-PASS FREQUENCY) (3)
- Ο διακόπτης PHASE (7)
- Ο διακόπτης του φίλτρου low-pass (LOW-PASS FILTER) (6)
- Ο διακόπτης ισοστάθμισης (EQ) (5)

Οι ιδανικές ρυθμίσεις εξαρτώνται από τον υπόλοιπο εξοπλισμό που χρησιμοποιείτε. Αν χρησιμοποιείτε δύο subwoofers, οι ρυθμίσεις θα πρέπει να είναι ίδιες και στα δύο.

Χρήση με αποκωδικοποιητές home theatre

Το ενεργό subwoofer B&W ASW δεν είναι εγκεκριμένο για χρήση με το σύστημα THX®, όμως αν θέλετε μπορείτε να το χρησιμοποιήσετε με έναν THX® controller.

- Βάλτε το ρυθμιστικό έντασης (VOLUME) του αποκωδικοποιητή στη μεσαία θέση (θέση "12:00" δεικτών ρολογιού).
- Η θέση του ρυθμιστικού LOW-PASS FREQUENCY δεν έχει σημασία.
- Βάλτε αρχικά το διακόπτη PHASE στη θέση 0°.
- Βάλτε το διακόπτη LOW-PASS στη θέση OUT.
- Αρχικά, βάλτε το διακόπτη EQ στη θέση A.

Διαβάστε επίσης την ενότητα "Τελικές Ρυθμίσεις".

Αν έχετε έναν αποκωδικοποιητή THX®, βεβαιωθείτε ότι η λειτουργία του subwoofer είναι ενεργοποιημένη αν ισχύει αυτό, θα είναι ενεργοποιημένα

και όλα τα φίλτρα και οι ρυθμίσεις στάθμης που απαιτούνται για το subwoofer, σε όλους τους τύπους surround. Για να ρυθμίσετε σωστά το επίπεδο έντασης του subwoofer θα πρέπει να χρησιμοποιήσετε το δοκιμαστικό σήμα του αποκωδικοποιητή και τα ρυθμιστικά της στάθμης των καναλιών. Σε κάθε περίπτωση θα πρέπει όλες οι στάθμες να δίνουν επίπεδο ηχητικής πίεσης (SPL) 75dB (C-weighted) στη θέση ακρόασης, το οποίο θα καθοριστεί με τη βοήθεια του δοκιμαστικού σήματος του αποκωδικοποιητή.

Αν ο αποκωδικοποιητής σας δεν διαθέτει σύστημα THX®, θα πρέπει πριν ρυθμίσετε τις στάθμες να ορίσετε τα εμπρόσθια και τα πίσω ηχεία σας ως "μεγάλα" ή "μικρά", ανάλογα με την ικανότητά τους να αποδώσουν τις χαμηλές συχνότητες. Χρησιμοποιήστε το δοκιμαστικό σήμα και τα ρυθμιστικά έντασης του αποκωδικοποιητή για να ρυθμίσετε τις στάθμες όλων των ηχείων. Αλλάξτε τη θέση του ρυθμιστικού έντασης (VOLUME) του subwoofer μόνο αν το αντίστοιχο ρυθμιστικό του αποκωδικοποιητή δεν έχει το απαιτούμενο εύρος για τη στάθμη που θέλετε.

Για να μετρήσετε το επίπεδο του ήχου μπορείτε να χρησιμοποιήσετε κάποιο από τους φθηνούς σχετικά μετρητές που κυκλοφορούν στο εμπόριο. Για περισσότερες λεπτομέρειες διαβάστε τις οδηγίες χρήσης του αποκωδικοποιητή.

Χρήση με στερεοφωνικό συγκρότημα

- Βάλτε το ρυθμιστικό έντασης (VOLUME) του αποκωδικοποιητή στην μεσαία θέση (θέση "12:00" δεικτών ρολογιού).
- Βάλτε το ρυθμιστικό LOW-PASS FREQUENCY αρχικά στη θέση 80Hz.
- Βάλτε το διακόπτη LOW-PASS FREQUENCY στη θέση IN.
- Βάλτε το διακόπτη EQ αρχικά στη θέση A.
- Βάλτε αρχικά το διακόπτη PHASE στη θέση 0°.

Διαβάστε επίσης την ενότητα "Τελικές Ρυθμίσεις".

Τελικές ρυθμίσεις

Ο διακόπτης EQ έχει δύο θέσεις. Η θέση B δίνει τα υψηλότερα επίπεδα έντασης από το subwoofer, ενώ η θέση A ενδείνει τα μπάσα, δίνοντας ταυτόχρονα έναν πιο "συμπαγή" ήχο.

Στερεοφωνικό συγκρότημα

Η ιδανικές θέσεις του διακόπτη PHASE και του ρυθμιστικού LOW-PASS FREQUENCY είναι αλληλοεξαρτώμενες αλλά έχουν σχέση και με τη δυνατότητα "αποκοπής" (cut-off) των χαμηλών συχνοτήτων από τα ηχεία- "δουροφόρους", καθώς και με τις θέσεις όλων των ηχείων στο χώρο

ακρόασης.

Εγκαταστήστε το σύστημά σας στις θέσεις που θέλετε και βάλτε να παίζει ένα μουσικό κομμάτι (ή άλλο υλικό) με σταθερά μπάσα. Η καλύτερη ρύθμιση για το ρυθμιστικό LOW-PASS FREQUENCY εξαρτάται από διάφορες παραμέτρους, όπως η ικανότητα των ηχείων-δουροφόρων να αποδώσουν τα μπάσα, ο αριθμός των subwoofers που χρησιμοποιείτε και η θέση τους σε σχέση με τα ηχεία-δουροφόρους. Η περιοχή μεταξύ 80 και 90 Hz είναι μία καλή αφετηρία για τη ρύθμιση της συχνότητας LOW-PASS. Αν δεν χρησιμοποιείτε δύο subwoofers – ένα για κάθε κανάλι – τοποθετημένα κοντά στο αντίστοιχο ηχείο-δουροφόρο, καλό είναι να μην αυξήσετε τη συχνότητα αποκοπής (cut-off frequency) γιατί μπορεί να επηρεαστεί αρνητικά η στερεοφωνική εικόνα. Εξετάστε την πιθανότητα να αυξήσετε τη συχνότητα αποκοπής (με ένα subwoofer στο σύστημα) μόνο αν η δυνατότητα απόδοσης των μπάσων από τα ηχεία δουροφόρους είναι πολύ περιορισμένη.

Εάν κάνετε οποιεσδήποτε αλλαγές στην ενίσχυση (π.χ. εάν αλλάξετε την σύνδεση του subwoofer από speaker level (επίπεδο ηχείων) σε line level (επίπεδο line), όπου τα χαρακτηριστικά φάσης του υπερπαρατού φίλτρου (high-pass) του subwoofer είναι διαφορετικά για κάθε ένα από τα επίπεδα αυτά) θα πρέπει να ελέγξετε πάλι τη θέση του διακόπτη phase.

Ρυθμίστε την σχέση της έντασης (balance) μεταξύ του subwoofer και των ηχείων-δουροφόρων στο επίπεδο που θέλετε. Για να βρείτε κάποια ικανοποιητική σχέση, κάνετε δοκιμές ακούγοντας αρκετά και διαφορετικά μεταξύ τους μουσικά κομμάτια, αφού η σχέση που ακούγεται ικανοποιητική σε κάποιο κομμάτι μπορεί να είναι υπερβολική σε κάποιο άλλο. Κάνετε τις δοκιμές, με το συνολικό ήχο σε μέτρια επίπεδα έντασης γιατί η σχέση μεταβάλλεται ανάλογα με την ένταση.

Home theatre

Η περίπτωση των συστημάτων home theatre είναι κάπως διαφορετική από αυτή των απλών στερεοφωνικών συστημάτων. Το κανάλι του subwoofer (LFE – Low Frequency Effects) είναι ξεχωριστό κανάλι και όχι μία προέκταση του σήματος που οδηγείται στα ηχεία. Το φίλτρο LOW-PASS είναι απενεργοποιημένο, γιατί ο αποκωδικοποιητής εφαρμόζει όλα τα φίλτρα που είναι απαραίτητα για τα ηχεία που έχουν ορίσει "μικρά". Ωστόσο, θα πρέπει και εδώ να ρυθμίσετε τη θέση του διακόπτη phase. Κανονικά, η φάση θα πρέπει να ρυθμιστεί στη θέση 0°, αλλά αν η απόσταση του subwoofer από τη θέση ακρόασης είναι διαφορετική από αυτή των άλλων ηχείων, ή αν ο τελικός ενισχυτής που οδηγεί τα άλλα ηχεία αντιστρέφει το σήμα, ίσως η θέση 180° να είναι προτιμότερη. Προσέξτε το συνολικό άκουσμα βάζοντας τον διακόπτη και στις δύο θέσεις, και

επιλέξτε αυτή που δίνει τον πληρέστερο ήχο. Αν η διαφορά είναι μικρή, επιλέξτε την θέση 0°.

Συνήθως, οι αποκωδικοποιητές παράγουν ένα δοκιμαστικό ηχητικό σήμα με την βοήθεια του οποίου μπορείτε να ρυθμίσετε τις στάθμες όλων των ηχείων, κάνοντας έτσι την διαδικασία ευκολότερη από ότι για ένα στερεοφωνικό συγκρότημα. Ωστόσο, μην διατάσσετε να αλλάξετε τις ρυθμίσεις με βάση τις προσωπικές σας προτιμήσεις. Είναι εύκολο να παρασυρθεί κανείς με τις δυνατότητες ενός subwoofer, ειδικά σε σχέση με κάποια ειδικά ηχητικά εφφέ χαμηλών συχνοτήτων. Πολύ συχνά, μία πιο ρεαλιστική και πιθανότατα περισσότερο ικανοποιητική αναπαραγωγή επιτυγχάνεται αν ρυθμίσετε τη στάθμη του subwoofer χαμηλότερα από αυτή των υπόλοιπων ηχείων.

Για όλες τις εφαρμογές

Εάν η απόδοση των χαμηλών είναι "άνιση", δηλαδή εάν κάποιες χαμηλές νότες τονίζονται περισσότερο από κάποιες άλλες, είναι πολύ πιθανό αυτό να οφείλεται στην ηχητική συμπεριφορά του χώρου, και θα ήταν καλό να κάνετε κάποιους πειραματισμούς ως προς τη θέση του subwoofer. Ακόμα και μικρές αλλαγές στην τοποθέτηση (της τάξεως π.χ. των 15 εκατοστών), μπορούν να οδηγήσουν σε σημαντική βελτίωση του ήχου. Δοκιμάστε να σηκώσετε το ηχείο ψηλότερα από το πάτωμα ή να το μετακινήσετε στο πλάι. Η χρήση περισσότερων από ένα subwoofers μπορεί να βοηθήσει αισθητά στον έλεγχο των αντηχίσεων του χώρου. Μπορείτε επίσης να μεταβάλλετε τη σχέση μεταξύ της απόστασης subwoofer – ακροατή και δουροφόρων – ακροατή. Αν κάνετε κάτι τέτοιο θα πρέπει να ελέγξετε πάλι τη θέση του διακόπτη phase. Ελέγξτε επίσης το επίπεδο έντασης του subwoofer (είτε από το ρυθμιστικό έντασης του αποκωδικοποιητή, είτε το ρυθμιστικό έντασης του ενισχυτή του subwoofer), αλλά μόνο αφού έχετε ρυθμίσει σωστά το διακόπτη phase.

Φροντίδα του ηχείου

Μπορείτε να καθαρίσετε την καμπίνα του subwoofer χρησιμοποιώντας ένα στεγνό κομμάτι ύφασμα. Εάν θέλετε να χρησιμοποιήσετε κάποιο καθαριστικό σε μορφή σπρέι, μην ψεκάσετε κατ' ευθείαν στην καμπίνα αλλά στο ύφασμα. Πριν καθαρίσετε την καμπίνα, αφαιρέστε τη μπαταρία προσέχοντας να μην προξενήσετε ζημιά στο μέγανθο. Μπορείτε να καθαρίσετε τη μπαταρία χρησιμοποιώντας μία μαλακή βούρτσά.

Μην τοποθετείτε αντικείμενα επάνω στο ηχείο. Όταν το subwoofer λειτουργεί δημιουργούνται κραδασμοί και μπορεί να αντικείμενα να πέσουν και να προξενήσουν ζημιά. Αποφύγετε κυρίως το ενδεχόμενο να χυθεί κάποιο υγρό επάνω στο ηχείο (π.χ. κάποιο

ποτό ή το νερό από κάποιο βάζο).

Αν δεν πρόκειται να χρησιμοποιήσετε το σύστημα για μεγάλο χρονικό διάστημα, βγάλτε το subwoofer από την πρίζα.

Σημείωση: Αν το subwoofer υπεριοδηγηθεί (δηλαδή λάβει πολύ ισχυρό σήμα που δεν μπορεί να χειριστεί) θα τεθεί αυτόματα εκτός λειτουργίας. Αν συμβεί κάτι τέτοιο κλείστε το με το διακόπτη POWER (10) του ενισχυτή, και ανοίξτε το πάλι.

Русский

Ограниченная гарантия

Уважаемый покупатель!

Добро пожаловать в компанию B&W!

Данное изделие было разработано и произведено в соответствии с высочайшими стандартами качества. Однако, при возникновении какой-либо неисправности, компания B&W Loudspeakers и её национальные дистрибьютеры гарантируют бесплатную починку (существуют некоторые исключения) и замену частей в любой стране, обслуживаемой официальным дистрибьютером компании B&W.

Данная ограниченная гарантия действительна на период одного года со дня приобретения изделия конечным потребителем.

Условия гарантии

- 1 Данная гарантия ограничивается починкой оборудования. Затраты по перевозке и любые другие затраты, а также риск при отключении, перевозке и установке изделий не покрываются данной гарантией.
- 2 Действие данной гарантии распространяется только на первоначального владельца и не может быть переданной другому лицу.
- 3 Данная гарантия распространяется только на те неисправности, которые вызваны дефектными материалами и/или дефектами при производстве на момент приобретения и не распространяется:
 - a на повреждения, вызванные неправильной установкой, подсоединением или упаковкой,
 - b на повреждения, вызванные использованием, не соответствующим описанному в руководстве по применению, а также неправильным обращением, модифицированием или использованием запасных частей, не произведённых или не одобренных компанией B&W,
 - в на повреждения, вызванные неисправным или неподходящим вспомогательным оборудованием,
 - г на повреждения, вызванные несчастными случаями, молнией, водой, огнём, теплом, войной, публичными беспорядками или же любыми другими факторами, не подпадающими под контроль компании B&W и её официальных дистрибьютеров,
 - д на изделия, чей серийный номер был изменён, уничтожен или сделан неузнаваемым,

е в случае, если починка или модификации оборудования производились лицом, не уполномоченным компанией B&W.

4 Данная гарантия является дополнением к национальному/ региональным законодательствам, которым подчиняются дилеры или национальные дистрибьютеры, то есть при возникновении противоречий, национальные/ региональные законодательства имеют приоритетную силу. Данная гарантия не нарушает Ваших прав потребителя.

Как требовать гарантийную починку

При необходимости получения гарантийного обслуживания, выполните следующие шаги:

- 1 Если оборудование используется в стране приобретения, Вам необходимо связаться с уполномоченным дилером компании B&W, где было приобретено оборудование.
- 2 Если оборудование используется за пределами страны приобретения, Вам необходимо связаться с национальным дистрибьютером компании B&W в данной стране, который предоставит Вам совет об обслуживании оборудования. Вы можете позвонить в компанию B&W в Великобритании или же посетить наш вебсайт для того, чтобы узнать контактный адрес Вашего местного дистрибьютера.

Для получения гарантийного обслуживания, Вам необходимо предоставить данный буклет, заполненный Вашим дилером и с поставленной им печатью в день приобретения оборудования; или же чек продажи или другое доказательство владения оборудованием и даты приобретения.

Руководство по эксплуатации

ВАЖНЫЕ ИНСТРУКЦИИ ПО БЕЗОПАСНОСТИ



Внимание:

Для снижения опасности поражения электрическим током не снимайте заднюю панель и не подвергайте аппарат воздействию дождя или влаги. Внутри нет элементов, необходимых пользователю. Предоставьте техническое обслуживание квалифицированному персоналу.

Объяснение графических символов:



Изображение молнии в равносоставленном треугольнике предупреждает о наличии внутри корпуса аппарата неизолированного напряжения, величина которого может создавать опасность поражения человека электрическим током.



Изображение восклицательного знака в равносоставленном треугольнике предупреждает о том, что в сопроводительной документации на аппарат имеются важные инструкции по эксплуатации и техническому обслуживанию.

ПРЕДУПРЕЖДЕНИЯ:

- 1 Прочтите инструкции – Перед началом эксплуатации аппарата необходимо прочесть все инструкции по технике безопасности и эксплуатации.
- 2 Сохраняйте инструкции – Инструкции по технике безопасности и эксплуатации необходимо сохранять для последующих справок.
- 3 Обращайте внимание на предостережения – Необходимо учитывать все предостережения, указанные на аппарате и в инструкциях по его эксплуатации.
- 4 Следуйте инструкциям – Необходимо следовать всем инструкциям по эксплуатации.
- 5 Установка – устанавлируйте аппарат в соответствии с инструкциями изготовителя.
- 6 Источники питания – Аппарат следует подсоединять к источнику питания только того типа, который указан на задней панели. Если Вы не знаете параметров электросети в Вашем доме, обратитесь к Вашему дилеру или в местную электрическую компанию.
- 7 Заземление и соблюдение полярности – Этот аппарат не требует заземления. Убедитесь, что вилка полностью вставлена в стенную розетку или в розетку удлинителя, для предотвращения поражения электрическим током. Если Вы пользуетесь удлинителем или шнуром питания, не входящим в комплект аппарата, проследите, чтобы он был оборудован литыми вилками и соответствовал принятым в Вашей стране нормам электробезопасности.
- 8 Защита шнуров питания – Шнуры питания должны прокладываться таким образом, чтобы на них не

наступали и не задевали какими-либо предметами; обращайтесь особое внимание на места вблизи вилки, штепсельных разъемов и выхода шнура из корпуса аппарата.

- 9 Перегрузка – Не перегружайте розетки электросети и удлинители, так как это может привести к возгоранию или поражению электрическим током.
- 10 Вентиляция – Панель усилителя в задней части аппарата является частью системы охлаждения и не должна загоразживаться, поэтому не размещайте изделие на кровати, софе, ковре или подобной мягкой поверхности. Не накрывайте панель усилителя скатертью, газетой и т.п. Убедитесь, что ребра радиатора ориентированы вертикально для обеспечения должного охлаждения. Между задней частью аппарата и стеной должно оставаться не менее 50 мм свободного пространства. Если аппарат встраивается в стойку, полку, ящик и т.п., должен быть обеспечен приток воздуха к задней панели в виде: а) 12-мм зазора сверху, снизу и с боков аппарата, который сообщается с комнатой; либо б) двух труб (коробов) сечением минимум 150 кв. см., ведущих из комнаты к отверстиям 300 мм (ширина) x 50 мм (глубина) сверху и снизу ящика; в обоих случаях следует обеспечить зазор позади аппарата.
- 11 Источники тепла – Аппарат следует размещать вдали от источников тепла, таких как радиаторы, тепловые завесы, печи или другие приборы (включая усилители), которые выделяют тепло. Нельзя ставить на аппарат источники открытого огня, например, горящие свечи.
- 12 Настенный монтаж или крепление к потолку – Аппарат следует монтировать на стене или на потолке только в соответствии с рекомендациями изготовителя.
- 13 Вода и влага – Не используйте аппарат вблизи воды – например, рядом с ванной, раковиной, кухонной мойкой, стиральной машиной; в подвалах с повышенной влажностью или рядом с плавательным бассейном и т.п.
- 14 Попадание внутрь предметов и жидкостей – Никогда не вставляйте какие-либо предметы внутрь аппарата через отверстия, так как они могут коснуться точек под опасным напряжением или вызвать короткое замыкание, что может привести к возгоранию или поражению электрическим током. Никогда не проливайте какую-либо жидкость на аппарат.
- 15 Очистка – Перед очисткой выньте вилку шнура питания аппарата из розетки электросети. Стирать пыль с корпуса сабвуфера можно куском

сухой ткани. При пользовании аэрозольными чистящими средствами их следует распылять не прямо на корпус, а на ткань. Сначала снимите декоративную решетку, чтобы не запачкать ее, однако будьте осторожны и не повредите динамик. Решётку можно чистить мягкой щёткой.

- 16 Приспособления – Не пользуйтесь приспособлениями, не рекомендованными изготовителем, так как это может привести к опасным ситуациям.
- 17 Пренадлежности – Не размещайте аппарат на неустойчивой тележке, стойке, кронштейне или столе. Аппарат может упасть, нанеся серьезную травму ребенку или взрослому и сам получить повреждения. Используйте только рекомендованные изготовителем или входящие в комплект аппарата стойки и т.п. Любой монтаж аппарата следует проводить только в соответствии с инструкциями изготовителя, а монтажные приспособления должны быть рекомендованы изготовителем.
- 18 Перемещение – Тележку с установленным аппаратом следует перемещать осторожно. Резкие остановки, приложение излишних усилий и неровный пол могут привести к опрокидыванию тележки. Убедитесь, что под ковром не проодат электропровода, которые могут быть повреждены шиповыми опорами аппарата. Не тащите аппарат волоком, так как шиповые опоры могут отломиться от корпуса и вызвать повреждения. Соблюдайте осторожность, чтобы не причинить себе травму шиповыми опорами.
- 19 Перебывы в использовании – Во время грозы, а также если аппарат предполагается долго не использовать, выньте вилку шнура питания из розетки электросети.
- 20 Обслуживание – Не пытайтесь обслуживать данный аппарат самостоятельно, так как при открывании или снятии крышек Вы можете попасть под опасное для жизни напряжение и подвергаете себя другим опасностям. Предоставьте техническое обслуживание квалифицированному персоналу.
- 21 Повреждения, требующие технического обслуживания – Выньте вилку шнура питания аппарата из розетки электросети и обратитесь к квалифицированному мастеру в следующих случаях:
 - а Повреждены шнур питания или вилка.
 - б Внутрь аппарата попали предметы или жидкость.
 - в Аппарат подвергся воздействию дождя или воды.



- г Аппарат не обеспечивает нормальную работу при выполнении инструкций по эксплуатации. Пользуйтесь только указанными в инструкциях по эксплуатации органами управления, так как неправильное проведение прочих регулировок может привести к повреждениям, устранение которых потребует сложного ремонта с привлечением высококвалифицированного персонала.
- д Аппарат уронили или он имеет другие повреждения.
- е Произошли заметные изменения в работе аппарата – это указывает на необходимость проведения технического обслуживания.
- 22 Замена деталей – Когда требуется замена деталей, убедитесь в том, что мастер устанавливает детали, рекомендованные изготовителем, или имеющие характеристики, аналогичные оригинальным деталям. Неавторизованная замена деталей может привести к возгоранию, поражению электрическим током и другим опасным ситуациям.



- 23 Сетевые предохранители – Для исключения возможности возгорания, используйте предохранители только надлежащего типа и номинала. Усилитель рассчитан на работу с номинальным напряжением сети от 100 В до 230 В переменного тока, но, в зависимости от напряжения сети, используются разные типы предохранителей. Параметры предохранителей для каждого напряжения указаны на аппарате.
- 24 Проверка безопасности – После завершения любого обслуживания или ремонта этого аппарата попросите мастера провести проверку безопасности, чтобы убедиться в том, что аппарат подготовлен к эксплуатации.
- 25 Магнитные поля – Этот аппарат создает статическое магнитное поле рассеяния. Не размещайте предметы, на которые может повлиять магнитное поле (например, телевизоры и мониторы с электронно-лучевыми трубками, аудио и видео кассеты, магнитные карты) ближе 0,5 м от аппарата. На малом расстоянии аппарат способен вызвать искажение изображения, передаваемого электронно-лучевой трубкой.

Введение

Благодарим за приобретение типичного сабвуфера (низкочастотной

акустической системы) ASW производства компании B&W.

Со времени основания в 1966 году, компания Bowers & Wilkins всегда ставила своей целью безупречное воспроизведение звука. Водшейваемая в этом стремлении своим основателем, ныне покойным Джоном Бауэрсом, компания вкладывала большие средства не только в разработку новейших аудио технологий, но и в постоянное изучение особенностей современной музыки и кино, чтобы использовать эти технологии максимально эффективно.

Этот сабвуфер был разработан для использования в качестве акустической системы (AC) домашнего театра, а также для того, чтобы повысить уровень баса в двухканальной полнодиапазонной аудиосистеме. Добавка сабвуфера к Вашей аудиосистеме позволяет не только расширить басовый диапазон до наиболее низких частот, но и сделать чище звучание среднего диапазона, снижая низкочастотную нагрузку на Ваши колонки.

Пожалуйста, внимательно прочтите данное руководство перед использованием сабвуфера. Настройка любой аудиосистемы требует планирования и эксперимента для достижения наилучшего результата, и данное руководство поможет Вам в этом.

До подключения сабвуфера к электросети необходимо ознакомиться со всеми инструкциями по безопасности и предупреждениями.

Поместите это руководство в надёжное место для будущих справок.

Акустические системы компании B&W поставляются в более чем 60 стран по всему миру, и наша компания поддерживает международную сеть тщательно отобранных и высококвалифицированных дистрибьюторов. Если у Вас возникнет проблема, с которой не может справиться дилер, наши дистрибьюторы охотно придут Вам на помощь.

Распаковка

(рис.1)

Ниже описан простейший способ распаковки сабвуфера без повреждений:

- Отогните верхние клапаны коробки и переверните её вместе с содержимым.
- Снимите коробку с аппарата.

Мы рекомендуем сохранить упаковку для использования в будущем.

Помимо данного руководства, коробка должна содержать:

- 1 Сабвуфер
- 1 Комплект принадлежностей, включающий:
 - 4 резиновые ножки
 - 4 шиповые ножки
 - 4 контргайки

- 4 шиповые ножки
- 4 контргайки

1 документ с Международной гарантией

Элементы сабвуфера

(рис.2)

1. Индикатор питания/резервного режима
2. Регулятор громкости (VOLUME)
3. Регулятор граничной частоты НЧ фильтра (LOW-PASS FREQUENCY)
4. Переключатель Вкл/Авто/Готовность (MODE On/Auto/Standby)
5. Переключатель частотной коррекции (EQ)
6. Выключатель НЧ фильтра (LOW-PASS FILTER)
7. Переключатель фазы (PHASE)
8. Линейный вход (LINE IN)
9. Линейный выход фильтрованного ВЧ сигнала (LINE OUT)
10. Линейный выход сигнала для подачи на второй сабвуфер (LINK OUT)
11. Выключатель питания (POWER)
12. Патрон предохранителя
13. Разъём шнура питания

Размещение сабвуфера

Из-за того, что сабвуфер издает только низкочастотные звуки, его размещение не так критично, как размещение полнодиапазонных колонок.

Определение источника звука гораздо менее точно, и у Вас есть возможность широкого выбора при размещении сабвуфера для достижения наилучшего эффекта. Однако, лучшие результаты достигаются, если сабвуфер размещён между колонками-спутниками или вблизи одной из них. При использовании двух сабвуферов лучше всего поместить каждый из них рядом со своей колонкой.

Размещение сабвуфера позади слушателей даже в системах окружающего звука обычно ухудшает формирование звукового образа, однако может быть приемлемо, если условия комнаты не допускают других вариантов.

Расстояние до стен комнаты влияет на звучание сабвуфера, как и любой другой колонки. Чем больше близко расположенных к колонкам поверхностей, тем сильнее, как правило, звучит бас. Однако, в отличие от полнодиапазонных колонок, уровень громкости сабвуфера можно отрегулировать и таким образом восстановить корректный тональный баланс всей системы. Чем сильнее отражение звука в комнате, тем легче работа колонок, но здесь есть и обратная сторона. Установка колонки в углу часто приводит к усилению низкочастотных резонансов комнаты,

делающих бас неравномерным по частоте. Все помещения обладают различными акустическими свойствами, поэтому нельзя обойтись без эксперимента. Попробуйте установить сабвуфер в разных местах комнаты, прежде чем принять окончательное решение.

Прислушивание музыкальных произведений с восходящими и нисходящими басовыми пассажами помогает определить, насколько гладка низкочастотная характеристика. Прислушайтесь к звучанию особо ярко выраженных или же тихих нот. Обладание отдельным сабвуфером позволяет Вам оптимизировать его размещение с точки зрения резонансов, независимо от размещения спутников, нацеленного на лучшее формирование звукового образа.

Если сабвуфер необходимо разместить в замкнутом пространстве (например, в построенной на заказ мебели), то это пространство должно быть хорошо вентилируемо для охлаждения аппарата. Посоветуйтесь об этом со своим дилером.

В комплект сабвуфера входят четыре шиповые ножки. Шипы протыкают ковер и обеспечивают прочную опору сабвуфера о пол без повреждения ворса ковра.

Если приходится размещать сабвуфер на уязвимой поверхности, вроде деревянного пола, подложите под шипы защитные прокладки или замените шипы резиновыми ножками.

Для прикрепления шиповых или резиновых ножек сначала полностью навинтите контргайки на резьбу ножек, затем плотно закрутите ножки в отверстия в корпусе сабвуфера. Если сабвуфер шатается, отрегулируйте высоту двух противостоящих ножек, пока сабвуфер не будет прочно установлен, а потом заново затяните контргайки.

Убедитесь, что под ковром не проходят электропровода, которые могут быть повреждены шиповыми опорами аппарата.

Не тящите аппарат волоком, так как шиповые опоры могут отломиться от корпуса и вызвать повреждение.

При передвижении аппарата соблюдайте осторожность, чтобы не повредить свои ноги его шиповыми опорами.

Электрические соединения

Во избежание повреждений отсоедините питание всего аудио оборудования на время осуществления и проверки подсоединений.

Задача сабвуфера состоит в приёме сигнала от усилителя и, при необходимости, в двухканальных системах, разделении сигнала на низкие басовые и более высокие частоты и посылке высокочастотного сигнала далее на колонки-спутники. Если требуется, сигналы левого и правого каналов могут быть сведены в

единый монофонический низкочастотный сигнал, подаваемый на динамик сабвуфера.

Сабвуфер вводит и выводит сигналы линейного уровня посредством разъемов типа RCA, расположенных на задней панели.

Выбирая способ соединения Вашей аудиосистемы, воспользуйтесь следующими рекомендациями:

Применение: Домашний театр

Сабвуфер можно использовать с любым декодером, имеющим сабвуферный выход линейного уровня (обычно на разъеме типа RCA).

Большинство декодеров со встроенными усилителями все же выводит сигнал сабвуфера или сигнал низкочастотных эффектов (LFE) на линейном уровне.

- Декодер с одним или несколькими сабвуферами (рис.3).

Применение: 2-канальная аудиосистема

С отдельными предусилителем и усилителем мощности:

a Один или несколько сабвуферов при выходе, объединённом в единый монофонический сигнал (рис.4).

b Два сабвуфера при раздельных левом и правом каналах (рис.5)

Сабвуфер не предназначен для использования с двухканальными интегрированными (предусилитель + усилитель мощности) усилителями.

Использование нескольких сабвуферов

Использование более, чем одного сабвуфера в одной аудиосистеме может улучшить воспроизведение звука следующими способами:

- Поддержка разделения стерео каналов до самых низких частот.
- Способность системы к работе в больших помещениях.
- Достижение большей максимальной мощности звука, что улучшает воспроизведение звуковых эффектов в домашнем кинотеатре.
- Уменьшение влияния низкочастотного резонанса помещения.

В 2-канальной аудиосистеме разделение стерео каналов улучшается при условии, что каждый канал оснащён своим сабвуфером, расположенным рядом со своей колонкой-спутником. Если Вы не можете обеспечить такое расположение, следует использовать моно соединение, показанное на рис. 4.

Проверка правильности подключений

Перед проверкой качества звучания новой аудиосистемы и её точной

настройкой, дважды проверьте правильность всех соединений. Пользователи часто жалуются, что не могут добиться хорошего звучания системы вне зависимости от её регулировки. Это, как правило, вызвано неправильным подключением. Убедитесь в том, что:

- Правильно выбрана фаза – положительные клеммы не должны быть подключены к отрицательным клеммам колонок. Неправильный выбор фазы приводит к размытости звука с неустойчивым звуковым образом или к нехватке басов, или к тому и к другому вместе.
- Правый и левый каналы не перепутаны. Это может привести к тому, что, скажем, звучание инструментов в оркестре покажется зеркально отражённым или же, что ещё более неприятно, звуки не будут совпадать с происходящим на экране телевизора.

Включение и выключение питания

Мы рекомендуем включать сабвуфер до включения усилителя мощности, получающих сигнал от сабвуфера, а выключать его, наоборот, последним.

Переключатель MODE standby/auto/on (4) не полностью отключает усилитель от электросети. Он поддерживает маломощное питание вспомогательной управляющей цепи.

Переключатель (4) работает следующим образом:

On:

При переключателе в этом положении, усилитель постоянно остаётся включённым и световой индикатор светится зелёным цветом.

Auto:

При первом переключении сабвуфера в авто-режим, усилитель полностью включается и световой индикатор (1), светится зелёным цветом. Примерно через 5 минут, если на вход не поступил сигнал, усилитель автоматически переходит в режим готовности и цвет индикатора меняется на красный. При обнаружении входного сигнала усилитель автоматически переходит в рабочий режим и индикатор становится зелёным.

Standby:

При таком положении переключателя усилитель постоянно находится в режиме готовности и индикатор светится красным цветом.

Если Вы собираетесь длительное время не пользоваться сабвуфером, советуем отсоединить его от сети либо выключателем POWER (11), либо вытащив вилку из розетки.

Настройка сабвуфера органами управления

Сабвуфер имеет 5-ю органами управления:

- Регулятором громкости (VOLUME) (2)
- Регулятором граничной частоты НЧ фильтра (LOW-PASS FREQUENCY) (3)
- Переключателем фазы (PHASE) (7)
- Выключателем НЧ фильтра (LOW-PASS FILTER) (6)
- Переключателем частотной коррекции (EQ) (5)

Оптимальное положение регуляторов зависит от того, какое оборудование используется совместно с сабвуфером. При использовании более одного сабвуфера, убедитесь, что регуляторы обоих сабвуферов находятся в одинаковом положении.

Использование с декодерами домашнего театра

Активный сабвуфер B&W ASW не является лицензированным компонентом THX®, но, при желании, может быть использован с контроллером THX®.

- Установите регулятор VOLUME декодера в среднее положение ("12 часов").
- Положение регулятора LOW-PASS FREQUENCY не имеет значения.
- Первоначально, установите переключатель PHASE в положение 0°.
- Установите выключатель LOW-PASS FILTER в положение OUT (Выключен).
- Первоначально, установите переключатель EQ в положение A.

См. также раздел "Точная настройка".

Если Вы пользуетесь контроллером THX®, убедитесь, что активирована его функция сабвуфера. В этом случае контроллер сам выполняет всю фильтрацию сигнала и установку уровня для сабвуфера во всех режимах. Для калибровки уровня громкости следует использовать тестовый генератор шума и регуляторы уровня каналов контроллера THX®. Во всех случаях на месте прослушивания должен быть достигнут уровень звукового давления 75 дБ (взвешенный по кривой С) на тестовом сигнале.

При использовании других декодеров, characterize фронтальные АС и тыловые АС как "большие" или "малые" перед калибровкой уровня громкости. Для калибровки уровня громкости используйте тестовый генератор шума и регуляторы уровня каналов декодера. Изменяйте положение регулятора VOLUME сабвуфера только в том случае, если декодер не обладает достаточным диапазоном для достижения правильного уровня громкости.

Для калибровки уровня хорошо использовать недорогие измерители звукового давления, которые продаются в магазинах электронной аппаратуры. Подробно о калибровке 42

уровня громкости см. инструкцию по эксплуатации декодера.

Использование в 2-канальной аудиосистеме

- Первоначально, установите регулятор VOLUME в среднее положение ("12 часов").
- Первоначально, установите регулятор LOW-PASS FREQUENCY в положение 80 Гц.
- Установите выключатель LOW-PASS FILTER в положение IN (Включен).
- Первоначально, установите переключатель EQ в положение A.
- Первоначально, установите переключатель PHASE в положение 0°.

См. также раздел "Точная настройка".

Точная настройка

Переключатель частотной коррекции EQ имеет два положения. Положение В оптимизировано для достижения наибольшей громкости звука, тогда как положение А позволяет достигнуть более глубокого и плотного баса.

2-канальная аудиосистема

Оптимальные установки переключателя PHASE и регулятора LOW-PASS FREQUENCY взаимосвязаны и, помимо этого, зависят от параметров НЧ среза характеристики спутников и расположения всех колонок в системе по отношению друг к другу.

Установите систему в выбранное положение и включите музыку с равномерной басовой составляющей. Оптимальное положение регулятора LOW-PASS FREQUENCY зависит от базовой характеристики и мощности спутников; количества используемых сабвуферов и их расположения относительно спутников. Для начала хорошо установить 80 – 90 Гц. Если только для каждого канала не устанавливается отдельный сабвуфер, стоящий рядом с спутником, более высокие граничные частоты могут ухудшить стереообраз и должны рассматриваться только при очень ограниченной басовой характеристике спутников.

Каждый раз, регулируя граничную частоту, прислушайтесь к звучанию системы в обоих положениях переключателя фазы. Правильным является то положение, при котором бас звучит наиболее полно и насыщенно. Это зависит от низкочастотных характеристик спутников и относительного расстояния от сабвуфера (сабвуферов) и спутников до слушателей. При использовании нескольких сабвуферов, убедитесь в том, что их граничные частоты и переключатели фазы настроены одинаково.

Громкость сабвуфера по отношению к спутникам устанавливается в

зависимости от личного вкуса. Для выбора усредненного варианта, прослушайте разнообразные музыкальные произведения. То, что впечатляет на одном материале, может показаться слишком мощным для другого. Восприятие баланса зависит от уровня громкости, поэтому производите прослушивание на разумной громкости.

Домашний кинотеатр

Точная настройка сабвуфера в системе домашнего кинотеатра производится по-другому. Поступающий на сабвуфер сигнал низкочастотных эффектов (LFE) представляет собой отдельный канал, а не продолжение сигнала, подаваемого на другие колонки. НЧ фильтр выключен, так как декодер обеспечивает всю фильтрацию для любых колонок, характеризованных как "малые". Однако, положению переключателя фазы должно быть уделено внимание. Обычно фаза устанавливается на 0°, но, если сабвуфер расположен на гораздо большем расстоянии от слушателя, чем другие колонки, или усилитель мощности, питающий другие колонки, инвертирует сигнал, то положение 180° может оказаться предпочтительнее. Произведите прослушивание с переключателем в обоих положениях и выберите то, которое обеспечивает наиболее насыщенное звучание. Если разница небольшая, оставьте переключатель в положении 0°.

Обычно декодеры имеют тестовый генератор шумового сигнала, используемый для установки относительных уровней громкости всех колонок, что облегчает настройку системы домашнего кинотеатра по сравнению с двухканальной аудиосистемой. Однако, не бойтесь менять настройку в соответствии с Вашим вкусом. Очень легко увлечься возможностями сабвуфера, особенно специфическими низкочастотными эффектами. Однако, наиболее реалистичное и, в конечном итоге, наименее утопительное звучание достигается установкой уровня сабвуфера ниже, чем стандартный уровень калибровки.

Все способы использования

Если Вы ощущаете неравномерность баса, т.е. некоторые басовые тона звучат более подчеркнuto, чем остальные, то причиной этого может быть резонанс помещения и следует поэкспериментировать с расположением сабвуфера. Даже небольшое, – около 15 см, – перемещение может существенно повлиять на качество звука.

Попробуйте не только передвигать сабвуфер, но и приподнять его над полом. Использование нескольких сабвуферов может сгладить резонанс, т.к. каждый сабвуфер будет вызывать резонанс на разных частотах. При существенном изменении расстояния от сабвуфера (или сабвуферов) и

сателлитов до слушателей необходимо заново проверить положение переключателя фазы. Также, проверьте уровень громкости сабвуфера (при помощи выходного сигнала декодера или регулятора громкости сабвуфера, по ситуации), но сперва необходимо правильно настроить фазу.

Уход за сабвуфером

Стирать пыль с корпуса сабвуфера можно куском сухой ткани. При использовании аэрозольными чистящими средствами их следует распылять не прямо на корпус, а на ткань. Сначала снимите декоративную решётку, чтобы не запачкать её, однако будьте осторожны и не повредите динамик. Решётку можно чистить мягкой щёткой.

Не используйте сабвуфер в качестве столика. При включении сабвуфера предметы, лежащие на нём, будут дребезжать. В особенности, избегайте ставить на сабвуфер вазы с цветами, стаканы с напитками и т.п., так как пролитая жидкость может вызвать повреждение аппарата. Если система долго не используется, отсоедините сабвуфер от электросети.

Примечание: В случае перегрузки сабвуфер автоматически прекратит работу. Если это произошло, сбросьте управляющие схемы сабвуфера, выключив и снова включив питание выключателем на задней панели.

Norsk

Tidsbegrenset garanti

Kjære kunde, velkommen til B&W

Dette produktet er designet og produsert under strenge kvalitetskrav. Skulle det likevel oppstå feil på det, tilbyr B&W Loudspeakers og våre internasjonale distributører garanti som dekker arbeidskostnader (unntak kan forekomme) og byttedeler ved reparasjon i alle land representert av en offisiell B&W distributør.

Denne tidsbegrensede garantien gjelder i en periode på fem år fra kjøpedato. For elektronikk og høyttalere med innebygget forsterker er denne garantien på to år.

Betingelser og vilkår

- 1 Garantien er begrenset til reparasjon av produktet. Hverken transport eller andre kostnader i anledning reparasjon vil bli dekket av garantien.
- 2 Garantien gjelder kun for produktets kjøper, og kan ikke overføres til andre.
- 3 Garantien gjelder kun for feil som er tilstede på produktet når det kjøpes, og dekker ikke følgende:
 - a skade som har oppstått ved installasjon, tilkobling og utpakking,
 - b skader som skyldes feilbruk, uaktsomhet, modifikasjon av produktet eller bruk av deler som ikke er godkjent av B&W,
 - c skader som skyldes bruk sammen med andre produkter som ikke passer,
 - d skader som skyldes ulykker, lyn, vann, brann, offentlige uroligheter eller andre forhold som er utenfor B&Ws kontroll,
 - e på produkter hvor serienummer er blitt forandret, slettet, fjernet eller blitt gjort uleselig,
 - f skader som skyldes service utført av personer som ikke er godkjent av B&W.
- 4 Denne garantien komplimenterer alle forhandlere og distributørers forpliktelser ved regionale/nasjonale lover, og påvirker ikke dine lovbestemte rettigheter som forbruker.

Hvordan kreve garantireparasjon

Hvis service skulle være nødvendig, vennligst følg denne prosedyren:

- 1 Hvis produktet brukes i samme land som det er kjøpt, kontakt forhandleren hvor produktet er kjøpt.
- 2 Hvis produktet brukes i et annet land enn det er kjøpt, kontakt den nasjonale B&W forhandler i landet du bor i. Her vil du få råd om hvor produktet ditt kan repareres. Du kan ta kontakt med B&W i England eller besøke vår hjemmeside for kontaktinformasjon om din lokale distributør.

For å bekrefte din garantirett, må denne garantifolderen fremvises utfyllt og med gyldig stempel fra forhandleren du kjøpte

produktet. Garantien vil også gjelde ved fremvisning av original salgsfaktura eller annet bevis på eierskap og kjøpedato.

Bruksanvisning

VIKTIG SIKKERHETS-INFORMASJON



CAUTION
RISK OF ELECTRIC SHOCK
DO NOT OPEN



Advarsel:

Prøv aldri å løse panelet bak på dette produktet da det kan forårsake elektrisk støt. Det finnes ingen skiftedeler bak panelet, og all reparasjon/inspeksjon må utføres av kvalifisert servicepersonell. Utsett aldri produktet for regn eller annen fuktighet.

Forklaring på grafiske symboler:



Symbolet med lyn i likesidet trekant gir advarsel om ikke-isolerte strømførende ledninger/komponenter med kraftig spenning som kan gi elektrisk støt.



Symbolet med utropstegn i likesidet trekant gir advarsel om at viktig betjeningsinformasjon eller serviceinformasjon bør leses opp og leses i den medfølgende bruksanvisningen.

SIKKERHETSINSTRUKSJONER:

- 1 Les instruksjonene – All sikkerhetsinformasjon og brukerveiledning bør leses før man tar dette produktet i bruk.
- 2 Ta vare på instruksjonene – Ta vare på sikkerhetsinformasjon og bruksanvisning for senere referanser.
- 3 Ta hensyn til advarsler – Alle advarsler – både på produktet og i medfølgende litteratur – må tas hensyn til.
- 4 Følg instruksjonene – Alle instruksjoner i bruksanvisningen bør følges.
- 5 Installasjon – Følg alltid produsentens instruksjoner når dette produktet installeres.
- 6 Strømtilkobling – Dette apparatet må kun kobles til strømnett med samme spenning som indikert på produktets bakpanel. Er du i tvil om disse korresponderer, ta kontakt med betjeningen i butikken hvor du har kjøpt det eller din lokale strømleverandør.
- 7 Jording – Dette produktet trengs ikke kobles til jordet stikkontakt. Sørg derimot for at støpselet er skikkelig festet i stikkontakten, slik at strømførende deler ikke kan berøres.

Ved bruk av skjøteledning eller annen ledning enn den som følger med produktet, må man sikre seg at den har riktig plugg som passer. Noen versjoner av dette produktet kommer med ledning hvor det i ene enden er et polarisert stopsel (pluggene er av forskjellig størrelse).

- 8 Strømledninger – Strømledninger må aldri legges slik at de kan tråkkes på, snubles i eller klemmes mellom bevegelige deler.
- 9 Overbelastning – Pass på at strømtaket som produktet er koblet til ikke blir overbelastet. Dette kan føre til kortslutning og/eller fare for brann.
- 10 Ventilasjon – Forsterkerdelen på baksiden av produktet er en del av kjølepanelet, og produktet må aldri plasseres slik at denne delen tar borti sofa, seng, stoler, teppe eller lignende flater. Det bør være minimum 5 cm mellomrom mellom produktets bakside og annen flate som vegg eller lignende. Hvis produktet monteres i vegg, rack, skap eller bokhylle må det sørges for skikkelig ventilasjon – enten ved å ha a) god avstand til flatene over, under og ved siden av produktet (minimum 15 mm) eller b) to luftkanaler med tverrsnitt på minimum 150 kvadrantcentimeter, som leder inn i hulrom bak og over produktet (hulrom må ha en størrelse på minimum 30x5 centimeter). Kjølepanelet må aldri dekkles til med klær, aviser eller lignende. Sørg for at produktet er plassert slik at kjøleribbene på baksiden står vertikalt. Dette gir maksimal bortføring av varme.
- 11 Varme – Produktet må plasseres i god avstand fra radiator, ovn, komfyr eller andre varmeproduserende enheter (inklusive forsterker). Ingen levende ild, som stearinlys o.l., må plasseres oppå apparatet.
- 12 Vegg eller takmontering – Hvis produktet skal monteres på vegg eller i tak må man følge produsentens anbefalinger for dette.
- 13 Vann og fuktighet – Ikke bruk dette produktet i nærheten av vann – for eksempel i nærheten av badekar, vask, utslagsvask, kjøkkenbenk, vaskemaskin, svømmebasseng eller i fuktig kjeller.
- 14 Fremmedlegemer og flytende væsker – Fremmedlegemer må aldri føres inn i åpninger/hull i produktet da dette kan føre til kortslutning, og dermed fare for elektrisk støt og/eller brann.
- 15 Rengjøring – Sørg alltid for at produktet er koblet fra strømmettet når det rengjøres. Kabinettet på produktet kan rengjøres ved å tørke med en tørr klut. Hvis du ønsker å bruke rengjøringsmiddel som spray, påfør aldri dette direkte på kabinettet – kun på kluten. Ta bort grillen på fronten av produktet slik at dette ikke får merke av vaskemiddel. Grillen kan rengjøres med en myk kost. Høyttalerenheten bak grillen må aldri rengjøres med annet enn en tørr klut, og da med stor

forsiktighet. Ellers kan det skades.

- 16 Tilkobling – Koble aldri til enheter som ikke er anbefalt av produsenten, da dette kan føre til fare for feilbruk eller skade.
- 17 Tilbehør – Plasser aldri produktet på ustabile vogner, bord, stativer, braketter eller lignende. Produktet kan falle ned og skade barn, voksne og dyr. Produktet kan også ta skade og slutte å fungere. Skal produktet plasseres på vogn, bord, stativ, brakett eller lignende må disse være godkjent av produsenten. Ved all montering må produsentens instruksjoner følges.
- 18 Flytting av produktet – Produkt med tilbehør må flyttes forsiktig. Hurtig stans, bruk av overdreven kraft og ujevne flater kan få produktet til å velte. Kontroller at det ikke er kabler under teppe som kan bli skadet av spikere på undersiden av produktet. Produktet må løftes under flytting da spiker kan gjøre skade på gulv eller løse. Spiker er skarpe – vær forsiktig så du ikke skader deg på dem.
- 19 Når ikke i bruk – Sørg for at produktet kobles fra strømmettet ved lyn/torden, eller i lengre perioder når det ikke er i bruk.
- 20 Teknisk service – Prøv aldri å gjennomføre teknisk service på dette produktet på egenhånd, da fjerning av paneler kan avdekke komponenter med mye/farlig strøm eller annen fare. All teknisk service på produktet skal gjøres av kvalifisert personell.
- 21 Når teknisk service er nødvendig – Koble produktet fra strømmettet og kontakt kvalifisert personell ved følgende tilfeller:
 - a Hvis strømledning eller strømplugg er skadet.
 - b Hvis det er sølt væske på produktet eller fremmedlegemer er kommet inn i det.
 - c Hvis produktet har vært utsatt for regn eller fuktighet.
 - d Hvis produktet ikke fungerer normalt, på tross av at instruksjonene i brukermanualen er fulgt. Bruk kun de justeringsmulighetene på produktet som er beskrevet i bruksanvisningen, da feil bruk av andre justeringer kan føre til feil på produktet og større reparasjoner av kvalifisert servicetekniker.
 - e Hvis produktet har falt i bakken eller er skadet på annen måte.
 - f Hvis det skjer en merkbar forandring i produktets prestasjoner som tilsier at service er nødvendig.
- 22 Servicedeler – Hvis det under service må byttes deler i produktet, sørg for at det blir brukt deler som er spesifisert av produsenten eller har tilsvarende karakteristikker/verdier som originaldelen. Bruk av uautoriserte

deler kan forårsake brann, elektrisk støt eller annen fare.



- 23 Sikringer – Det må alltid brukes sikringer av korrekt størrelse og verdi i produktet. Dette for å sikre mot overbelastning og brannfare. Den innebygde forsterkeren er laget for å brukes i strømsystemer fra 100 til 230 Volt, men med forskjellig sikring avhengig av spenning. Riktig sikringsstørrelse – avhengig av spenning – er angitt på produktets bakside.
- 24 Sikkerhetssjekk – Sørg alltid for at teknikeren gjennomfører en sikkerhetssjekk på produktet før det leveres tilbake etter service. Dette for å garantere at det fungerer som det skal.
- 25 Magnetfelt – Dette produktet har et magnetfelt rundt seg. Man bør derfor ikke plassere objekter som kan ta skade av dette (f.eks. TV med bilderør, dataskjermer, video-/ kassettbånd, kort med magnetstripe osv.) nærmere enn 50 cm fra produktet. Det kan oppstå forstyrrelser på TV/dataskjermer selv om de står plassert lengre fra enn denne avstanden.

Svenska

Begränsad garanti

Välkommen till B&W!

Denna produkt har tillverkats enligt högsta kvalitetsstandard. Om något mot förmodan skulle gå sönder garanterar B&W och dess återförsäljare att utan kostnad (vissa undantag finns) reparera och byta ut reservdelar i alla länder som har en officiell B&W-distributör.

Denna begränsade garanti gäller i fem år från inköpsdatum, och i två år för elektronikprodukter, inklusive högtalare med inbyggda förstärkare.

Villkor

- 1 Garantin gäller endast reparation. Varken transport- eller installationskostnader eller andra kostnader täcks av garantin.
- 2 Garantin gäller endast ursprungliga köparen och överförs inte om produkten säljs i andra hand.
- 3 Garantin täcker inga andra skador än reparation av felaktiga material eller komponenter eller felaktigt arbete utfört före inköpstillfället. Garantin täcker således inte:
 - a skador som uppstått vid felaktig installation eller uppackning,
 - b skador som uppstått vid annat bruk än det som uttryckligen beskrivs i instruktionsboken, till exempel försurmlighet, modifiering eller användande av delar som inte tillverkats eller godkänts av B&W,
 - c skador som uppstått på grund av kringutrustning,
 - d skador som uppstått på grund av blixtnedslag, eldsvåda, överspänning, krig, upplopp eller andra händelser som rimligtvis inte kan kontrolleras av B&W och dess distributörer,
 - e produkter som saknar eller har ändrade serienummer,
 - f produkter som reparerats eller modifierats av icke-godkänd person.
- 4 Denna garanti är ett komplement till nationella lagar och bestämmelser och påverkar inte kundens lagliga rättigheter och skyldigheter.

Så använder du garantin

Gör så här om du behöver använda dig av garantin:

- 1 Om produkten används i inköpslandet kontaktar du den auktoriserade B&W-handlaren som du köpte produkten av.
- 2 Om produkten används i ett annat land kontaktar du den nationella distributören som kan ge dig instruktioner om var du kan få produkten reparerad. Om du vill ha information om vem distributören är kan du ringa till B&W i Storbritannien eller besöka vår hemsida.

För att garantin skall gälla behöver du visa upp detta häfte, ifyllt och stämplat av din handlare vid köptillfället. Faktura eller annat

ägarbevis med information om inköpstillfället kan också behövas.

Bruksanvisning

VIKTIGA SÄKERHETS-INSTRUKTIONER



CAUTION
RISK OF ELECTRIC SHOCK
DO NOT OPEN



Varning:

Ta ej bort bakpanelen eller utsätt apparaten för regn eller fukt eftersom det finns risk för elstöt. Det finns inga delar som kan lagas av användare på insidan. Överlåt all service åt kvalificerade tekniker.

Förklaring av symboler:



Symbolen med en blix i en liksidig triangel är avsedd som varning för att icke-jordad spänning förekommer inuti produkten. Denna är tillräckligt kraftig för att kunna orsaka skador.



Symbolen med ett utropstecken inuti en liksidig triangel är avsedd för att hänvisa till viktiga instruktioner i bruksanvisningen som medföljer produkten.

VARNINGAR:

- 1 Läs instruktionerna – Läs alla föreskrifter om säkerhet och handhavande noggrant innan du använder apparaten.
- 2 Behåll instruktionerna – Behåll föreskrifter om säkerhet och handhavande så att du kan läsa mer vid ett senare tillfälle.
- 3 Följ föreskrifterna – Följ alltid alla säkerhets- och handhavandeföreskrifter.
- 4 Följ instruktionerna – Följ alltid alla instruktioner om hur apparaten fungerar.
- 5 Installation – Följ tillverkarens instruktioner när du installerar produkten.
- 6 Elnät – Produkten ska endast användas i ett elnät som motsvarar det som är utmärkt på baksidan av apparaten. Om du inte är säker på vilket elsystem som används där du bor, tala med din handlare eller ditt elbolag.
- 7 Jordning – Apparaten behöver inte jordas. Se till att stickkontakten är noggrant ansluten i stickkontakten eller förlängningsladdan. Om du använder en annan strömladd än den som medföljer produkten måste du se till att den följer de säkerhetsföreskrifter som råder i det land där du bor.
- 8 Skydd av strömladd – Alla strömladdar ska dras så att ingen kan trampa på dem eller att de riskeras att utsättas för slitage, till exempel genom att tunga föremål placeras på dem. Detta gäller särskilt kontaktdelarna.
- 9 Överbelastning – Överbelasta inte vägguttag eller förlängningsladdar för att undvika eldrisk och elektriska stötar.
- 10 Ventilation – Förstärkarpanelen på baksidan av apparaten är en del av avkylningsdelen och får inte övers över till exempel en duk eller lösa föremål som tändningar. Undvik att placera apparaten ovanpå eller strax intill till exempel en säng, en mjuk matta eller soffa. Kyllfyllsarna ska vara placerade lodrätt för att de ska fungera riktigt. Det bör finnas ett avstånd på minst 5 cm mellan apparatens baksida och närliggande vägg. Om apparaten placeras inuti till exempel ett skåp eller i en hylla måste hänsyn tas för att luft kan cirkulera omkring den, antingen med a) ett avstånd på 1,5 cm mellan sidorna, ovan- och baksidan så att luften i rummet kan ledas in, eller b) 2 stycken luftkanaler på vardera 150 kvadrantimeter (springor som är 30x5 centimeter stora ovanför och under apparaten) som leder till utrymme bakom apparaten.
- 11 Värme – Apparaten ska placeras långt ifrån värmeållor, som till exempel spisar, värmeelement och andra apparater (inklusive förstärkare) som alstrar värme. Apparaten får inte heller utsättas för brinnande föremål som till exempel levande ljus.
- 12 Vagg- eller takmontering – Produkten kan endast monteras på vägg eller i tak om tillverkarens instruktioner följs.
- 13 Vatten och vätskor – Använd inte produkten i närheten av vatten eller i en fuktig miljö, till exempel nära ett badkar eller handfat, i en fuktig köllare eller utomhus.
- 14 Främmande föremål – Inga främmande föremål får stoppas in i apparatens öppningar, eftersom de kan orsaka kortslutning och/eller medföra brandfara. Var också mycket noga att aldrig spilla vätska på apparaten.
- 15 Rengöring – Dra alltid ut elsladden ut vägguttaget när du rengör apparaten. Högtalarens kabinett kan torkas av med en torr trasa. Spraya aldrig rengöringsmedel direkt på kabinettet, använd istället en trasa. Ta först bort frontskyddet, så att inte tyget fläckas, men var aktsam så att inte baselamentet skadas. Frontskyddet kan dammas av med en mjuk borste.
- 16 Anslutningar – Använd inga andra anslutningar än de som rekommenderas av produktens tillverkare, eftersom dessa kan medföra risker.
- 17 Tillbehör – Placera inte denna produkt på ett ostadigt stativ, bord eller en ostadig hylla. Apparaten kan ramlar ner och orsaka allvariga skador på både vuxna och barn, och dessutom skada produkten i sig. Den bör endast

användas tillsammans med möbler och stativ som rekommenderas av tillverkaren eller försäljningsstället. All montering av produkten ska ske enligt tillverkarens instruktioner, och endast med de tillbehör som rekommenderas av tillverkaren.

- 18 Flyttning av produkten – När du flyttar produkten ska du vara aktsam. Hastiga stopp eller ryck kan orsaka att produkten vältnen. Se också till att inga kablar skadas av produktens spikes. Vagga



inte produkten fram och tillbaka eftersom de spikes som är fästa på undersidan då kan lossna eller skada golvet. Akta också fötterna så att du inte skadas.

- 19 Långa perioder utan användning – Dra ut strömsladden under åskväder eller om apparaten inte ska användas under en lång tid.
- 20 Service – Försök inte själv att åtgärda fel på produkten. Om du öppnar den utsätter du dig för risk för kraftiga elstötar och andra faror. All service ska utföras av kvalificerade tekniker.
- 21 Skador som kräver service – Koppla ut strömsladden ur vägguttaget och överlåt service åt kvalificerade tekniker under följande omständigheter:
- När strömsladden eller kontakten är skadad.
 - Om du har spillt vätska i eller ett föremål har ramlat ner i apparaten.
 - Om apparaten utsatts för regn eller vatten.
 - Om inte apparaten fungerar som den ska. Justera endast de kontroller som beskrivs i instruktionsboken, om du gör andra förändringar kan du skada produkten så allvarligt att endast en större och mer omfattande reparation blir nödvändig.
 - Om du har tappat produkten eller om den skadats allvarligt på annat sätt.
 - Om produkten fungerar på ett sätt som skiljer sig avsevärt från det normala.
- 22 Reservdelar – När reservdelar behöver monteras måste de vara av exakt samma typ eller ha samma egenskaper som originaldelarna. Andra komponenter kan orsaka brand, risk för elstötar eller försämrade egenskaper.



- 23 Elsäkringar – Använd alltid säkringar av rätt storlek och typ. Förstärkaren är konstruerad för att kunna användas i vägguttag med växelspanning mellan 100 och 240 volt, men beroende på elsystem används olika säkringar. Apparaten är märkt med vilken säkring som skall användas, beroende på spänningkälla.

- 24 Säkerhetskontroll – Efter varje reparation eller service ska tekniker utföra en säkerhetskontroll av apparaten, för att försäkra sig om att apparaten fungerar på ett riktigt sätt.
- 25 Magnetfält. Produkten skapar ett magnetiskt fält som omger den. Placera inga föremål som kan skadas av det i detta magnetfält. Detta gäller till exempel TV-apparater och datorskärmar, kreditkort och videokassetter. Magnetfältet sträcker sig cirka 0,5 meter, men känsliga TV-apparater kan påverkas även längre ifrån apparaten.

Suomi

Takuuehdot

Tervetuloa B&W:n pariin.

Tämä tuote on valmistettu noudattaen korkealuokkaisia laatustandardreja, jos kuitenkin jotain vikaa ilmenee B&W:n tehdas ja virallinen jälleenmyyjä ovat valmiita huoltamaan tuotteen.

Takuu on voimassa 5 vuotta ostopäivästä lähtien. Kaiuttimien vahvistimien elektroniikalla on kahden vuoden takuu.

Takuuehdot

- Takuu kattaa tuotteen korjauksen. Takuu ei vastaa kuljetuksista tai muista kuluista, eikä kuljetuksesta johtuvista vaurioista.
- Takuu on voimassa ainoastaan tuotteen alkuperäisellä ensiostajalla.
- Takuu vastaa viallisista materiaaleista ja työstä takuuajan puitteissa, mutta ei vastaa:
 - Jos tuote on huolimattomasti pakattu tai väärin kytketty.
 - Takuu ei vastaa jos tuotteen ohjeita ei ole noudatettu, tuotetta on muuteltu, huolimattomasti käytetty tai tuotteeseen on asennettu muita kuin B&W:n valmistamia osia.
 - Takuu ei vastaa jos on käytetty virheellisiä, sopimattomia osia.
 - Takuu ei kata onnettomuuksista, salamista, vesivahingoista, tulipaloista, sodista, säistä tai muista ulkoisista seikoista johtuneista vaurioista, mihin B&W tai tuotteen jälleenmyyjä ei pysty vaikuttamaan.
 - Takuu ei vastaa tuotteesta, jos sarjanumeroa on muuteltu tai poistettu.
 - Takuu ei vastaa jos huoltoa on suorittanut joku muu kuin virallisen jälleenmyyjän huolto.
- Tämä takuu täydentää kansallisia/alueellisia jälleenmyyjän lainvelvollisuuksia eikä vaikuta sinun perusoikeuksiisi asiakkaana.

Kuinka toimia jos tuote tarvitsee takuuhuoltoa

Jos tuotteesi tarvitsee takuuhuoltoa toimi seuraavasti:

- Jos laite on käytössä maassa josta tuote on ostettu, ota yhteyttä B&W:n viralliseen jälleenmyyjään, liikkeeseen mistä olet laitteen ostanut.
- Jos laite on käytössä muualla kuin maassa mistä tuote on ostettu, ota yhteyttä B&W:n paikalliseen viralliseen jälleenmyyjään, josta saat neuvoa missä saat laitteesi huollettua. Voit myös soittaa B&W:lle Englantiin tai käydä tutustumassa B&W:n internetsivulla saadaksesi selville olinpaikkasi virallisen jälleenmyyjän.

Saadaksesi takuuhuoltoa tulee sinun täyttää tämä takuukirja ja saada jälleenmyyjältäsi ostopäivästä leima. Vaihtoehtoisesti

tarvitset jälleenmyyjältä saamasi alkuperäisen ostodokumentin tai kuitin, mistä ilmenee ostopäivä.

Omistajan kasikirja

TÄRKEITÄ TURVALLISUUS- NEUVOJA



Varo:

Pientenäköksesi sähköiskuvaaraa älä avaa laitetta äläkä altista sähköisiä komponentteja sateelle tai kosteudelle. Laite ei sisällä käyttäjän huollettavia osia. Jätä huoltotoimenpiteet maahan tuojan valtuuttamalle huoltoliikkeelle.

Graafisten merkkien selitykset:



"Salama mustassa kolmiossa on tarkoitettu varoitamaan, että tuote sisältää suojaamatonta virtaa joka on riittävä aiheuttamaan tuntuvia/ vaarallisia sähköiskuja.



Huutomerkki mustassa kolmiossa on tarkoitettu huomioimaan, että käyttöön ja huoltoon liittyvissä toimenpiteissä on tärkeätä toimia ohjeiden mukaisesti.

VAROITUKSIA:

- 1 Lue käyttöohjeet – Kaikki turvallisuus- ja käyttöohjeet tulee lukea ennen laitteen käyttöönottamista.
- 2 Noudata ohjeita – Ohjeita tulee noudattaa myös jatkossa.
- 3 Kunnioita varoituksia – Kaikki varoitukset ovat tarkoituksenmukaisia.
- 4 Toimi ohjeiden mukaan – Kaikkia ohjeita tulee noudattaa.
- 5 Asennus – Tee laitteen asennus noudattaen valmistajan ohjeita.
- 6 Virtalähde – Tätä laitetta tulee käyttää ainoastaan takapaneeliin merkittyjen vaatimusten mukaisesti. Jos et ole varma, keskustele laite myyjäisi tai sähköyhtiösi kanssa.
- 7 Maadoitus – Laitetta ei tarvitse erikseen maadoittaa. Varmista että pistoke on kunnolla (pohjassa) pistorasiassa tai asianmukaisessa jatkokohdossa. Jotkut tuoteversiot on varustettu virtajohtodolla jossa toinen kosketin on leveämpi kuin toinen. Tällainen pistoke sopii seinäpistokkeeseen vain oikein päin. Tämä on turvallisuustekijä. Vältä koskemasta pistokkeen metallisiin osiin. (Ei Suomen mallissa).
- 8 Virtajohtojen suojaaminen – Virtajohto pitää sijoittaa niin että se ei jää puristuksiin tai laitteen jalkojen alle.

Huomioi etenkin liitoskohdat.

- 9 Ylikuormittaminen – Älä ylikuormita seinäpistorasioita, jatkojohtoja tai laitteiden omia virtalostuloja. Ylikuormittaminen voi johtaa tulipaloon tai sähköiskuihin/ -katkoihin.
- 10 Ilmanvaihto – Vahvistimen takapaneeli on osa laitteen jäähdytyspinta-alaa, ja on huolehdittava siitä että laitetta ei sijoiteta sängyn, sohvän, peiton tai muiden tämän kaltaisten peitinten päälle. Älä peitä vahvistinpaneelia esim. pöytäliinalla, sanomalehdellä jne. Varmista että jäähdytyslamelli ovat symmetrisesti suorassa. Laitteen ja seinän / pinnan välissä tulee olla vähintään 50mm väli. Jos laite sijoitetaan kaappiin tai muuhun suljettuun tilaan, on huolehdittava riittävästä ilmankierrosta joko jättämällä vähintään 12mm väli laitteen ja sitä ympäröivän kaapin väliin.
- 11 Lämpö – Laite tulee sijoittaa etäälle muista lämpölähteistä, kuten patterit, puhaltimek, hellat, takat tai toiset lämpöä tuottavat laitteet (kuten vahvistimet). Avotulla, kuten syytetyttä kynttilää, ei saa laittaa laitteen päälle.
- 12 Seinä/kattokiinnitys – Laite voidaan kiinnittää seinälle tai kattoon vain valmistajan suosittelemalla tavalla.
- 13 Vesi/kosteus – Älä käytä laitteistoja vesilähteiden lähellä, äläkä kosteissa tiloissa.
- 14 Esiineen tai nesteen joutuminen laitteeseen – Älä koskaan työnnä mitään laitteen sisälle, sillä ne voivat oikosulkea tai osua virtapisteyksiin joista voi syntyä tulipalo tai sähköiskuja. Älä myöskään kaada minkäänlaista nestettä laitteen päälle tai sisään.
- 15 Puhdistaminen – Ennen puhdistamista ota pistoke irti virtalähteestä. Laitteen pinta voidaan puhdistaa pölystä käyttämällä pehmeää, kuivaa liinaa tms. Jos käytät puhdistus- sprayta, älä suihkuta suoraan laitteen pintaan; suihkuta puhdistusliinaan. Irrota ensin etumaski laitteesta mutta varo vahingoittamasta elementtiä. Etumaski voidaan puhdistaa käyttämällä pehmeää harjaa.
- 16 Yhteen liittäminen – Älä liitä yhteen tuotteita jotka eivät ole valmistajan suosittelemia, siitä voi seurata vahinkoja.
- 17 Lisävarusteet – Älä sijoita tuotetta huteralle alustalle, sillä pudotessaan se saattaa vahingoittaa jotakuta sekä rikkoutua. Käytä ainoastaan valmistajan suosittelemia tai jälleenmyyjän myymiä laitelaineita. Laitteen asennus tulee noudattaa valmistajan ohjeita noudattaen, sekä käyttää suositeltuja asennusvälineitä.
- 18 Siirtäminen – Laitetta ja pakkauslaatikkoa tulee liikutella varovasti. Nopeat heilautukset ja tarpeeton voimankäyttö epätasaisella alustalla voivat aiheuttaa laitteen kaatumisen ympäri. Tarkista ettei



laitteen alla ole johtoja jotka voivat vahingoittaa laitteen lattiapiekeistä. Älä siirrä laitetta alustalla sitä nostamatta, tämä voi aiheuttaa sen lattiapiekkien irtoamisen kotelosta ja näin ollen laitteen vaurioitumisen. Varo ettei vahingoita itseäsi terävillä lattiapiekeillä.

- 19 Käyttämättömyys – Laitteen virtajohto tulee irrottaa ukonilman ajaksi. Pidempiaikaisen käyttämättömyyden ajaksi tulee laitteen virtajohto irrottaa.
- 20 Huolto – Älä yritä huoltaa laitetta itse, sillä laitteen avaaminen saattaa altistaa sinut vaaralliselle sähkövirralle tai toisille vaaroille. Jätä kaikki huoltotoimenpiteet valtuutetuille huoltoliikkeille. Laitteen avaaminen itse on myöskin takuun mitätöinti peruste.
- 21 Huoltoa vaativat vahingot – Seuravissa tapauksissa laite pitää irrottaa virtalähteestä ja toimittaa valtuutetuille huoltoliikkeelle:

- a Jos virtajohto tai pistoke on vahingoittunut.
- b Jos laitteeseen on valunut nestettä.
- c Jos laite on kastunut.
- d Jos laite ei toimi normaalisti toimiessa, ohjeiden mukaisesti. Säädä vain niitä säätimiä jotka mainitaan käyttöohjeessa, sillä toisten säätimien asiaton säätäminen voi aiheuttaa kattavia vahinkoja, joiden korjaaminen/ palauttaminen normaalitilaan lisäävät tuntuvasti huoltotoimenpiteitä.
- e Jos laite on tippunut tai jotenkin muuten vahingoittunut.
- f Jos laitteen suorituskyky selvästi muuttuu, on se merkki huollon tarpeesta.

- 22 Varaosat – Jos vaihto-osia tarvitaan, varmista että käytetään valmistajan määräämiä alkuperäisiä varaosia tai osia jotka vastaavat alkuperäisten ominaisuuksia. Asiatuomat korvikkeet voivat aiheuttaa tulipalon, sähköiskuja tai muita vaaroja.



- 23 Sulakkeet – Käytä vain oikeanlaisia sulakkeita. Laite on suunniteltu toimimaan normaali sähkötarvikkeiden kanssa jännitteellä 100V ja 230V AC välillä. Jännitteestä riippuen käytetään erilaisia sulakevahvuuksia. Oikeanlainen sulaketyyppi jokaiselle jännitteelle on merkitty tuotteeseen.
- 24 Koekäyttö – Laitteen huollon jälkeen/ yhteydessä, muista pyytää että valmis laite koekäytetään/turvallisuus varmistetaan, jotta voit olla varma että laite on asianmukaisessa toimintakunnossa.
- 25 Magneettikenttä – Laite tuottaa magneettikentän, jonka välittömään läheisyyteen ei pidä laittaa mitään joka voi vahingoittua/ häiriintyä. Tällaisia ovat esimerkiksi video-, kasettinauhau,

pankki-/luottokortit, televisiot, monitorit, yms. magneettiset kojeet ja tallenteet. Häiriökentän vaikutus on noin 0,5m, (kuvaputki-) televisiot saattavat ottaa häiriöitä kauempaakin.

日本語

保証期間

お客様各位

B&W 製品をお買い上げいただき、ありがとうございます。

当社製品は最高の品質水準で設計・製造されておりですが、万が一製品に不備のある場合は、B&W 公認販売店のあるいかなる国においても、B&W Loudspeakers およびその各国販売店が無料で修理(例外もあり) および部品交換をいたします。

この有限保証は、購入の日から5年間またはアンプスピーカーを含む電子機器の場合には2年間有効となります。

保証条件：

- 保証範囲は、製品修理に限定されます。交通費、その他の費用、また製品の取り外し、移動、設置に起因する故障の危険は当保証の対象外となっています。
- 当保証は、製品購入時に不良部品およびまたは製造上の欠陥があった場合にのみ適用されます。以下の項目は適用外となりますのでご了承ください。
 - 不適切な設置、接続、包装によって生じた損傷。
 - 取扱説明書に記載された正しい使用方法以外の使い方、本人の過失、改造、またB&W製またはその認定する以外の部品を使用したことによって生じた損傷。
 - 不良または不適切な付属器具によって生じた損傷。
 - 事故、雷、水害、火災、熱、戦争、争乱、またB&W およびその公認販売店の常勤的管理の範囲を超えた不可抗力による損傷。
 - 製造番号が修正、削除、取り外し、また故意に判読不明にされた製品。
 - 認定外の者による修理、改造が行われた場合。
- 当保証は、各国/地方行政の定める代理店または各国販売店に課された義務を補足するものであり、消費者としての法定権利には影響しません。

取扱説明書

安全上のご注意



CAUTION
RISK OF ELECTRIC SHOCK
DO NOT OPEN



警告：

感電防止のため、キャビネットを開けたりリアパネルからアンプを取り外したりしないでください。また雨のかかる場所や湿気の高い場所には置かないでください。万一故障した場合には、最寄のサービスセンター/営業所または、お買上げの販売店に修理をご依頼ください。

絵表示の説明：



この表示は、本機のキャビネットの内部に感電の危険がある高電圧があることを示しています。



この表示は、使用中もしくは保守(または修理)する上で重要な説明が書かれていることを示しています。

注意：

- 説明書をお読みくださいー 本機をご使用になる前に、この取扱説明書と本体および添付した「安全上のご注意」に書かれている警告および注意をよくお読みください。
- 説明書は保存してくださいー この取扱説明書と添付した「安全上のご注意」は、必要に応じて参照できるようなわかりやすい場所に保管しておいてください。
- 注意事項を守ってくださいー 本体および「安全上のご注意」に記載された注意は必ず守ってください。
- 説明書に従ってくださいー 取扱説明書の説明に従い正しくお使いください。
- 設置ー 本機を設置する際は、この取扱説明書と「安全上のご注意」に記載された内容を守ってください。
- 電源ー 本機はリアパネルに表示された電源でのみご使用ください。海外への引越などでお使いになる地域の電源の規格がおわかりにならない場合は、最寄りのB&W販売店またはその地域の電力会社にお尋ねください。
- アースと極性ー 本機をご使用になる際のアースを取る必要はありません。電源プラグはコンセントやテールタップの差し込み口に根元まで差し込み、プラグの電極部が露出しないようにしてください。地域によっては電源プラグに極性があります。(プラグの金具の片方が広がっています) この種のプラグは、安全のため差し込み口に入る方向が決まっています。もし差し込み口に根元まで入らないことがありましたら、プラグを反対側にてみてください。差し込み口が古い規格のものでその地域の最新のプラグが入らない場合は、地域の電気工事に交換を依頼してください。延長コードや付属の電源コード以外のコードをお使いになる場合は、お使いになる地域の安全規格に適合した一体型の(分解できないもの)をお使いください。
- 電源コードの保護ー 電源コードの上に乗りたり、他のものでコードに傷をつけることがないよう配線方法に注意してください。特にコードが本体や壁のコンセント・テールタップなどに差し込まれるところに注意してください。
- 過電流ー 火災や感電を避けるため、コンセントやテールタップの定格電流を超えないように注意してお使いください。
- 通気ー リアパネルの表面は本機の放熱機構の一部です。本機をベッド・ソファー・毛布など柔らかい物の上に置いて放熱を妨げないようにしてください。テールクロスや新聞紙などでリアパネルを覆わないでください。確実に放熱させるため、後面の放熱版のフィンが隙になるように設置してください。本機の背面から壁または家具の側面などまでの間隔は5cm以上空けてください。ラック・本機・キャビネットなどに作り付けて設置する場合は、放熱のため十分に空気が循環するよう以下の(a)・(b)いずれかの条件を守ってください。
 - 収納スペースに入れたとき本機の上部・両側面・底面に12mm以上の隙間があること。
 - 本機を取り付ける家具などに、本機の背面の隙間の真上と真下になるように幅30cm・奥行き5cmの放熱孔を設け、本機を収納す

るスペースと放熱孔の間は断面積 150 平方センチメートル以上のダクトでつながっていること。

11 熱 - 本機をストーブやエアコンの吹き出し口、他のアンプなど熱を出す機器の近くに置かないでください。またろうそくなど炎が発生するものを本機の上に乗らないでください。

12 壁または天井への取り付け - B&W が推奨する場合以外は壁や天井に取り付けしないでください。

13 水と湿気 - 火災や感電を避けるため、雨のかかる場所や湿気が多い場所には置かないでください。また洗し台や洗濯機の近くなど水を扱うところで使用しないでください。地下室でお使いになる場合は壁や天井からの水漏れにもご注意ください。

14 異物や液体 - 本機の開口部や隙間から異物を挿入しないでください。電圧が高い部分に触れたり内部の部品をショートさせて感電や火災の原因になることがあります。また水やその他の液体を落とすと同様の危険がありますので、本機の上には花瓶など液体が入ったものを置かないでください。

15 お手入れ - 本機のキャビネットをお掃除される場合には、安全のため電源コードを抜いてください。キャビネットは乾いた布で埃を払う程度でよいになります。スプレー式のクリーナーをお使いになる場合は、キャビネットに直接スプレーしないで布にスプレーしてください。まずグリルを外してグリルの布が汚れないようにしてください。グリルを外している間はドライブ・ユニットに触れないように気を付けてください。グリルは柔らかいブラシで清掃してください。

16 付属品 - 危険防止のため B&W が推奨している以外の付属品を併用しないでください。

17 スタンドなど - 本機を不安定なキャスター・スタンド・三脚・金具・テーブルなどで設置しないでください。本機が落下すると怪我をしたり本機が壊れて修理不能になる場合があります。これらのものをお使いになる場合は、オプションとして発売されているものまたは B&W が推奨しているものをお使いください。どのような場合にも、設置に際しては B&W 推奨のアクセサリを用いて、B&W または代理店の指示に従ってください。

18 移動 - 本機を台車に乗せて運ぶ際には、急に止まったり無理な力をかけたり、また段差を超えたりすると台車ごと倒れる場合がありますので注意してください。本機を設置する際、ケーブルの下に他のケーブルが通っていないことを確認してください。本機のスパイク脚がケーブルを傷つけるおそれがあります。本機にスパイクを付けて引きずったりしないでください。スパイク脚に無理な力を加けると脚が本体から外れてキャビネットを傷つけることがあります。本機を移動する際にはスパイク脚で怪我をしないよう十分にご注意ください。



19 長期間使わない場合 - 雷が鳴っているときやシステムを長期間使用しない場合は、本機を電源から抜いてください。

20 修理 - 本機をお客様ご自身で修理しようとされないでください。カバーを開けると感電のおそれがあります。点検・調整・修理など是最寄のサービスセンター/営業所または、お買上げの販売店にご依頼ください。

21 修理が必要な損傷 - 次のような場合には電源コードを抜いて最寄のサービスセンター/

営業所または、お買上げの販売店にご相談ください。

- a 電源コードやプラグが傷ついたとき。
- b 飲み物やその他の液体がこぼれたり異物が中に入ったとき。
- c 雨に濡れたり水がかかったとき。
- d 説明書に記載された通りの操作をして正しく動作しないとき。
説明書に記載されているスイッチやつまみだけを操作してください。それ以外の部分で誤った調整をされると故障の原因になります。またサービスマンが元の状態に戻すのに非常に時間がかかります。
- e 本機を落下したとき、またはそれ以外の理由で損傷したとき。
- f 本機の性能に明らかに変化が認められたとき。→多くの場合修理の必要があることを示しています。

万一の事故を防ぐため、本機を電源コンセントの近くに置き、すぐにコンセントからプラグを抜けるようにしてご使用ください。

22 交換部品 - 部品の交換が必要な場合は、B&W 指定の交換部品または同等品を使うため弊社サービスマンにご依頼ください。指定以外の部品を使うと火災・感電やその他の危険を招きます。



23 ヒューズ - 火災防止のため指定された定格のヒューズをご使用ください。本機のアンプ部は 100V から 230V までの交流電源で使用できるよう設計されていますが、電源電圧によって適合するヒューズ定格は異なります。それぞれの電源電圧に適合するヒューズ定格は本体に表示されています。

24 安全点検 - どのような場合でも調整・修理をした後は、サービスマンに安全点検を依頼して、本機が正しく動作することをお確かめください。

25 磁界 - 本機の周囲には磁界が発生します。磁界に反応しやすい物品(テレビやコンピューターのモニター、フロッピー・ディスク、オーディオ/ビデオ・テープ、キャッシュ・カード類など)は、スピーカーから少なくとも 0.5 メートルは遠ざけておいてください。本機はブラウン管式テレビに近付けると画面を歪ませることがあります。

はじめに

B&W ASW シリーズ アクティブ・サブウーファーをお買い上げいただき、ありがとうございます。

1966 年の創業以来 B&W が持ち続けている哲学は、完璧な音の再現を追求することです。弊社の創始者である故ジョン・ハワード氏の影響により、この探求はオーディオ技術や革新への大きな投資だけでなく、音楽への変わることのない感謝とより良い映画音響への欲求を持ち続けることによって、こうした技術から最大の効果を引き出ししてきました。

このサブウーファーは、ホーム・シアターシステム用に、また、2 チャンネル・オーディオにおける「フルレンジ」スピーカーの低音性能を向上させるよう設計されています。サブウーファーをお客様のシステムに加えることによって、低音の再生周波数帯域を拡げるだけでなく、今のスピー

カーの低音再生周波数帯域を制限することによって、中音域の明瞭さを向上させることもできます。

このサブウーファーをご使用になる前に、この取扱説明書をよくお読みください。本製品の性能を最大限にお楽しみいただくには、音響システムに関するプランと試験が必要となります。この取扱説明書はこうした過程においてお客様の手引きとなります。

サブウーファーは交流電源に接続されますので、安全上の注意を熟知し、すべての警告に従っていただくことが重要となります。

この取扱説明書は、今後の参照のために大切に保管しておいてください。

B&W スピーカーは全世界 60 ヶ国以上の国々に出荷されています。また私たちに、慎重に選択された独自の輸入代理店の国際的ネットワークがあります。お買上げ販売店で解決できない問題がありましたら、弊社営業所が喜んでお客様のお手伝いをさせていただきます。

開梱

(図 1)

破損を避ける最も簡単なサブウーファーの開梱方法は、以下のとおりです。

- 箱を開けフラップをいっぱい開いて、箱を中身ごと逆さまにします。
- 箱を持ち上げて製品から取り除きます。

箱の梱包材は、今後の使用のために保管しておくことをお奨めします。

箱の中には、この取扱説明書の他に以下のものが入っています。

サブウーファー本体 1 台

付属品バック 1 個

この中には以下のものが入っています。

- ゴム脚 4 個
- スパイク脚 4 個
- ロックナット 4 個

保証書 1 部

サブウーファーの構成

(図 2)

- 1 パワー/スタンバイ・インジケーター
- 2 ボリューム・コントロール
- 3 ローパス周波数コントロール
- 4 モード・オン/オート/スタンバイ・スイッチ
- 5 イコライザー・スイッチ
- 6 ローパス・フィルター・ディフェルトスイッチ
- 7 フェイズ・スイッチ
- 8 ライン・イン端子
- 9 ライン・アウト端子
- 10 リンク・ファクト端子
- 11 パワー・オン/オフ・スイッチ
- 12 ヒューズ・ホルダー
- 13 電源コード接続端子

サブウーファーの設置

サブウーファーは低い周波数の音だけを出すので、フルレンジスピーカーと比べると、配置については、いくつかの点においてあまり重要ではありません。指向性に関する情報はさして正確なものではないので、大きな効果を出すためのスピーカーの設置場所については、より多くの選択が可

能です。サブウーファーをサテライト・スピーカーの間に、あるいは、2つのうち1つのサテライト・スピーカーの近くに置くこと最大の効果が得られるとされています。もしサブウーファーを2台ご使用でしたら、それぞれをサテライト・スピーカーの近くに置いていただくのが最も良い方法です。

サブウーファーをリスナーの背後に置くと、サラウンド音響システムの場合でも、一般的にはあまりよい効果は得られませんが、家庭内の事情によっては妥協策とはなります。

あらゆるスピーカーについて言えることですが、部屋のコーナー付近は音に影響を与えます。スピーカー付近の壁面が多いほど低音は一般的に大きくなります。しかし、フルレンジスピーカーとは違って、サブウーファーのボリューム・レベルを調節することで、常にシステム全体の正しいバランスをとることができます。部屋からより多くの音響反射が得られるほど、スピーカーのしなげはならぬい仕事は減るわけです。しかし、欠点もあります。コーナーにスピーカーを置くと、低い周波数で、より大きな部屋共鳴が起こり、低音の周波数特性にばれが出やすくなります。部屋はすべて様々に異なるので、正確には試験してみよう方法はあります。従いまして、最終的な位置を決める前にサブウーファーをいろいろな場所に置いてみてください。低音域の音階が上がったり下がったりするような曲は、低音のレスポンスのスムーズさを評価するのに役に立ちます。大きな音や小さな音をよく聴いてください。もう1台サブウーファーがあると、サテライト・スピーカーの配置とは別に、最高のイメージを得られる部屋共鳴を最適に利用することができます。

サブウーファーを開封された場所（例えばオーディオメイトの家具内で）を使用する場合は、十分な空気が循環するように、本体を冷却できるようにしてください。詳しくは販売店に相談してください。

サブウーファーには4つのスパイク脚があります。スパイクはカーペットのバイルを突き抜け、バイルを押しつぶさずに、サブウーファーを直接床表面にしっかりと安定させることができます。

ウッドフローリングの床などの傷つきやすい面に本体を置く場合は、各々のスパイクの下に保護受けを置くか、あるいは、スパイクの代わりに4つのゴム脚を付けるかのいずれかを行ってください。

ゴム脚あるいはスパイク脚を取り付けるときは、取り付けナットを回して足のネジ部が最大に出るようにしてください。次に、脚を回して、キャビネット基部の穴の開いた挿入口にしっかりと取り付けてください。本体が揺れる場合は、原因となる2つの対面する脚を安定するまで緩めてください。それから取り付けナットを挿入口にもう一度締め付け直してください。

本機を設置する際、カーペットの下に他のケーブルが通っていないことを確認してください。本機のスパイク脚がケーブルを傷ついたりおそれがあります。

本機にスパイクを付けて引きずったりしないでください。スパイク脚に無理な力を掛けると脚が本体から外れてキャビネットを傷つけることがあります。

本機を移動する際にはスパイク脚で怪我をしないよう十分にご注意ください。

電気接続

信号接続がなされチェックされるまでは、すべての音響システム機器を電源をオフにしておいてください。これによって、接続をしている間あるいは接続を解除している間の破損の危険性を避けることができます。

サブウーファーの機能は、アンプから信号を受け、

2チャンネル・オーディオであれば、その信号を低音周波数と高音周波数に分け、中高音周波数域をサテライト・スピーカーに戻すことです。L、Rの2チャンネル入力は、必要であれば、サブウーファー・ドライブユニットの単一のモノラル・ローパス・フィルターにまとめることもできます。

サブウーファーは、後部パネルにあるRCAピッチジャックを通してラインレベル信号を入出力します。

以下の表を用いて、お客様のシステムに相応しい正しい配線方法を選択してください。

用途：ホーム・シアター

このサブウーファーは、ラインレベル・サブウーファー出力（通常は専用RCA端子から出ています）のある、どんなデコーダーとも使用することができます。AVアンプのほとんどのデコーダーは、サブウーファーあるいは低周波効果（LFE）信号をラインレベルで出力することができます。

- デコーダーに1つまたはそれ以上のサブウーファーを接続する場合：図3

用途：2チャンネル・オーディオ

セパレート・プリアンプおよびパワーアンプ

- a Lch と Rch の信号をひとつまとめて1つまたはそれ以上のサブウーファーに接続する場合：接続：図4

- b Lch、Rch を別々に2つのサブウーファーに接続する場合：接続：図5

このサブウーファーは、プリアンプからのラインレベル出力のない2チャンネルインテグレートッド（プリメイン）アンプと共に使用するには適していません。

2つ以上のサブウーファーの使用

1つのシステムに2台以上のサブウーファーを使用することによって、以下のように性能が改善されます。

- ステレオセパレーションを最低域周波数まで維持できます。
- より大きなリスニング・ルームにも対応できます。
- より大きな最大サウンド出力が可能になります。ホーム・シアターに用いると、特殊効果を効果的に再現するのに役に立ちます。
- 低域周波数の部屋共鳴の効果を取り除くことができます。

2チャンネル・オーディオに2台のサブウーファーをお使いの場合に、それぞれのチャンネルにそれぞれサブウーファーがあれば、ステレオセパレーションが向上します。ただし、それぞれのサブウーファーが関連するサテライト・スピーカーの近くに置かれていなければなりません。各々のサブウーファーをサテライト・スピーカーの近くに置けない場合のみ、図4にあるモノ接続を使用してください。

接続は二重にチェックしてください

アンプ・パネルに表示されている電圧と、電源に表示されている電圧が同じことを確認してください。

新しいシステムの音質を点検し微調整する前に、接続は二重にチェックしてください。コントロールをどのように設定してもよい音が得られない時、実は接続がどこかおかしい可能性があります。確実に以下のことを行ってください。

- フェイズ（位相）調整が正しいことサテライト・スピーカーへの正から負の接続はありません。

ん。位相がどこかおかしい場合は、不正確で聞いた感じの濁った音になる、低音が十分出ない、あるいはこの2つが組み合わさったような音とすることがあります。

- Lch と Rch の混同がないことこれによって例えば、オーケストラの音が反対になったり、質の悪い音に動きや逆方向になったりすることがあります。

スイッチの切り替え

パワー・アンプがサブウーファーから信号を受け前にサブウーファーのスイッチをオンにするようお願いします。同様に、スイッチをオフにするときは、サブウーファーのスイッチは最後にオフにしてください。

モード・オン/オフ/スタンバイ・スイッチ (4) は、アンプを電源から完全に遮断しません。補助センサー回路には低レベルの電源入力も維持されています。

スイッチ (4) は次のように作動します：

オン：
スイッチがこの位置にあるときは、アンプは常にフルに動作する状態で、ランプ (1) は緑色になります。

オート：
スイッチがオートになっていると、最初にパワーオン/オフ・スイッチをオンにしたときアンプは動作状態になり、ランプ (1) が緑色に光ります。入力信号が約5分間無い場合は、アンプは自動的にスタンバイ・モードに戻り、ランプは赤になります。入力信号が探知されると、アンプは自動的に動作状態になり、ランプは緑色になります。

スタンバイ：
スイッチがこの位置にあるときは、アンプは常にスタンバイの状態で、ランプは赤になります。

サブウーファーを長期間使わないときは、パワーオン/オフ・スイッチ (1) を使うか電源プラグをコンセントから抜いて、電源から完全に遮断しておくことをお勧めします。

コントロールの設定

調整するコントロールは5つあります。

- ボリューム・コントロール (2)
- ローパス周波数コントロール (3)
- フェイズ・スイッチ (7)
- ローパス・フィルター・スイッチ (6)
- EQ (イコライザー) スwitch (5)

最適な設定は、サブウーファーと共に使用される他の機器によります。2台以上のサブウーファーをご使用の場合は、必ずそれぞれのウーファーのコントロールを同じように設定してください。

ホームシアター用デコーダーと共に使用する場合

B&W ASW サブウーファーは、THX のライセンスのあるコンポーネントではありませんが、ご希望であればTHXコントロールと共同で使用することができます。

- デコーダー・ボリューム・コントロールを、真ん中 (12時) の位置に設定します。
- ローパス周波数コントロールの設定をする必要はありません。
- ローパス周波数スイッチをオートに設定してください。
- EQ スwitch を最初はAの位置に設定してください。

- フェイズ・スイッチを最初は0°に設定してください。

「微調整」の部も参照してください。

THXコントローラーをお使いの場合は、サブウーファー機能が作動していることを確認してください。作動するように設定されていない場合は、THXコントローラーがサブウーファーに必要なあらゆるモードのあらゆるフィルタリングおよびレベル設定を行います。レベルの調整には、THXコントローラーの内部テスト・ノイズおよびチャンネル・レベル・コントロールを使用します。あらゆる場合においてレベルは、リスニング・ポジションで、コントローラーの内部テスト信号から75dB SPL (C-weighted) が得られるように設定してください。

その他のデコーダーをお使いの場合は、レベルを設定する前に、フロントスピーカーおよびサラウンドスピーカーを「ラージ」または「スモール」のいずれか適切な方に合わせてください。すべてのスピーカーのレベルを設定するには、デコーダーの内部テスト・ノイズ信号とボリューム・コントロールを使用してください。正しいレベルを得るのに十分な変化量がデコーダーにない場合のみ、サブウーファーのボリューム・コントロールを変えてください。

安価なサウンド・レベル・メーターは、電子機器で簡単に手に入りますので、レベルの調整に利用してください。レベル設定の方法に関する詳細については、コントローラーの取扱説明書を参照してください。

2チャンネル・オーディオに使用する場合

- ボリューム・コントロールを最初は半分の位置(12時)に設定してください。
- ローパス周波数を最初は80Hzに設定してください。
- ローパス周波数スイッチをインに設定してください。
- EQスイッチを最初は位置Aに設定してください。
- フェイズ・スイッチを最初は0°に設定してください。

「微調整」の部も参照してください。

微調整

EQスイッチには2つの設定があります。位置Bは、サブウーファーが最も高いリスニング・レベルを出せるよう最適化されたもので、位置Aは、低音の増強をより大きくし、より緊張感のある音を出します。

2チャンネル・オーディオ

フェイズ・スイッチとローパス周波数コントロールの最適な設定は相互関連しており、また、サテライト・スピーカーの低域周波数特性や、システムにおけるあらゆるスピーカーの相対的な位置にも左右されます。

お好みの位置でシステムを設定し、何か安定した低音の入った曲を演奏してください。ローパス周波数の最適な設定はいくつかの要因によります。すなわち、サテライト・スピーカーの低音性能や換えるパワー、使用するサブウーファーの数、また、サテライト・スピーカーとサブウーファーの位置関係などです。80Hzから90Hzの範囲はローパス周波数にとっては適切な出発点となります。別々のLch、Rchの情報維持するために2台のサブウーファーを使用し、その2台のサブウーファーが、関連するサテライト・スピーカーの近くに置かれている場合を除いては、高いカットオフ周波数を用いるとステレオ・イメージが悪くなる

場合があるので、サテライト・スピーカーの低音性能がとりわけ制限されている場合にのみ使用することを考えてください。

カットオフ周波数の各設定において、両方の位置でフェイズ・スイッチを用いて聴いてください。正しい設定では最もふくよかな低音が得られ、またそれは、サテライト・スピーカーの低音特性や、サブウーファーとサテライト・スピーカーそれぞれリスナーまでの相対距離に左右されるものです。2台以上のサブウーファーをご使用の場合は、それぞれのサブウーファーのカットオフ周波数とフェイズ・スイッチが同じように設定されるようにしてください。

サテライト・システムに対するサブウーファーの音量バランスはお好みに設定してください。平均的な設定を行うには、様々なプログラムソースを用いてみてください。ある曲で印象的な音が出る設定でも、別の曲に対してはパワー過剰だったりします。現実的な音量で聴いてください。バランスの感覚はサウンド・レベルによって異なります。

ホーム・シアター

ホーム・シアターで使用する場合は、2チャンネル・オーディオの場合とは状況が少し異なってきます。サブウーファー (LFE) 信号は、サテライト・スピーカーへの信号の延長ではなく、別のチャンネルです。ローパス・フィルターはディフェルトにしてください。デコーダーが「スモール」に設定されたすべてのスピーカーのフィルタリングを行います。しかし、フェイズ・スイッチの位置は設定しなければなりません。通常、フェイズは0°に設定してください。サブウーファーが他のスピーカーとはかなり異なった距離に置かれている場合や、他のスピーカーを動作させるパワーアンプがたまたま信号を逆にしてしまう場合は、180°の位置が望ましいでしょう。スイッチを両方の位置に設定して試聴し、最も完全な音が出る位置を選んでください。何ら大きな違いがなければ0°の位置に設定してください。

デコーダーには通常、全スピーカーの相対レベルを設定するのに用いる調整されたノイズ信号があります。このため、2チャンネル・オーディオよりは作業がいくらか簡単になります。しかし、遠慮せずにご自分の好みに合わせて設定を変えてください。すぐに、このサブウーファーの能力、特にいくつかの特殊な低周波数効果には夢中になれることと思います。サブウーファーのレベルを標準調整レベルよりも低く設定すると、よりリアルな音響が得られ、長期的にはよりご満足いただけると思います。

すべての用途

低音が粗い感じがするといった問題、すなわち、ある低音が他の音よりも強調されすぎる場合、それは、部屋の影響があるためです。サブウーファーの設置をいろいろ変えてみてください。設置場所については小さな変化—15cm (6インチ) ほどでも、音響に対しては大きな影響を与えることがあります。サブウーファーを床から上げてみたり、横に動かしたりしてみてください。複数のサブウーファーをご使用になると、部屋の共鳴効果をなめらかにすることができます。というのもそれぞれサブウーファーは異なった周波数で共鳴を増幅させる傾向があるからです。リスナーからサブウーファー(1つまたは複数)およびサテライトスピーカーまでの相対距離を大幅に変えた場合は、フェイズ・スイッチの設定をもう一度確認してください。サブウーファーのレベル設定をチェックすることもできますが(デコーダーの出力レベルがサブウーファー・アンプのボリューム・コントロールのいずれかに適切な方を用いて)、これは、フェイズを正しく設定してからにしてください。

サブウーファーのお手入れ

サブウーファーのキャビネットは、乾いた布で埃を払う程度できれいになります。スプレー式のクリーナーをお使いになる場合は、キャビネットに直接スプレーしないで布にスプレーしてください。まずグリルを外してグリルの布が汚れないようにしてください。グリルを外している間はドラッグ・ユニットに触れないように気を付けてください。グリルは柔らかいブラシで清掃してください。

サブウーファーをテーブルとして使用しないでください。テーブルのように使用すると、サブウーファーの上に乗った物がたがた揺れます。特に、液体がこぼれないようにしてください(例えば、飲み物や花瓶など)。

システムを長期間使用しない場合は、サブウーファーを電源から抜いてください。

ご注意: サブウーファーは過大な信号が入ると自動的に電源が切れます。このようなときは、後面のアンプ部に付いているパワーオン/オフ・スイッチ(12)を一旦オフにし、再度オンにするとし resett されます。

中文

有限擔保

尊敬的顧客

歡迎選購 B&W 產品。

本產品的設計和製造滿足最高的質量標準。但是，如果本產品確實出現了問題，不論在由正式的 B&W 銷售商服務的任何國家，B&W Loudspeakers 和它的國內銷售商都將保證提供免費更換部件。

該有限擔保的有效期為自購買日起 5 年，或對包括揚聲器在內的電子設備有效期為 2 年。

條款

- 1 該擔保僅限於設備的修理。它不包括產品的運輸和任何其他費用，也不擔保任何由於產品的搬動、運輸和安裝引起的風險。
- 2 該擔保只對原有者有效。不可轉讓。
- 3 該擔保僅適用於由於在購買時存在的材料和/或做工缺損所引起的故障，它不適用於：
 - a 由於不正確的安裝、連接和包裝造成的損壞；
 - b 由於沒有按照用戶說明書中闡述的正確使用方法使用、粗心大意、改裝、或使用未經 B&W 認可的部件而造成的損壞；
 - c 由於不完善的或不適合的輔助設備造成的損壞；
 - d 由於事故、閃電、水、火、熱、戰爭、公共騷亂或任何其他在 B&W 和它指定的銷售商們的合理控制之外的原因造成的損壞；
 - e 序號被更改、擦塗、去除或使無法辨認的產品；
 - f 如果經非指定人員修理或改裝過；
- 4 該擔保是對銷售商或國內批發商的任何國家/地區的法律責任的補充，它不影響你作為顧客的法定權益。

如何要求擔保維修

如果需要服務，請按下列步驟進行：

- 1 如果設備是在購買的國家使用，你應當與 B&W 所指定的銷售了該設備的銷售商聯繫。
- 2 如果設備是在購買的國家以外使用，你應當與居住國的 B&W 國內銷售商聯繫，它們會告訴你那里可以修理設備。你可以打電話給英國的 B&W 或訪問我們的網站來獲取你們當地銷售商的聯繫詳情。

為使你的擔保生效，你需要在購買的當天填好這個擔保手冊，并由銷售商蓋章。或者，你需要有原始發票或具有所有權和購買日期的其他憑證。

用戶說明書

重要的安全指標



警告：

為免受到電擊的危險 請勿打開機後的蓋板和不可置放於容易被弄濕影響的地方。內部沒有可供用戶使用的部件。有關維修服務的問題，請向專業人員諮詢。

圖示說明：



等邊三角形內的閃電符號是用來提醒您注意：產品內部的未絕緣“危險電壓”足以對人體產生電擊。



等邊三角形內的感嘆號是用來提醒您注意：隨本產品附有重要的操作及維護（維修）說明書。

警告事項：

- 1 閱讀說明書：在使用本電器之前，應閱讀所有安全及操作說明書。
- 2 保存說明書：應保存好安全及操作說明書，以供日後使用。
- 3 注意警告事項：應遵循電器及操作說明書中的所有警告事項。
- 4 遵循說明書：應遵循操作及使用說明書所述的所有內容。
- 5 裝置：應遵循由廠方提供的裝置說明書的內容裝置。
- 6 電源：只能根據後面蓋板標識的電源種類使用該電器。如果不能確定所在地的電源種類，請向該產品經銷商或當地供電公司諮詢。
- 7 接地或極性：本電器不需接地連接。確保插頭完全插入牆壁上的電源輸出口，避免引腳裸露。個別產品型號配有適用於交流電源插頭（該插頭的引腳比其他插頭的引腳要寬）的電源線。該插座只能單向插入電源輸出口，因這是一種安全性插頭。如果不能完全將插頭插入電源輸出口，請按相反方向再次插入。如果插頭仍不適用，則請電工更換電源輸出口。不要破壞該極性插頭的安全性。當使用延長型電源線或其他電源線時，這些導線應與適合之模壓插頭相匹配，並執行使用該電器所在國的相應的安全標準。
- 8 電源線保護：應佈置好電源線，不能重疊或壓緊，特別要注意插頭處的電源線，插座的方向性及從電器輸出口後的位置。
- 9 超載：不要使牆壁（外線）電源輸出口、延長型電源線、或插座整體的負荷過重，因為這會導致火災或電擊危險。

- 10 通風：產品後部的放大器面板形成了散熱裝置，不許將其放在床上、沙發、毯子或其他類似物體的表面，並將其遮蓋。不可放置任何物件於放大器面板上，例如桌布和報紙等。確保散熱片沿垂直方向對齊，以保證良好的冷卻效果。產品放置於距離牆壁至少有 50 毫米（2 英寸）的空間。產品如被放進嵌入式裝置，例如層架、書架，必須提供足夠空氣循環，更需符合以下兩種條件：a) 頂面、底部和砍兩邊與櫃壁至少有 12 毫米（1/2 英寸）距離的空間用作通風用途。b) 機背後面須預留 150 方厘米（24 方吋）闊：300 毫米（12 英寸）x 深：50 毫米（2 英寸）。

- 11 熱：本產品應遠離熱源，如：輻射裝置、暖氣機、爐或其他發熱裝置（包括放大器）。這些產品會產生熱量，置放於遠離有火焰的地方例如燭燭。
- 12 牆壁式或天花板安裝：只能根據製造商的推薦，在牆壁上或天花板上安裝該產品。
- 13 水份及濕氣：不要在近水處使用該產品，例如：浴缸、洗臉盆、炊具、洗衣盆、潮濕牆腳處，游泳池附近等地。
- 14 物體及液體的進入：絕不許通過入口把物體置入該產品內部，因為這可能會碰到危險電壓內部，或可能引起火災或電擊的部件短路。絕不允許任何液體滲入該產品。
- 15 清潔：在清潔之前，從牆壁電源輸出口拔出插頭。使用乾布清潔超低音的箱體，如需要使用清潔劑時，請將清潔劑噴射於布上來清潔，不可將清潔劑直接噴射於機箱面上。清潔時先將網面小心地移開，以免網面受污染及單元受損。清潔網面時用柔軟的刷子。
- 16 附加裝置：不要使用非本產品製造商推薦的附加裝置，因為這可能會產生危險。
- 17 附件：不要把該產品置於不穩定的手推車、支架、三角架、托架或台桌上。否則，該產品可能會掉下，從而對小孩或成人引起嚴重事故。只能使用製造商推薦的或隨本產品出售的手推車、支架、三角架、托架或台桌。不管以哪種方式安裝該產品，都應按照製造商的操作說明書，並使用製造商推薦的安裝附件。

- 18 移動該電器：用手推車運送時，應小心謹慎。突然停止太快、用力過猛或路面不平都可使該產品或手推車翻倒。檢查地毯下方應沒有可能被釘腳損壞的電纜線。不應將該產品置於釘腳上，因為這樣，產品會從櫃檯中掉落，並引起損壞。小心注意安全，不要被釘腳刺傷。

- 19 停用期間：當天氣變得惡劣（狂風、閃電）或長期不用該電器時，應從牆壁電源輸出口拔出電源線插頭。



20 維修：不要試圖自己維修該產品，因為開啟或拔出蓋子都可能使您面臨危險電壓或其他危險因素。需要維修時，請 B&W 認可專業維修人員進行維修。

21 損壞性維修：從牆壁電源輸出口拔出電源插頭，並在下列情況下，請 B&W 認可專業維修人員維修：

- a 電源線或電源插頭被損壞；
- b 液體濺入或其他物體掉入該電器內部；
- c 本產品裸露在雨或水中；
- d 按照說明書所述的操作方法，該產品仍不能正常工作。只需調節操作說明中提到的控制開關，但對其他控制開關的不當調節會引起損壞，並經常需要 B&W 認可專業人員的額外維修，以使其恢復到正常的工作狀態；
- e 本產品掉落在地或遭到各種方式的損壞；
- f 當產品性能發生明顯變化時，這表明需對其進行維修。

22 替換用部件：當替換部件時，一定要保證維修人員所使用的部件是製造商規定的部件，或該部件應與原部件具有相同的性能。用不適合之部件進行更換，可能會引起火災、電擊或其他危險。



23 主保險絲：為長期保護器材，以免發生火警危險。必須使用正確型號保險絲。雖然，此擴音機是設計於 100V 至 230 VAC 工作，但不同型號需配合正確保險絲（視乎電壓供應）。正確保險絲資料於每產品資料中說明。

24 安全檢查：在維修結束時，應請維修人員進行安全檢查，以確認產品處於良好的工作狀態。

25 磁場：本產品會產生游離性靜電磁場。請不要在電器周圍 0.5 米（2 英尺）以內的地方放置可能被該磁場損壞的物體，如：陰極射線管、電視或電腦顯示器、聲訊磁帶及插板。該電器可使此範圍內的陰極射線管之圖像失真。

警告：

注意：120V 的產品都配備了一條連極性插頭的電源線。為了避免觸電，應將相同寬度的插片完全插入插孔內。

保證插頭完全插入牆上的插座或加長線（拖板）內，防止插片或插腳外露。

為了防止發生觸電危險，切勿讓設備受到雨淋或放置在潮濕處。

留意設備本身的各種警告。

為了避免觸電，切勿打開機殼或拆除放大器的背面板。內部並沒有可以由用戶維修的部份。任何維修都應該由合格的 B&W 零售商進行。



此功能適合電壓是 100V 到 240V 交流電。為確保主保險絲電壓與用戶所在地電壓相同，保險絲之規格如下：

100V, 120V T6.3A H 250V
220V, 240V T3.15A H 250V

電源保險絲位於放大部分的背面板上，更換的保險絲必須是設備上標明的同一型號產品和具有同一額定值的產品。

此產品為雙重絕緣設計，無需接地線（水線）。

保證設備有足夠的通風。切勿妨礙背面板附近的空氣流通。勿阻擋或堵塞面板上的通風孔。勿將設備放在書架、雜物架、櫃子或杯碟櫃內使用，除非設備的背後有足夠大的空間和適當的通風。

檢查有沒有電線被壓在地毯下，以防被釘腳壓壞。

放置在釘腳上的設備，切勿踩踏，以免機箱鬆脫，導致設備損壞。

在搬移設備時切注意勿讓釘腳刺中你自己。

導言

感謝您購買 B&W CDM 有源超低音音箱。

B&W 建廠於 1966 年，歷史悠久。B&W 的營運宗旨一直是追求絕妙的音響重放。在公司奠基人約翰·鮑爾斯的鼓勵下，這種追求不僅需要大量投資於音響技術的運用和革新方面，而且必須遵從人們對音樂的評價標準和滿足電影音響界的要求，以確保各種技術都能發揮其最大的威力。

B&W CDM 超低音音箱專門為家庭影院安裝而設計，用於增強 2 聲道音響設備之音箱的低頻表現。在你的音響系統中裝上此超低音音箱，不但擴闊了低音頻率範圍，又可降低你現有音箱的低頻部份而提高中高頻段的清晰度。

在使用這種重低音揚聲器之前，請從頭到尾閱讀一遍本說明書。所有音響設備的使用都需要有一定的計劃和經驗，才能充分發揮所用設備的潛力。本說明書在這一方面將會向你提供適當的指引。

由於這種重低音揚聲器是接到交流電源上的，所以你一定要熟悉有關的安全守則和留意各種安全警告。

請將本說明書妥善保存，以便日後查閱。

B&W 產品遠銷世界各地 60 多個國家，我們的國際經營網路由精挑細選的專業代理商組成。如果你到你的經銷商無法解決你的疑難問題，我們的代理商將會非常樂意幫您解決問題。

開箱

(圖 1)

最容易而且不會損壞重低音揚聲器的開箱方法如下：

• 正確地打開紙箱的掩蓋，把紙箱連同裡面的東西翻過來。

• 提起紙箱，留下裡面的東西。

我們建議你保存包裝材料，日後可能還用得著。

除了這一份說明書之外，紙箱內還應有以下物品：

- 1 隻重低音揚聲器
- 1 個附件包，其中有
 - 4 隻橡膠腳
 - 4 隻釘腳
 - 4 隻鎖緊螺母
- 1 張國際保證書

瀏覽一下重低音揚聲器的重要附件

(圖 2)

- 1 開機 / 待機指示燈
- 2 音量調節鈕
- 3 低通頻控制
- 4 開 / 自動 / 待機功能控制鈕
- 5 均衡器開關
- 6 低音濾波消除制
- 7 相位控制
- 8 輸入接口
- 9 輸出接口
- 10 聯出接口
- 11 電源開 / 關
- 12 保險絲座
- 13 電源輸入插座

重低音揚聲器的擺位

重低音揚聲器只會發出低音，因此，與全音域揚聲器相比，其擺位顯得不那麼重要。由於低音的方向性極弱，所以有更多的擺位方式可供選擇，不會影響該揚聲器的收音效果。這就是說，重低音揚聲器無論是放置在衛星揚聲器之間還是靠近某一隻衛星揚聲器，人們都可以取得最佳的效果。如果採用兩隻重低音揚聲器，最好是在每一隻衛星揚聲器的旁邊各放置一隻重低音揚聲器。

將重低音揚聲器放置在聆聽位置的後面，即使是用來欣賞環繞音，也往往不會有明顯的聲像定位感。但這種擺位如果遭受家庭成員反對，也可以改用大家都可以接受的折衷辦法。

和所有揚聲器一樣，重低音揚聲器靠近牆壁放置也會影響其音響效果。揚聲器靠近牆壁越多，低音就越強。但是和全音域揚聲器不同，重低音揚聲器只要適當地調整其音量，往往可以使整個系統恢復正確的平衡。房間對音響的提升作用越大，揚聲器的工作就越顯得輕鬆，但是也有一定的限制。牆角通常會對低音產生更強的提升作用，使低音和其它頻率成分失去平衡。在這一方面，必須經過實驗才能取得最佳的效果，因為不同的房間有不同的音響特性，必須試將重低音揚聲器放置在不同的地方才能找出最

佳的位置。試播放低音漸升或漸降的一段音樂有助於鑒定低音響應的平滑性。此時要注意聆聽那些特別誇張或特別平靜的音符。加上一隻重低音揚聲器能使你獲得最佳的房間混響效果，而最佳的聲像定位則要靠衛星揚聲器的擺位。

如果重低音揚聲器周圍的空間很狹小（例如夾雜在傢具中），四周更須要有足夠的通風，使音箱內的電路得到充分的散熱。這一方面，請聆聽銷售商的建議。

重低音揚聲器的標準附件中有四枚釘腳。這些釘腳會穿過地墊，使音箱的重量由地面直接支撐，因而不會壓壞地毯的絨毛。

如果要將音箱放置在容易受傷的平面上（例如木地板地面），可以在每一釘腳下加一小片圓保護墊，或者不用釘腳，改用四隻橡膠腳。

安裝橡膠腳或釘腳時，首先要將鎖定螺母擰緊，然後再將四隻釘腳擰入音箱底部的螺紋孔內。如果音箱有震動，可鬆開有關的一對釘腳進行調整，直至音箱穩固後再重新擰緊鎖定螺母。

確實檢查地墊下沒有連接線材以給腳釘弄損。

當安裝腳釘後，切勿把音箱推行，以免腳釘脫落及損壞箱體。

當移動音箱時，應當小心腳釘，以免身體受損。

接駁

將音響系統中所有設備的電源切斷後才能進行信號線的接駁和檢查工作。這是為了防止在接駁期間發生意外，損壞設備。

重低音揚聲器的作用是接收來自放大部份的信號，對於雙聲道的音響系統，需要將信號分為低音成分和較高的頻率成分後再送往重低音揚聲器的驅動部份。

本重低音揚聲器的線路電平信號輸入和輸出都通過背面板上的 RCA 插座完成。

你的音響系統可以利用下表來選擇正確的接線方法：

應用：家庭影院

本重低音揚聲器可以配合任何一種帶線路電平重低音輸出（通常由一個 RCA 插座輸出）的解碼器使用。大多數附有功率放大部份的解碼器都能夠以線路電平輸出重低音或低頻效果 (LFE) 信號。

- 解碼器配合一隻或多隻重低音揚聲器使用（圖 3）。

應用：雙聲道音響系統

獨立的前級和後級放大器：

- 一隻或多隻重低音揚聲器配合輸出合成單聲道信號使用（圖 4）。
- 兩隻重低音揚聲器配合左右聲道信號使用（圖 5）。

ASW CDM 超低音音箱不適用於 2 聲道內置功率放大器。

使用多於一隻的重低音揚聲器

在一個音響系統中，使用多於一隻的重低音揚聲器，對音響效果有如下的改善：

- 使最低音仍保持立體感。
- 對付較大的聆聽室。
- 增強音響的最大輸出——常可以在家庭影院取得明顯的特殊重放效果。
- 使房間的低頻響應更平滑。

如果你在雙聲道音響系統中使用兩隻重低音揚聲器，讓每一聲道擁有自己的重低音揚聲器，並將重低音揚聲器放置在相應的衛星揚聲器旁邊，將有助於改善立體聲的分隔度。如果不能把重低音揚聲器放置在相應的衛星揚聲器旁邊，便只能使用圖 4 所示的單聲道接法。

反復檢查接線

在試聽新安裝的音響系統的音質和深入調校之前，應該反復檢查接線。我們經常遇到用戶投訴說：“無論怎樣調校，都無法獲得像樣的音質”。經我們檢查後發現，實際原因只是接線錯誤。因此，務祈確認：

- 相位正確——衛星揚聲器上的接線沒有正負反接。如果相位錯誤，聲音將會變得含糊，聲像定位不準而且浮動不定，缺乏低音，或不止一種毛病。
- 左右聲道沒有調錯——果左右聲道接反，就會造成混亂，例如在聽音樂時，各種樂器的位置錯誤；更嚴重的是，家庭影院中的聲音和屏幕上的圖像活動方向相反。

開關的通斷

我們建議，讓任何功率放大器接收重低音揚聲器的輸出信號之前，先接通重低音揚聲器的電源。同理，關閉電源時，重低音揚聲器的電源應在最後關掉。

功放面板左上角的（待機/自動/開啟）(4) 功能控制鈕並不能使同電源徹底斷路，副感電路中還有少量低壓電輸入。

開關 (4) 的操作方法如下：

接通：
該開關處於這一位置時，放大器將會保持通電狀態，指示燈 (1) 發出綠光。

自動：
重低音揚聲器一接到自動檔，放大器即進入工作狀態，指示燈 (1) 發出綠光。如果經過 5 分鐘左右仍沒有信號輸入，放大器會自動回復到備用狀態，指示燈發出紅光。當檢測到輸入信號時，放大器會自動進入工作狀態，指示燈又會發出綠光。

備用：
在這一位置時，放大器保持等候狀態，指示燈發出紅光。

如果您長期不使用超低音音箱，我們

建議按下 power（電源）開關 (11) 關閉電源或將電源線拔離電源插座，使音箱徹底斷路。

控制器的設定

有五個控制器可供設定：

- 音量控制器 (2)
- 低通頻率控制器 (3)
- 低通濾波器開關 (7)
- 相位開關 (6)
- EQ (均衡) 開關 (5)

最佳設定取決於配合重低音揚聲器使用的其它設備。如果所用的重低音揚聲器不只一隻，則須確保每隻重低音揚聲器上的控制器設定都一樣。

配合家庭影院解碼器使用

B&W ASW 有源超低音音箱不是 THX®，認證產品部件，但你仍可以用 THX®，控制器配合這音箱使用。

- 將解碼器的音量控制器設於中途位置（12 點的時針位置）。
- 低通頻率控制器的設定與此無關。
- 先將相位開關設定為 0 度。
- 將低通頻率開關設於 OUT 處。
- 先將 EQ 開關設定為 A 檔

請參閱“微調”部份。

如果你擁有 THX® 控制器，須確保重低音揚聲器起作用。採取這種設計方案時，將涉及重低音揚聲器各模式所需的各種濾波器設定和聲壓級設定。要進行聲壓級校正，須利用 THX® 控制器中的內部測試噪聲和聲道電平控制器。在任何情況下，都應該將電平設定至控制器內部噪聲測試信號的聲壓級在聆聽位置達到 75 分貝 (C 加重)。

使用其它解碼器時，在設定聲壓級之前，宜先將正面聲道和環繞聲道的揚聲器分別設定為“大”和“小”。利用解碼器的內部噪聲測試信號和音量控制器來設定各揚聲器的聲壓級。如果靠解碼器的調節範圍未能達到正確的聲壓級，才更改重低音揚聲器上的音量控制器。

在一些電子器材商店中很容易買到廉價的聲壓計，可以用來校正聲壓級。有關如何設定聲壓級的細節，請參閱你的解碼器說明書。

用於雙聲道音響系統

- 先將音量控制器設於中途位置（12 點的時針位置）。
- 先將低通頻率設定為 80Hz。
- 將低通頻率開關設於 IN 處。
- 將 EQ 開關設於 A 檔。
- 先將相位開關設為 0 度。

請參閱“微調”部份。

微調

EQ 開關有 A、B 兩檔。置於 B 檔時的

最佳效果是可以使重低音揚聲器提供最高的聲壓級；而置於 A 檔時則可以提供較大的低音延伸和更豐滿的音響效果。

雙聲道音響系統

相位開關和低音頻率控制器的最佳設定會互相牽制，而且還與衛星揚聲器的低音截止特性、系統中各揚聲器的擺位有關。

將音響系統設定至個人喜好的狀態後，試播放某些含有穩定低音成分的音樂節目。低音頻率的最佳設定取決於不同的變數，例如衛星揚聲器的功率分配和低音表現、所用的重低音揚聲器的數量以及它們相對於衛星揚聲器的位置等都會影響低音頻率的最佳設定。對於低音頻率，80 ~ 90Hz 這一範圍應該是一個合適的起始值。使用較高的截止頻率可以取得較好的立體聲像，如果衛星揚聲器的低音性能特別差，可以考慮使用這一招，否則就要採用兩隻重低音揚聲器並且將它們放置在相關的衛星揚聲器附近來改善左右聲道的信息分隔度。

每次設定截止頻率時，都要切換相位開關的位置進行比較試聽。當位置正確時，可以聽到最豐滿的低音，而且與衛星揚聲器的低音特性以及重低音揚聲器和衛星揚聲器至聆聽位置的相對距離有關。如果使用的重低音揚聲器不只一隻，就要確保每一隻重低音揚聲器的截止頻率和相位開關的設定方法都一樣。

將重低音揚聲器相對於衛星揚聲器的響度設定至你喜歡的程度。此時可以利用各種各樣的音樂信源進行設定，取其平均值。某一響度可能對某段樂曲的表現最為適當，而對另一段樂曲則顯得過強。以實際聲壓級聆聽可以感受到聲壓級變化的平衡情況。

家庭影院

家庭影院的情況稍異於雙聲道音響系統。重低音 (LFE) 信號是一個獨立聲道，而不是從衛星揚聲器信號中抽取的延伸成分。此時，應該關掉低通濾波器，因為解碼器可以為所有設定為“小”的揚聲器提供全部的濾波功能。不過，相位開關的位置仍須通過試聽後才能決定。通常是將相位設定為 0 度，但如果重低音揚聲器的放置距離與其它揚聲器有顯著的不同，或者用來推動其它揚聲器的功率放大器碰巧使信號反相，則將相位設定改為 180 度可能有更好的效果。因此最好是在該相位開關的不同位置處試聽一下，然後選擇聲音最好的位置。如果兩種位置差別很少，則仍讓開關位於 0 度。

解碼器通常都可以輸出一個經過校正的噪聲信號，不妨用它來設定所有揚聲器的相對聲壓級，這一任務比調校雙聲道音響系統稍為簡單。不過，切勿害怕改變設定來迎合個人的喜好。有了這種重低音揚聲器，完成這一任務簡直易如反掌，要取得某些低音效果尤為容易。通常只須將重低音揚聲器的聲壓級設定為低於標準的校正值，就可以獲得更高的真實感，而且可以長期保持滿意。

其他用法

如果你發現低音不夠穩定，起伏無常，例如某一低音音符比其它低音音符誇張，則可能是和房間的音響特性匹配有問題。此時不妨試改變重低音揚聲器的擺位。有時只須將重低音揚聲器的位置稍作移動，例如變化 15 厘米 (6 吋)，就會取得奇妙的效果。另外還可以提起重低音揚聲器，使它離開地板或者橫向移動試試。改用多隻重低音揚聲器時可以使房間的諧振作用變得平滑些，這是因為每一隻重低音揚聲器所容易激發的諧振頻率略有不同。有時可能需要改變重低音揚聲器和衛星揚聲器至聆聽位置的相對距離，或者需要重新設定相位開關的位置。你也不妨檢查一下重低音揚聲器的聲壓級設定 (可以利用解碼器的輸出電平或重低音揚聲器放大部份上的音量控制器)，但這一招必須在相位設定正確的前提下才能採用。

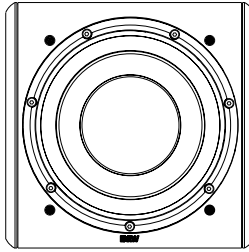
重低音揚聲器的保養

重低音揚聲器的音箱上的灰塵可以用乾布抹淨。如果你想使用清潔噴劑，切勿直接將清潔液噴向音箱，應該噴在抹布上使用。最好是先將防護罩拆除，以免把抹布弄髒，但是要小心翼翼地打掃驅動單元的紙盆。防護罩本身則可以用軟刷清掃。

切勿把重低音揚聲器當作茶几使用。放置在重低音揚聲器上的物體很容易因受到振動而發聲。尤其要避免有液體倒瀉的危險 (例如飲料或花瓶等)。

如果整個音響系統長期不用，應將重低音揚聲器的電源線從電源插座上拔出。

注意：如果電源過載這超低音音箱將自動關閉。出現這種不正常關閉時，通過按下電源開關把超低音音箱關閉後再開啟以重置系統。



ASW CDM

Description	Active vented-box subwoofer system
Drive units	300mm (12 in) paper/Kevlar® cone long-throw
System frequency range	-6dB at 15Hz and 40/140Hz adjustable (EQ at A)
System frequency response	-3dB 20Hz – 31/110Hz adjustable (EQ at A)
Amplifier	Power output: 1000W continuous Input impedance: 33k Ω Signal / noise: >90dB Functions: Input level Low-pass filter frequency Low-pass filter bypass Bass roll-off alignment Auto sense on/standby Phase switch Inputs: Line In (RCA Phono) Outputs: Line Out (RCA Phono) high-passed Link Out (RCA Phono)
Low-Pass Filter	Active 2nd-order, variable cut-off frequency
High-Pass Filter	Active 3rd-order -6dB at 80Hz
Dimensions	Height: 392mm (15.4 in) not including feet Width: 396mm (15.6 in) Depth: 490mm (19.3 in) including grille and controls
Net Weight	32.5kg (72 lb)

B&W Bowers & Wilkins

B&W Loudspeakers Ltd
Dale Road
Worthing West Sussex
BN11 2BH England

T +44 (0) 1903 221800
F +44 (0) 1903 221801
info@bwspeakers.com
www.bwspeakers.com

UK Sales Enquiries and Service
T +44 1903 221 500
E uksales@bwspeakers.com

B&W Loudspeakers of America
T +1 978 664 2870
E marketing@bwaudio.com

B&W Loudspeakers (Asia) Ltd
T +852 2 790 8903
E bwahome@bwspeakerasia.com.hk

Kevlar is a registered trademark of DuPont.
Nautilus is a trademark of B&W Loudspeakers Ltd.
Copyright © B&W Loudspeakers Ltd. E & OE
Design by Thomas Manss & Company.
Printed in the UK.